

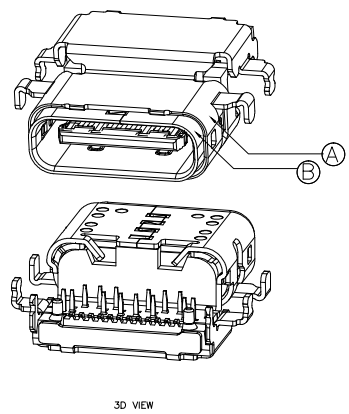
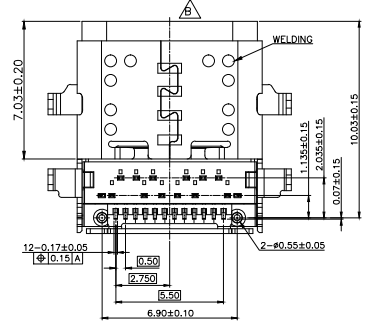
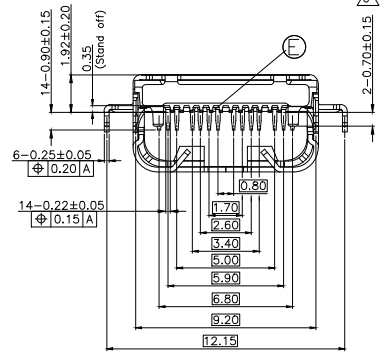
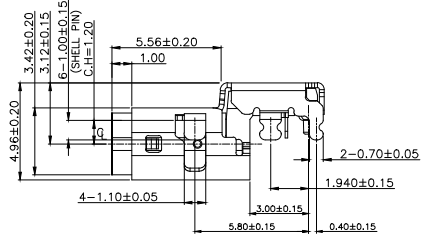
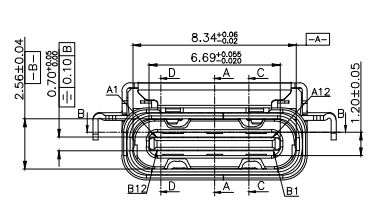
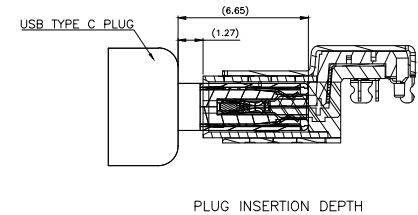
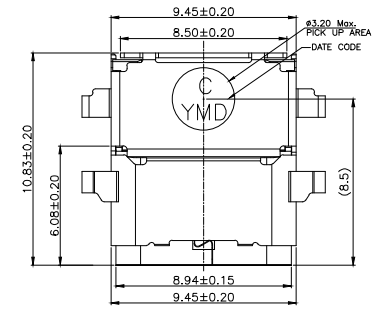
REV.	ECN NO OR DESCRIPTION	REVISED	DATE
A	PDR RELEASE	EVEN	2022.04.29
B	PDR NO: L202205-C02	EVEN	2022.06.10
C	PDR NO: L202209-R01	EVEN	2022.11.10

SPECIFICATIONS:

- ELECTRICAL CHARACTERISTICS:
 - CURRENT RATING: 5.0A
 - VOLTAGE RATING: 20.0 V
 - LLCR: VBUS& GND PINS: 40mΩ/PIN MAX
OTHER PINS : 40mΩ/PIN MAX
LLCR MAX. CHANGE OF ALL PINS: 10mΩ
 - INSULATION RESISTANCE: 100MΩ MIN
- MECHANICAL CHARACTERISTICS:
 - INSERTION FORCE: 0.5~2.0kg.
 - WITHDRAWAL FORCE: 1.4~2.0kg.(INITIAL) 0.8~2.0kg.(AFTER LIFE TEST)
- DURABILITY: 10,000 CYCLES.
- TO CONFORM TO THE SINGATRON HAZARDOUS SUBSTANCE FREE SPEC.
- HALOGEN FREE PRODUCT IDENTIFICATION LABEL ON PACKAGING:
- PACKAGE: SEE "2UB1825-C00111F" PACKAGE.
- FOR REFLOW SOLDERING LEAD-FREE PROCESS.
- OTHER GENERAL SPEC. TO REFER "2UB1825-C00111F SPEC".
- HIGH FREQUENCY: Accord with USB 3.2 GEN2*2 (20/gbds)Specs

PART NO. 2UB1825-C00111F

- SUFFIX: HALOGEN FREE
- PACKAGE: 1: TAPE & REEL
- HOUSING COLOR: 1: BLACK
- CONTACT PLATING: 1: 30u" Au ON MATING AREA, GOLD FLASH ON SOLDERING AREA, 50u" MIN. NICKEL UNDER PLATING OVERALL



USB TYPE-C PIN ASSIGNMENTS:

A12	GND	B1	GND
A11	SSRXp2	B2	SSTXp2
A10	SSRXn2	B3	SSTXn2
A9	VBUS	B4	VBUS
A8	SBU1	B5	CC2
A7	Dn1	B6	Dp2
A6	Dp1	B7	Dn2
A5	CC1	B8	SBU2
A4	VBUS	B9	VBUS
A3	SSTXn1	B10	SSRXn1
A2	SSTXp1	B11	SSRXp1
A1	GND	B12	GND
PIN	SIGNAL NAME	PIN	SIGNAL NAME

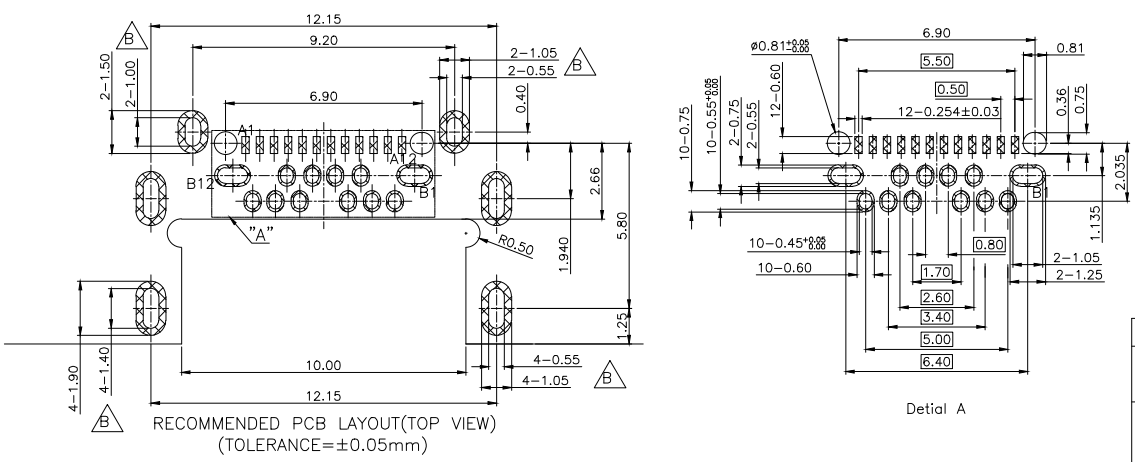
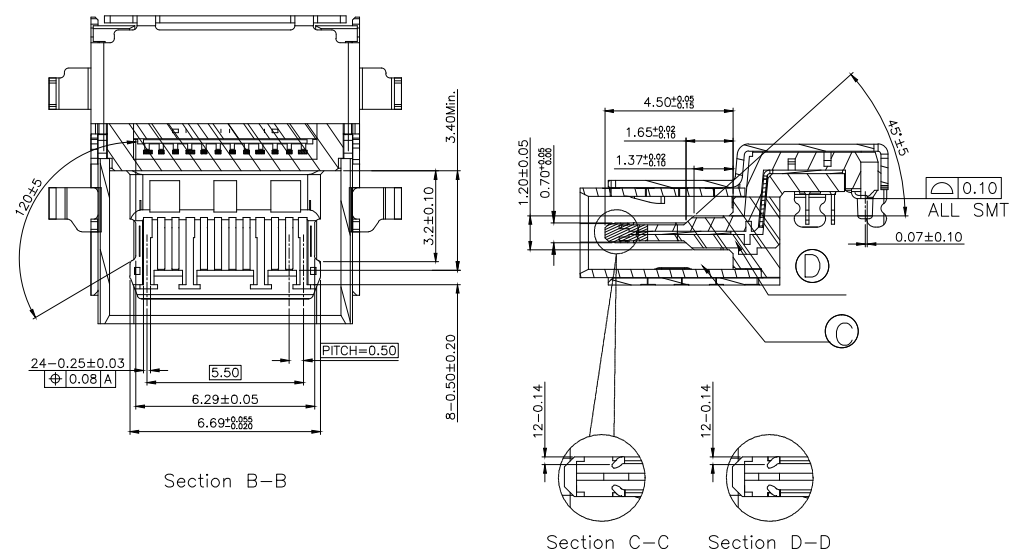
E	TERMINAL	24	C19400 , T=0.12	SEE PART NO.
D	SIGNAL	1	SUS301 , T=0.12	
C	HOUSING	1	PA9T UL 94V-0	BLACK
B	INNER SHELL	1	SUS304 , T=0.3	60u"MIN.NICKEL
A	OUTSIDE SHELL	1	SUS304 , T=0.25	60u"MIN.NICKEL
NO	DESCRIPTION	QTY	MATERIAL	PLATING & COLOR

UNLESS OTHERWISE SPECIFIED TOLERANCES 信音科技(香港)有限公司

DECIMALS:	ANGLES:	TITLE	USB TYPE C FEMALE CH=-1.2	
X :±0.5	X :±2'	DWN	EVEN 2022.11.10	PART NO. 2UB1825-C00111F
X.X :±0.3	X.X :±1'	CHKD		SCALE 1:1 UNIT: mm
X.XX :±0.2		APVD	VERESA 2022.11.10	SIZE: A3 SHEET: 1 OF 2 REV:C

CUSTOMER COPY

REV.	ECN NO OR DESCRIPTION	REVISED	DATE
A	PDR RELEASE	EVEN	2022.04.29
B	ECN NO: L202205-C02	EVEN	2022.06.10
C	ECN NO: L202209-R01	EVEN	2022.11.10



NO	DESCRIPTION	QTY	MATERIAL	PLATING & COLOR
UNLESS OTHERWISE SPECIFIED TOLERANCES		信音科技(香港)有限公司		
DECIMALS:	ANGLES:	TITLE	USB TYPE C FEMALE CH=-1.20	
X :±0.5	X :±2°	DWN	EVEN 2022.11.10	PART NO. 2UB1825-C00111F
X.X :±0.3	X.X :±1°	CHKD	SCALE 1:1	UNIT: mm
X.XX :±0.2		APVD	TERESA 2022.11.10	SIZE: A3 SHEET: 2 OF 2 REV:C
CUSTOMER COPY				