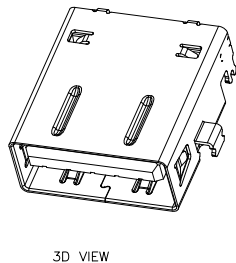
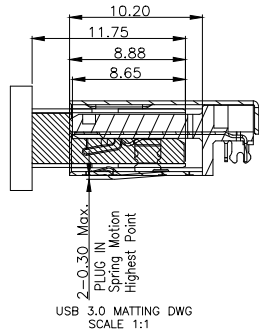
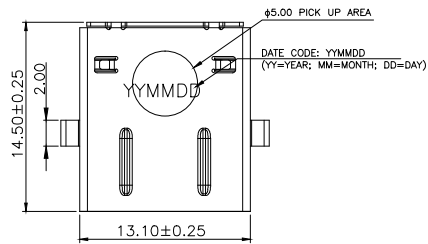
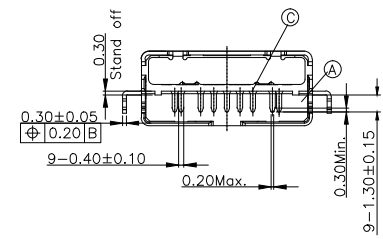
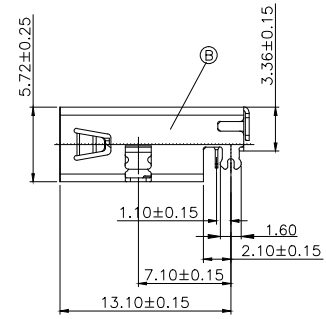
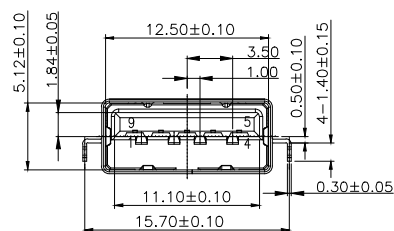


REV.	ECN NO OR DESCRIPTION	REVISED	DATE
A	PDR RELEASE	EVEN	2023.02.03

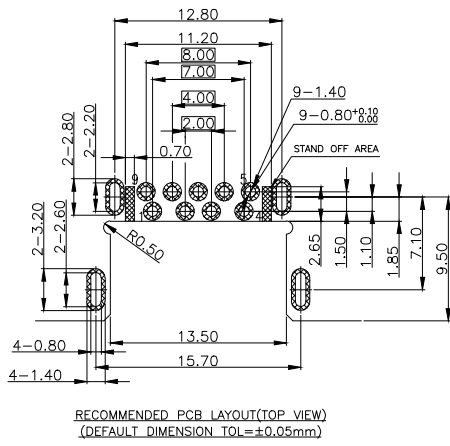
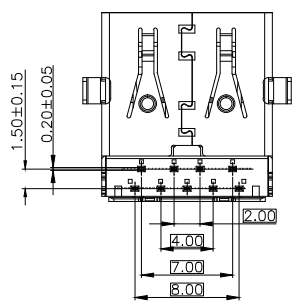


- SPECIFICATIONS:**
- ELECTRICAL CHARACTERISTICS:**
 - CURRENT RATING: 1.8A (PIN1,4) ; OTHER CONTACTS 0.25A
 - CONTACT RESISTANCE: 30mΩ MAX INITIAL FOR PIN1~4
50mΩ MAX INITIAL FOR OTHER PIN.
 - DIELECTRIC WITHSTANDING VOLTAGE: 100V AC FOR 1 MINUTE
 - INSULATION RESISTANCE: 100MΩ MIN
 - MECHANICAL CHARACTERISTICS:**
 - INSERTION FORCE : 2.5 Kgf Max.
 - WITHDRAWAL FORCE : 1.0~2.5 Kgf(INITIAL).
0.8~2.5 Kgf(AFTER TEST)
 - TO CONFORM TO SINGATRON HAZARDOUS SUBSTANCE FREE SPEC.
 - HALOGEN FREE PRODUCT IDENTIFICATION LABEL ON PACKAGING:
 - FOR REFLOW SOLDERING LEAD-FREE PROCESS.
 - PACKAGING : TAPE & REEL. SEE "2UB1843-000111F" PACKAGE.
 - OTHER GENERAL SPEC. TO REFER "2UB1843-000111F SPEC".
 - DURABILITY: 5,000 CYCLES



PART NO.
2UB1843-000111F

- SUFFIX: HALOGEN FREE PACKAGE
- 1: TAPE & REEL
- HOUSING & BASE COLOR: 1: BLACK
- CONTACT PLATING: 1: GOLD FLASH(1~3u") PLATING ON CONTACT AREA, MATTE Sn 80u"MIN. ON SOLDERING AREA, 50u" MIN. NICKEL UNDER PLATING OVERALL



Pin Number	Signal ASSIGNMENT	C	TERMINAL	QTY	MATERIAL	PLATING & COLOR
PIN 1	VBUS	9	C2680	1	SUS304	NICKEL 50u"MIN
PIN 2	D-	1	SEE PART NO.	1	PA9T UL94-V0	BLACK
PIN 3	D+	1	SEE PART NO.	1	PA9T UL94-V0	BLACK
PIN 4	GND	1	SEE PART NO.	1	PA9T UL94-V0	BLACK
PIN 5	StdA_SSRX-	1	SEE PART NO.	1	PA9T UL94-V0	BLACK
PIN 6	StdA_SSRX+	1	SEE PART NO.	1	PA9T UL94-V0	BLACK
PIN 7	GND_DRAIN	1	SEE PART NO.	1	PA9T UL94-V0	BLACK
PIN 8	StdA_SSTX-	1	SEE PART NO.	1	PA9T UL94-V0	BLACK
PIN 9	StdA_SSTX+	1	SEE PART NO.	1	PA9T UL94-V0	BLACK

DECIMALS:		ANGLES:		TITLE
X	:±0.5	X	:±2°	USB 3.0 CONNECTOR
X.X	:±0.3	X.X	:±1°	PART NO.2UB1843-000111F
X.XX	:±0.2			SCALE 4:1 UNIT: mm

UNLESS OTHERWISE SPECIFIED TOLERANCES

信音科技(香港)有限公司

DATE: 2023.02.03

SIZE: A3 SHEET: 1 OF 1

REV: A

CUSTOMER COPY