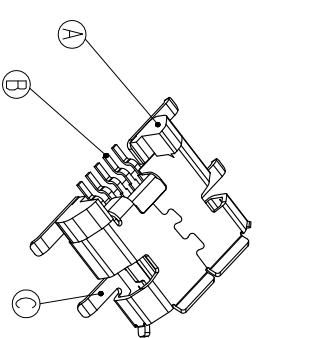
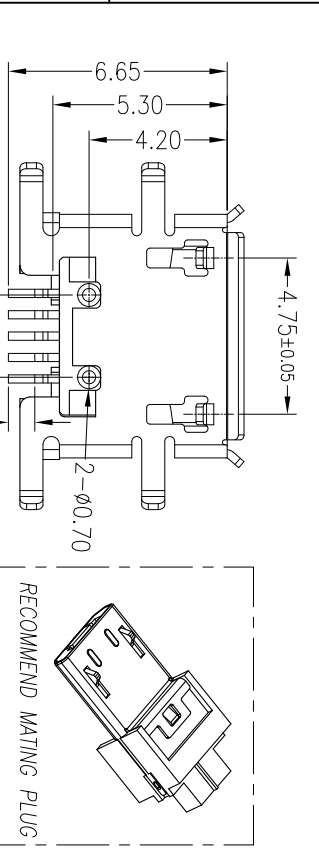
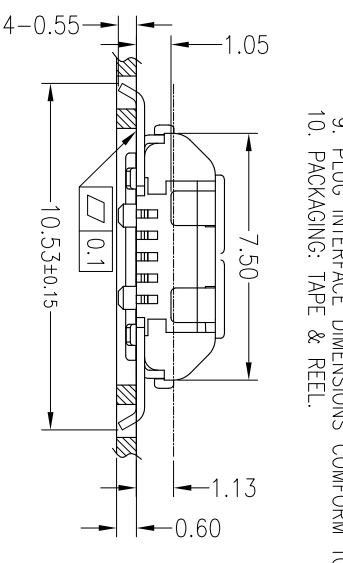
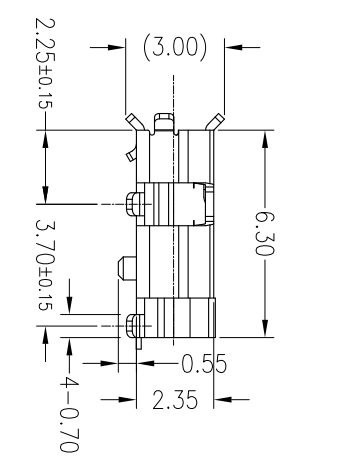
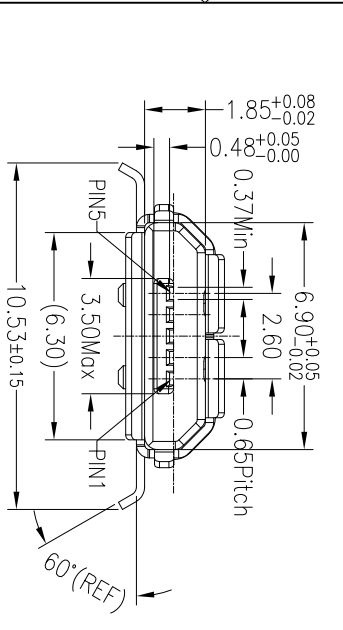
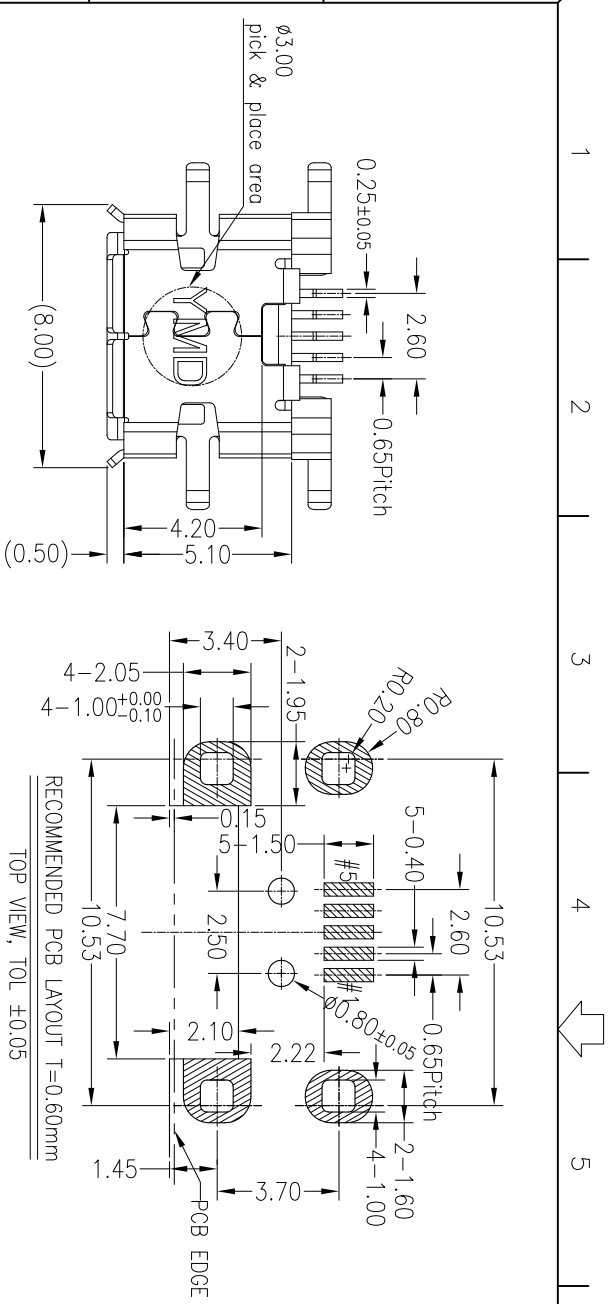


| | | | |
|------|-----------------------|---------|------------|
| REV. | ECN NO OR DESCRIPTION | REVISED | DATE |
| A | PRODUCT RELEASE | Ares | 2011.08.31 |

- SPECIFICATIONS:**
- ELECTRICAL CHARACTERISTICS:
 - 1-1: RATING: 2A (PIN1/5), 0.5A (PIN2/3/4)
 - 1-2: CONTACT RESISTANCE: $30m\Omega$ MAX.(INITIAL) $40m\Omega$ MAX.(FINAL)
 - 1-3: DIELECTRIC WITHSTANDING VOLTAGE: 500V AC FOR ONE MINUTE.
 - 1-4: INSULATION RESISTANCE: 100M Ω MIN. MEASURED BY 500 VDC
 - MECHANICAL CHARACTERISTICS:
 - 2-1: INSERTION FORCE : 3.6 KGF (MAX)
 - 2-2: WITHDRAWAL FORCE : 0.8 KGF(Reference)
 - LIFE TEST: 10,000 CYCLES.
 - TO CONFORM TO THE SINGATRON HSF SPEC.
 - HALOGEN FREE PRODUCT IDENTIFICATION MARK ON PRODUCT: (S)
 - HALOGEN FREE PRODUCT IDENTIFICATION LABEL ON PACKAGING: (S)
 - FOR REFLOW SOLDERING LEAD-FREE PROCESS.
 - SOLDER HEAT RESISTANCE REFLOW SOLDERING 260°C 10SECS.
 - PLUG INTERFACE DIMENSIONS CONFORM TO USB2.0 SPEC.
 - PACKAGING: TAPE & REEL.



| | | | | |
|----|-------------|-----|---------------------------------|---|
| C | SHELL | 1 | STAINLESS STEEL 0.25T | At 3u Min ON SOLDER AREA Ni 50u Min PLATING ALL OVER |
| B | CONTACT | 5 | COPPER ALLOY 0.15T | 30u Au ON CONTACT AREA GOLD FLASH ON SOLDER AREA |
| A | HOUSING | 1 | HI-TEMP. THERMO-PLASTIC UL94V-0 | BLACK |
| NO | DESCRIPTION | QTY | MATERIAL | PLATING & COLOR |

| | | | | |
|---------------------------------------|----------|---|----------------|-------------------------------|
| UNLESS OTHERWISE SPECIFIED TOLERANCES | | | | |
| DECIMALS: | ANGLES: | SINGATRON ENTERPRISE CO., LTD. | | |
| X : ±0.5 | X : ±2° | 信亨企業股份有限公司 | | |
| XX : ±0.3 | XX : ±1° | TITLE MICRO USB B TYPE REVERSE RECEPTACLE | | |
| XXX : ±0.2 | | DWN | DATE: 2011.8.1 | PART NO. 2UB2002-005111F |
| | | CHKD | DATE: 2011.8.1 | SCALE 4:1 UNIT: mm |
| | | APVD | DATE: 2011.8.1 | SIZE: A3 SHEET: 1 OF 1 REV: A |
| CUSTOMER COPY | | | | |