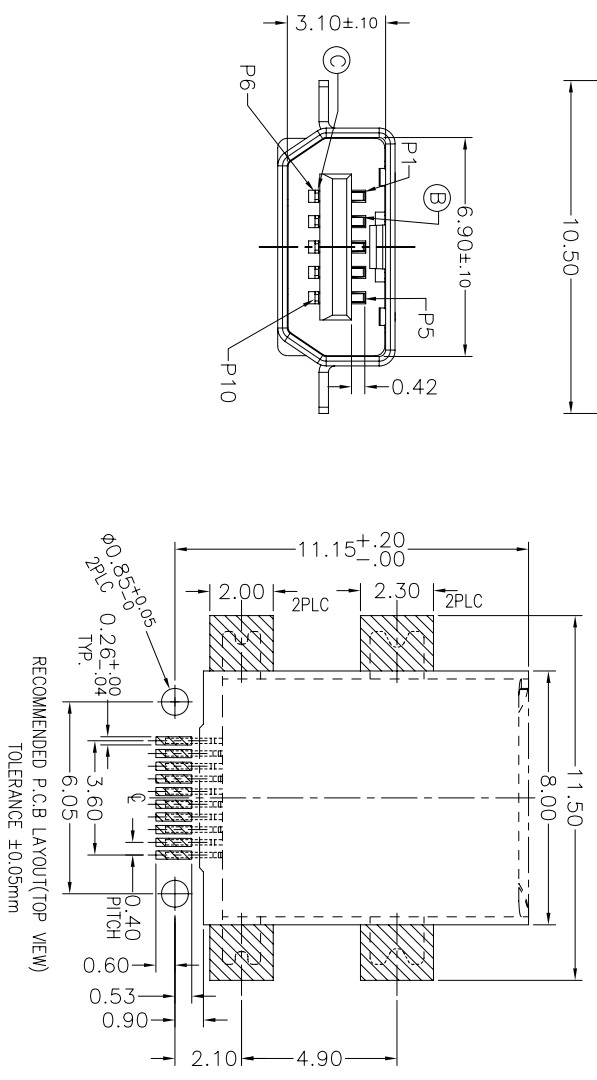
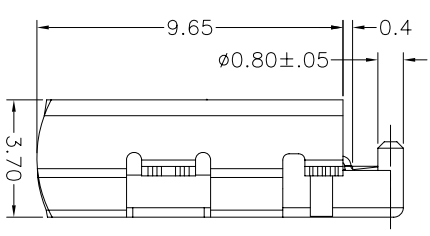
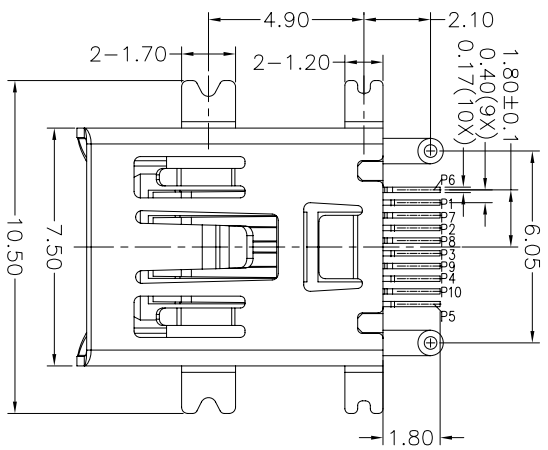
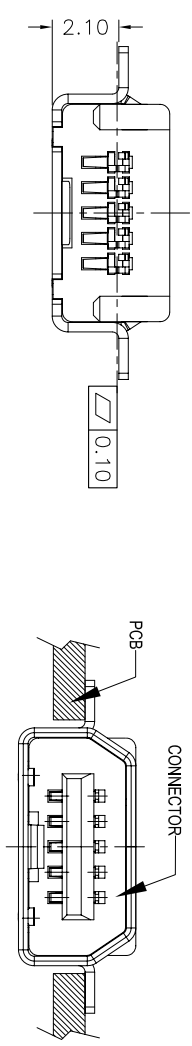


REV.	ECN NO. OR DESCRIPTION	REVISED	DATE
A	PDR NO.: C090720-1A	HAHUA	2009.09.26

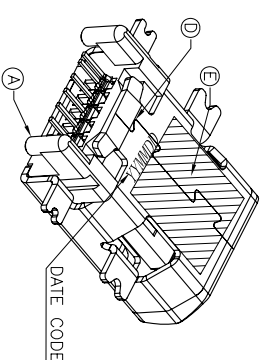


RECOMMENDED PCB LAYOUT(TOP VIEW)  
TOLERANCE ±0.05mm

- SPECIFICATION:
- 1.CONTACT CURRENT RATING 1.0A AT 30V AC
  - 2.CONTACT RESISTANCE 60 MILLIOHMS Max.
  - 3.INSULATION RESISTANCE 100 MEGAOHMS Min.
  - 4.DIELECTRIC WITHSTANDING VOLTAGE 100V AC FOR 1 MINUTE
  - 5.INSERTION FORCE 35N Max.
  - 6.EXTRACTION FORCE 7N Min.(INITIAL) ; 3N MIN.(10000 CYCLE)
  - 7.DURABILITY 10000 INSERTION/EXTRACTION CYCLE
  - 8.OPERATING TEMPERATURE -55~85°
  - 9.IR FOLLOW CHART PEAK TEMPERATURE 260±5 10SEC.
  - 10.PACKAGING: TAPE & REEL
  - 11.TO CONFORM TO SINGATRON HAZARDOUS SUBSTANCE FREE SPEC.
  - 12.HALOGEN FREE PRODUCT IDENTIFICATION MARK ON PRODUCT:
  - 13.HALOGEN FREE PRODUCT IDENTIFICATION LOGO ON PACKING:
  - 14.FOR LEAD-FREE PROCESS.
  - 15.PRINTED DATE CODE ON THE CONNECTOR.

Connector Termination Assignment:

Contact Number	Signal Name
1	VBUS
2	D-
3	D+
4	ID
5	GND
6-10	Audio Use
	Shield



NO	DESCRIPTION	QTY	MATERIAL	PLATING & COLOR
A	BODY	1	High Temp. Thermoplastic U94V-0	BLACK
B	UPPER TERMINAL	5	COPPY ALLOY	CONTACT Au PLATING SOLDER TAIL Au PLATING
C	LOWER TERMINAL	5	COPPY ALLOY	CONTACT Au PLATING SOLDER TAIL Au PLATING
D	SHELL	1	STAINLESS STEEL	Ni 60u" Min,Sn60~100u"
E	MYLAR	1	KAPTON	YELLOW

UNLESS OTHERWISE SPECIFIED TOLERANCES

DECIMALS: ANGLES:

X.XX ±:0.20 X.X ±:0.30 X.XX ±:1° X.XX ±:0.20

Singatron Enterprise Co., Ltd.  
信亨企業股份有限公司

TITLE: MINI USB 10 PIN SINKING TYPE CONN.  
DWN: HAHUA 20090926 PART NO.: 2UB2003-000111  
CHKD: SCALE:N/A UNIT: mm  
APVD: R09N 20090926 SIZE: A3 SHEET:1 OF 1 REV:A

CUSTOMER COPY

