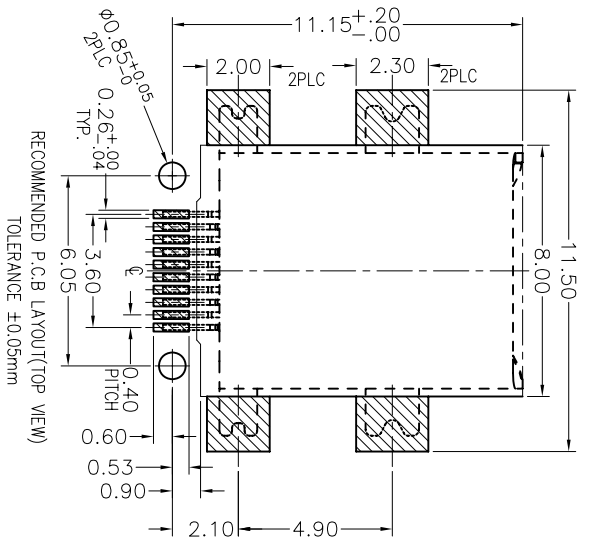
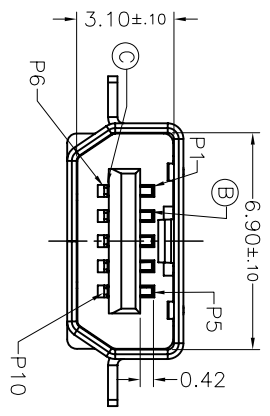
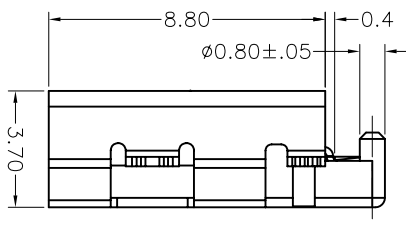
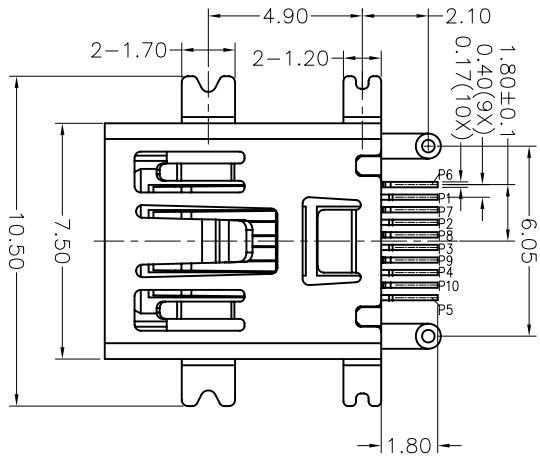
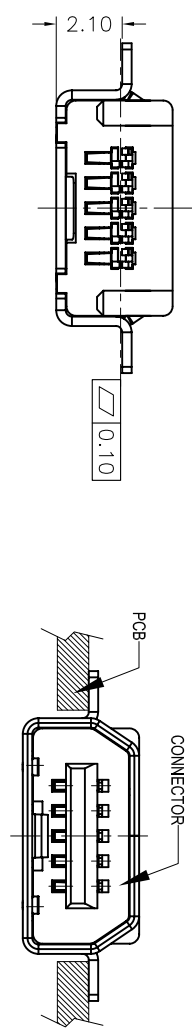


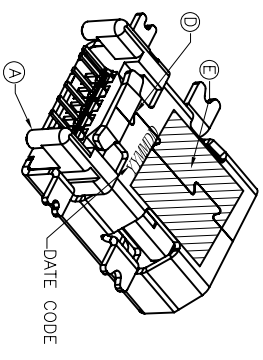
REV	ECN NO OR DESCRIPTION	REVISED	DATE
A	PDR NO: C090720-1A	HAHUA	2009.09.26



- SPECIFICATION:
1. CONTACT CURRENT RATING 1.0A AT 30V AC
 2. CONTACT RESISTANCE 60 MILLIOHMS Max.
 3. INSULATION RESISTANCE 100 MEGAOHMS Min.
 4. DIELECTRIC WITHSTANDING VOLTAGE 100V AC FOR 1 MINUTE
 5. INSERTION FORCE 35N Max.
 6. EXTRACTION FORCE 7N MIN.(INITIAL) ; 3N MIN.(10000 CYCLE)
 7. DURABILITY 10000 INSERTION/EXTRACTION CYCLE
 8. OPERATING TEMPERATURE -55~85°
 9. I/R FOLLOW CHART PEAK TEMPERATURE 260°±5 10SEC.
 10. PACKAGING: TAPE & REEL
 11. TO CONFORM TO SINGATRON HAZARDOUS SUBSTANCE FREE SPEC.
 12. HALOGEN FREE PRODUCT IDENTIFICATION MARK ON PRODUCT:
 13. HALOGEN FREE PRODUCT IDENTIFICATION LOGO ON PACKAGING:
 14. FOR LEAD-FREE PROCESS.
 15. PRINTED DATE CODE **WMMDD** ON THE CONNECTOR.

Connector Termination Assignment:

Contact Number	Signal Name
1	VBUS
2	D-
3	D+
4	ID
5	GND
6-10	Audio Use
	Shield



NO	DESCRIPTION	QTY	MATERIAL	PLATING & COLOR
A	BODY	1	High Temp. Thermoplastic U94H-0	BLACK
B	UPPER TERMINAL	5	COPPY ALLOY	CONTACT Au PLATING SOLDER TAIL Au PLATING
C	LOWER TERMINAL	5	COPPY ALLOY	CONTACT Au PLATING SOLDER TAIL Au PLATING
D	SHELL	1	STAINLESS STEEL	Ni 60u" Min, Sn60~100u"
E	MYLAR	1	KAPTON	YELLOW

UNLESS OTHERWISE SPECIFIED TOLERANCES

Singatron Enterprise Co., Ltd.
信管企業股份有限公司

TITLE: MINI USB 10 PIN SINKING TYPE CONN.

DWN: HAHUA 20090926 PART NO.: 2UB2003-001111

CHKD: SCALE:N/A UNIT: mm

APVD: REVEN: 20090926 SIZE: A3 SHEET: 1 OF 1 REV: A

CUSTOMER COPY