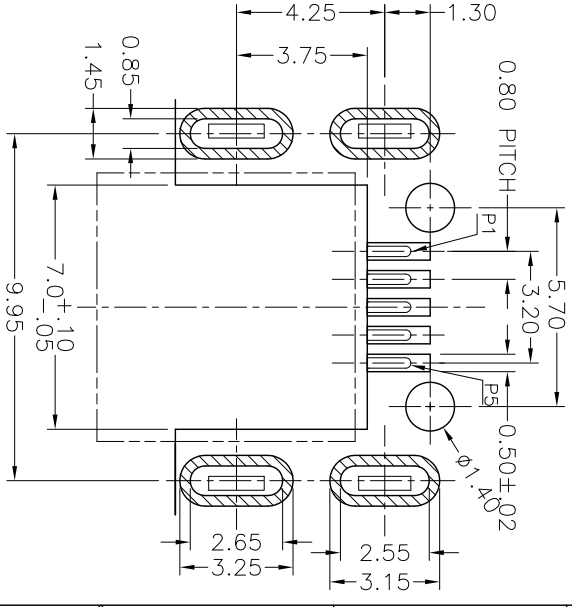
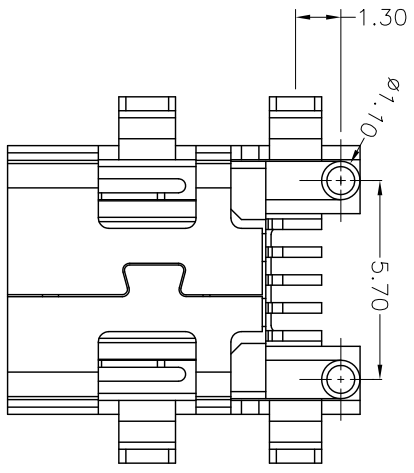
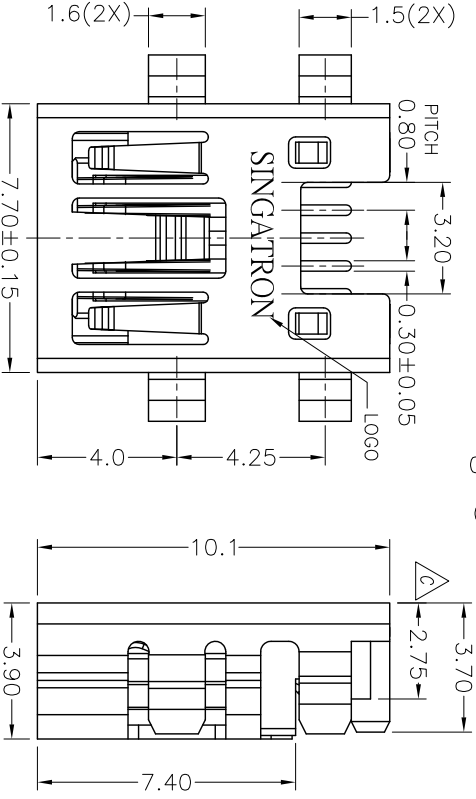
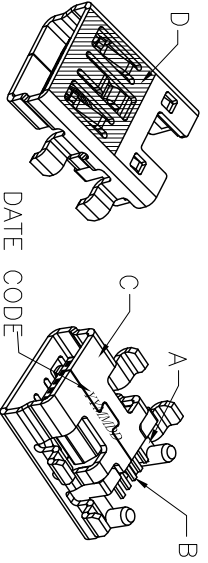
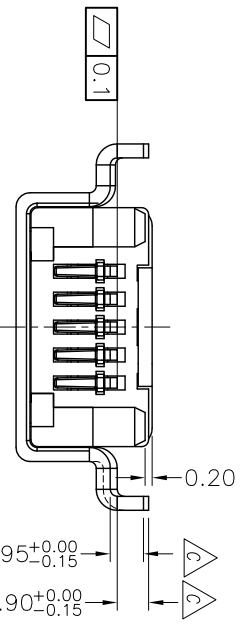


REV.	ECN NO OR DESCRIPTION	REVISED	DATE
B	MODIFICATION DRAWING ECN NO:C100280	LONGJIANG	2010.07.16
C	ECN NO:C100579 MODIFICATION DIM	BILLY	2011.01.11



SPECIFICATION:

1. CONTACT CURRENT RATING 1.0A AT 30V AC
2. CONTACT RESISTANCE 30MILLIOHMS MAX.
3. INSULATION RESISTANCE 100MEGAOHMS MIN.
4. DIELECTRIC WITHSTANDING VOLTAGE 100V AC FOR 1 MINUTE
5. INSERTION FORCE 3.0Kg MAX.
6. EXTRACTION FORCE 0.7Kg MIN.(INITIAL)
0.3Kg MIN.(5000 CYCLE)
7. DURABILITY 5000 INSERTION/EXTRACTION CYCLE
8. OPERATING TEMPERATURE -55~85°
9. I/R FOLLOW CHART PEAK TEMPERATURE 250±5 10SEC.
10. PACKAGE TAPE & REEL
11. TO CONFORM TO SINGATRON HAZARDOUS SUBSTANCE FREE SPEC.
12. GREEN PRODUCT IDENTIFICATION MARK ON BODY:
13. GREEN PRODUCT IDENTIFICATION LABEL ON PACKING:
14. FOR LEAD-FREE PROCESS.
15. PRINTED DATE CODE "YMMDD" ON THE BOTTOM OF CONN.
16. REPRESENT CRITICAL DIMENSIONS.

RECOMMENDED PCB LAYOUT
TOP VIEW (Tolerance:±0.05)

NO	DESCRIPTION	QTY	MATERIAL	PLATING & COLOR
D	MYLAR	1	KAPTON 0.06T	YELLOW
C	SHELL	1	COPPER ALLOY 0.4T	Sn PLATING
B	TERMINAL	5	COPPER ALLOY 0.2T	CONTACT 3uAu SOLDER TAIL GOLD FLASH
A	BODY	1	HIGH TEMP. THERMOPLASTIC UL 94V-0	BLACK

UNLESS OTHERWISE SPECIFIED TOLERANCES

DECIMALS: ANGLES: Singatron Enterprise Co., Ltd.
信普企業股份有限公司

TITLE	MINI USB B TYPE/SMT SINKING CONNECTOR
DWN	Billy 110114
CHKD	ZJZ 110114
APVD	Lao 110114
PART NO.	2UB3008-000111
SCALE:	4:1
UNIT:	mm
SIZE:	A3
SHEET:	1 OF 1
REV:	C

CUSTOMER COPY

