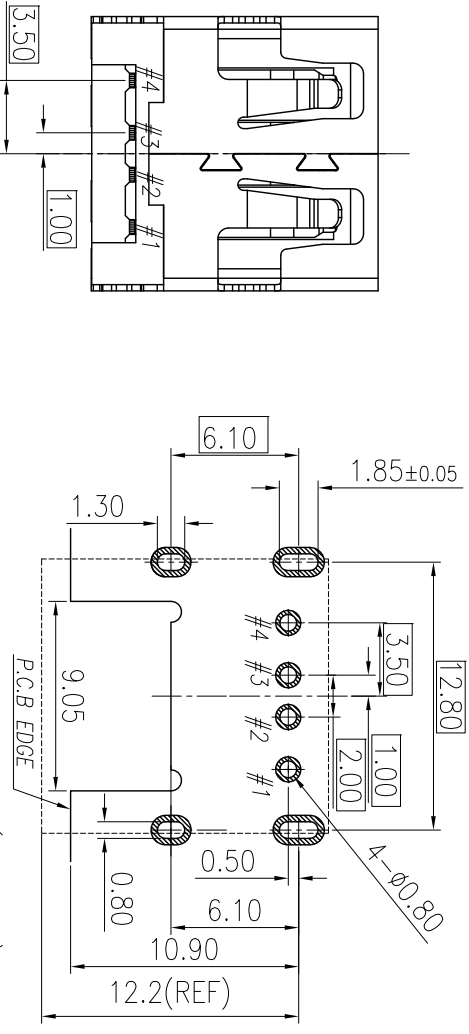
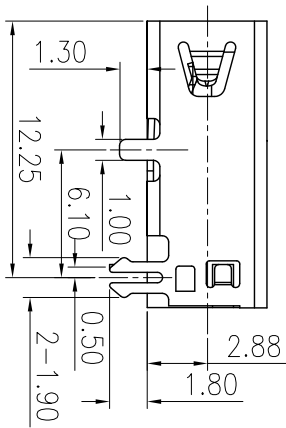
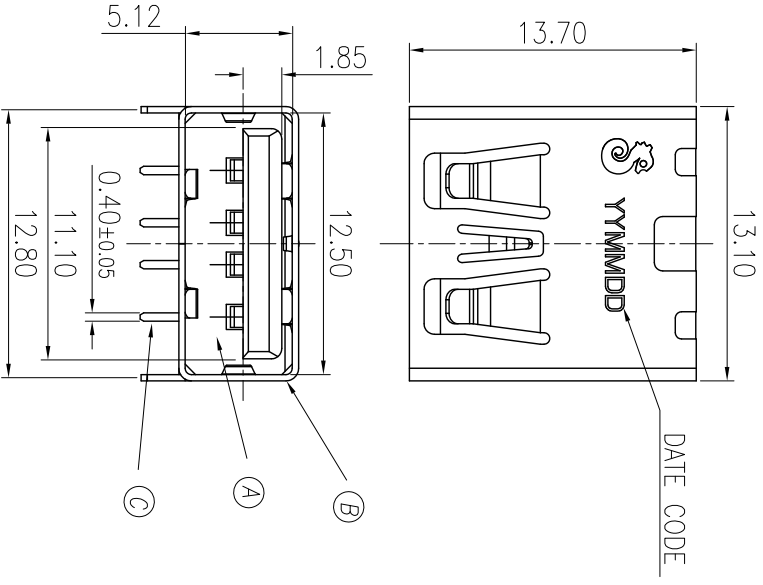
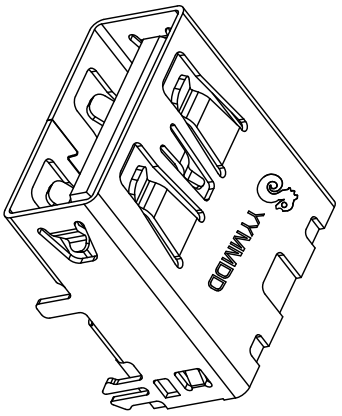


REV.	ECN NO.	OR DESCRIPTION	REVISED	DATE
A		PRODUCE RELEASE	JIANGUO	2011.02.09



- SPECIFICATIONS:
- ELECTRICAL CHARACTERISTICS:
 - CURRENT RATING: 1.8A (PIN1,4) ; OTHER CONTACTS 0.25A
 - CONTACT RESISTANCE: 30mΩ MAX.
 - DIELECTRIC WITHSTANDING VOLTAGE: 500V AC FOR 1 MINUTE
 - INSULATION RESISTANCE: 100MΩ MIN
 - MECHANICAL CHARACTERISTICS:
 - INSERTION FORCE : 35N MAX
 - WITHDRAWAL FORCE : 8N MIN
 - DURABILITY: 1500 CYCLES.
 - TO CONFORM TO SINGATRON HAZARDOUS SUBSTANCE FREE SPEC.
 - HALOGEN FREE PRODUCT IDENTIFICATION MARK IN JACK:
 - HALOGEN FREE PRODUCT IDENTIFICATION LABEL ON PACKAGING:
 - FOR REFLOW SOLDERING LEAD-FREE PROCESS.
 - PACKAGING : TAPE & REEL.



C	TERMINAL	4	COPPER ALLOY	GOLD FLASH PLATING AT CONTACT AREA
B	SHELL	1	SUS	NICKEL PLATED
A	BASE	1	THERMOPLASTIC	BLACK
NO	DESCRIPTION	QTY	MATERIAL	PLATING & COLOR

UNLESS OTHERWISE SPECIFIED TOLERANCES

Singatron Enterprise Co., Ltd.
信音企业股份有限公司

TITLE	USB2.0 REVERSE CONNECTOR			
DWN	Jianguo 11.02.18	PART NO.	ZUB2013-000111F	
CHKD	Winkan 11.02.18	SCALE	4:1	UNIT: mm
APVD	Liao 11.02.18	SIZE:	A3	SHEET: 10F1
		REV:	A	

CUSTOMER COPY

1 2 3 4 5 6 7 8

A B C D E F

文件编号: 00-06-043-A