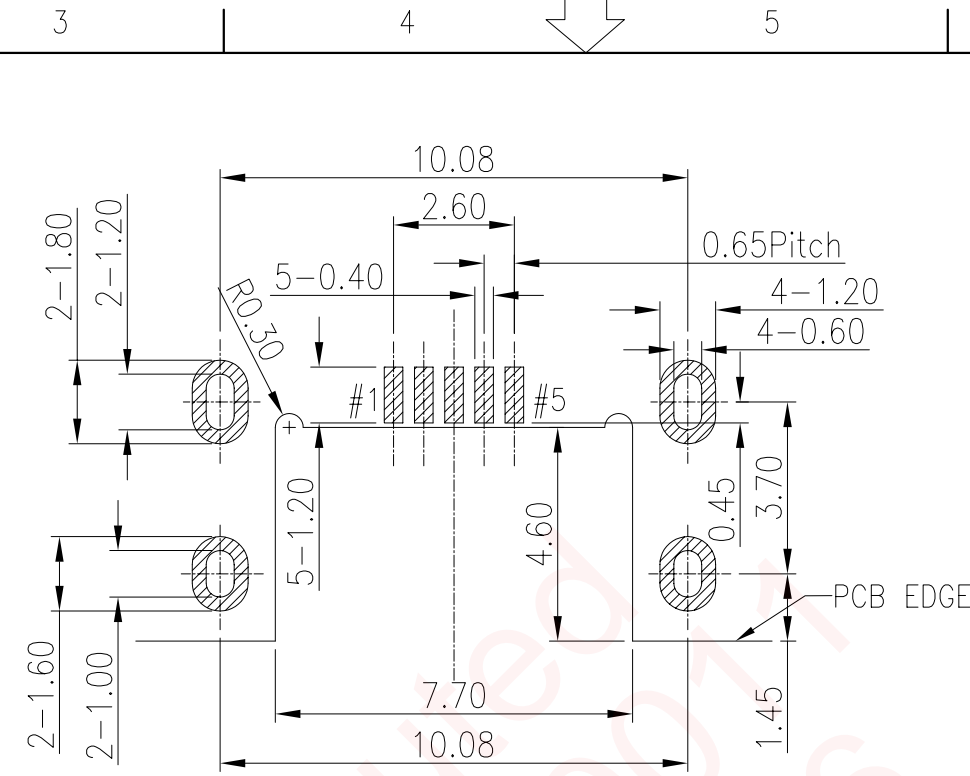
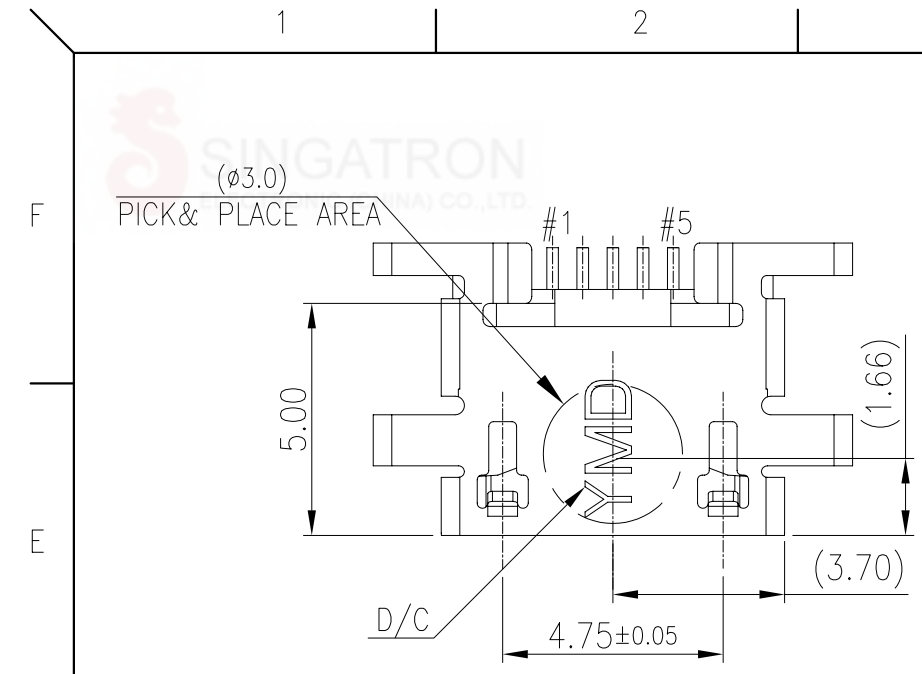
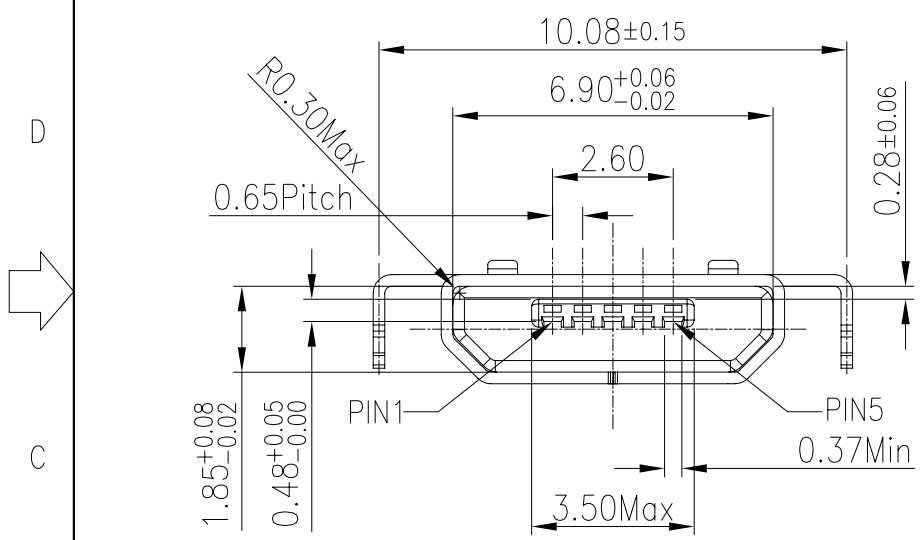


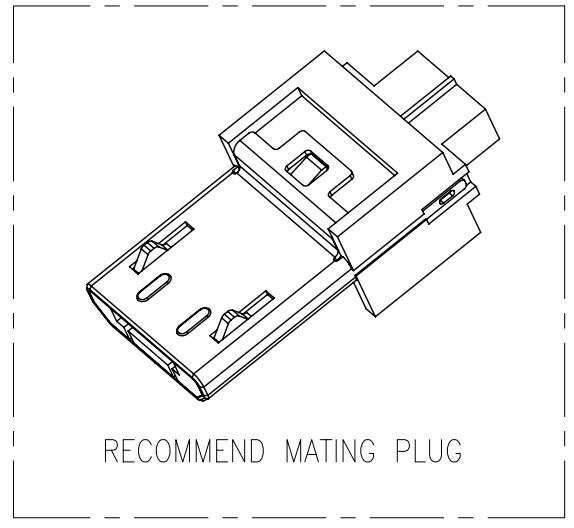
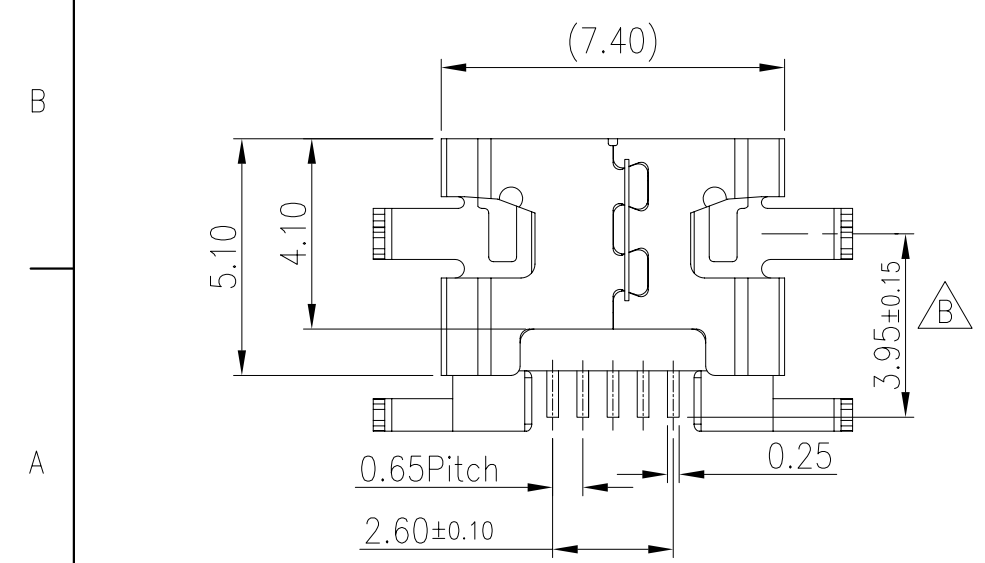
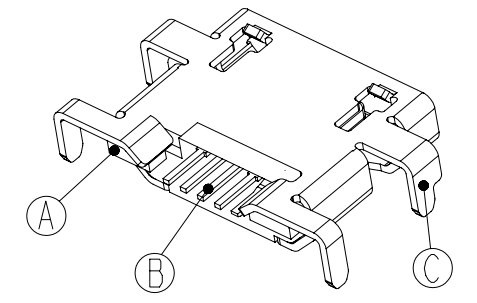
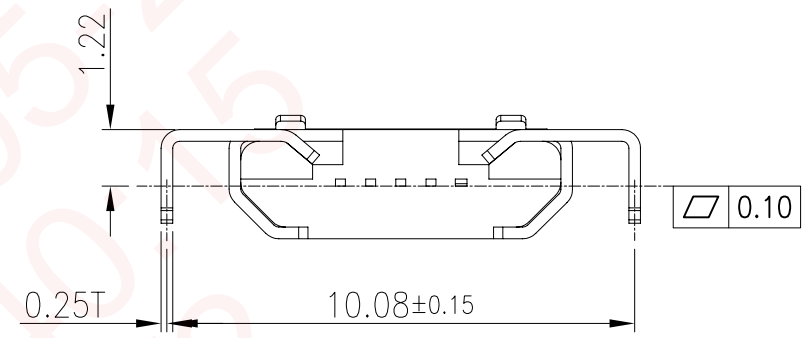
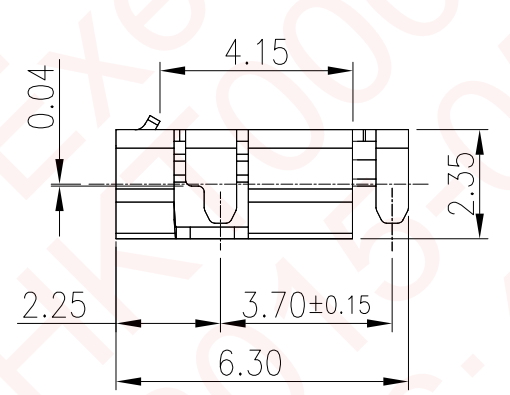
REV.	ECN NO OR DESCRIPTION	REVISED	DATE
A	PRODUCT RELEASE	Landi	2013.01.10
B	ECN NO.:C150056MODIFY SIZE	Junkang	2015.05.08



- SPECIFICATIONS:
- ELECTRICAL CHARACTERISTICS:
 - 1-1. RATING: 1.8A (PIN1/5), 0.5A (PIN2/3/4)
 - 1-2. CONTACT RESISTANCE: 30mΩ MAX.(INITIAL), 40mΩ MAX.(FINAL)
 - 1-3. DIELECTRIC WITHSTANDING VOLTAGE: 500V AC FOR ONE MINUTE.
 - 1-4. INSULATION RESISTANCE: 100MΩ MIN. MEASURED BY 500V DC
 - MECHANICAL CHARACTERISTICS:
 - 2-1. INSERTION FORCE : 3.6 KGF (MAX.)
 - 2-2. WITHDRAWAL FORCE : 0.8 KGF(Reference)
 - LIFE TEST: 10,000 CYCLES .
 - TO CONFORM TO THE SINGATRON HSF SPEC.
 - HALOGEN FREE PRODUCT IDENTIFICATION MARK ON PRODUCT:
 - HALOGEN FREE PRODUCT IDENTIFICATION LABEL ON PACKAGING:
 - FOR REFLOW SOLDERING LEAD-FREE PROCESS.
 - PACKAGING: TAPE & REEL.



RECOMMENDED PCB LAYOUT
TOP VIEW, TOL ±0.05



C	SHELL	1	STAINLESS STEEL 0.25T	MATTE Sn
B	CONTACT	5	COPPER ALLOY 0.15T	Au 300 ^{nm} ON CONTACT AREA GOLD FLASH ON SOLDER AREA
A	HOUSING	1	HI-TEMP. THERMO-PLASTIC UL94V-0	可發部(CS) BLACK
NO	DESCRIPTION	QTY	MATERIAL	PLATING & COLOR
UNLESS OTHERWISE SPECIFIED TOLERANCES			Singatron Enterprise Co., Ltd. 信音企業股份有限公司	
DECIMALS:		ANGLES:		
X	:±0.5	X	:±2°	
X.X	:±0.3	X.X	:±1°	
X.XX	:±0.2			
TITLE		MICRO USB B TYPE RECEPTACLE		
DWN	Junkang-Zhong 15/5/18	PART NO.	2UB2106-001111F	
CHKD	Zhijun-Wei 15/5/18	SCALE	4:1	UNIT: mm
APVD	Zjz-Zhou 15/5/18	SIZE:	A3	SHEET: 1 OF 1 REV: B
CUSTOMER COPY 15/05/20				