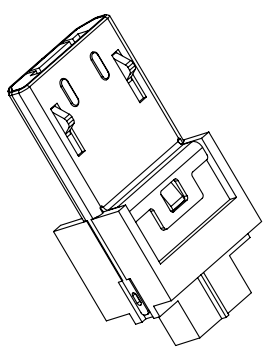
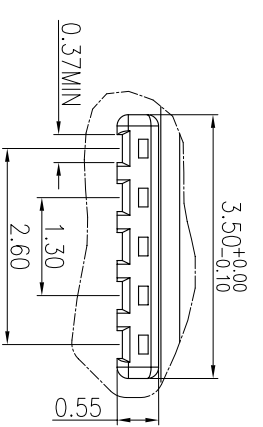
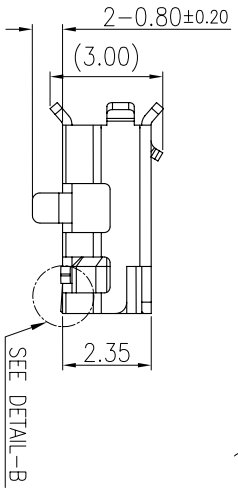
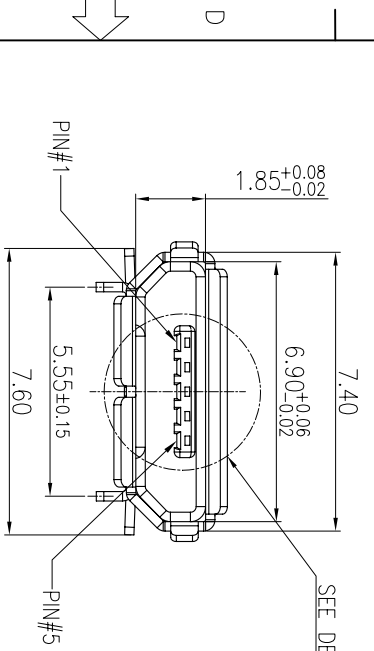
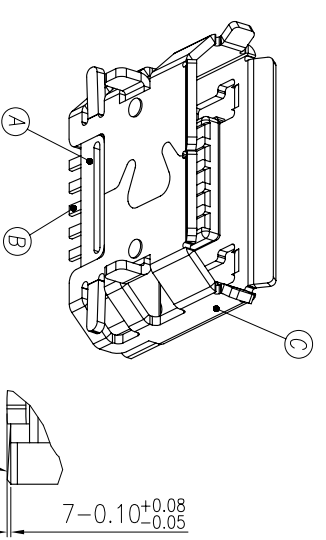
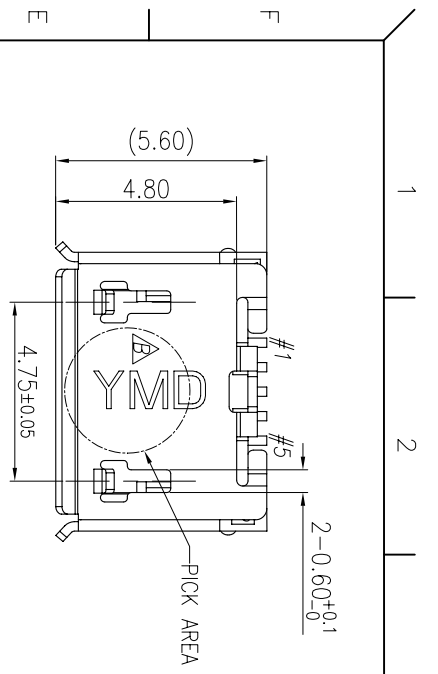


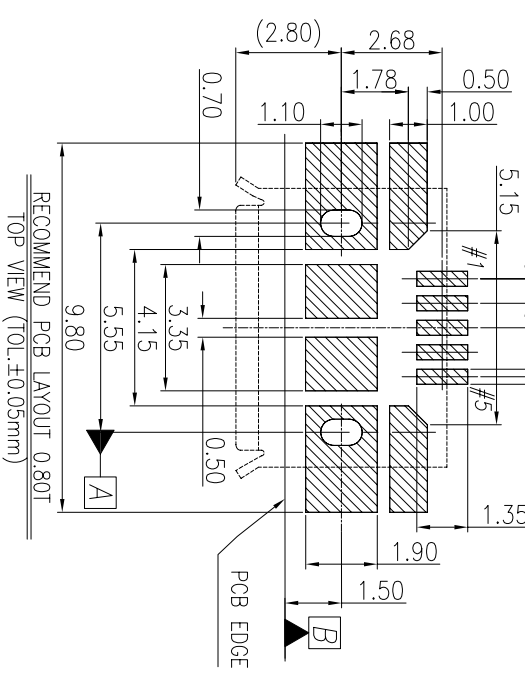
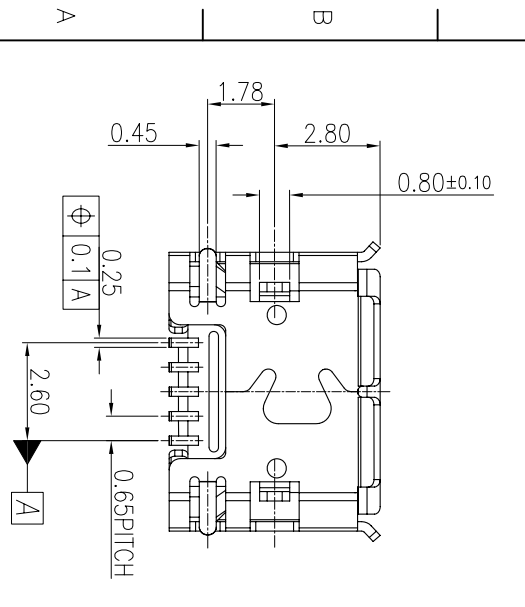
REV.	ECN NO OR DESCRIPTION	REVISED	DATE
A	PRODUCT RELEASE	Ares	2012.04.13
B	ECN:C120097 UPDATE DRAWING	DAOWEN	2012.05.02

SPECIFICATIONS:

- ELECTRICAL CHARACTERISTICS:
  - RATING: 2A (PIN1/5), 0.5A (PIN2/3/4)
  - CONTACT RESISTANCE: 30mΩ MAX.(INITIAL) 40mΩ MAX.(FINAL)
  - DIELECTRIC WITHSTANDING VOLTAGE: 500V AC FOR ONE MINUTE.
  - INSULATION RESISTANCE: 100MΩ MIN. MEASURED BY 500 VDC
- MECHANICAL CHARACTERISTICS:
  - INSERTION FORCE : 3.6 KGF (MAX)
  - WITHDRAWAL FORCE : 0.8 KGF(Reference)
  - LIFE TEST: 10,000 CYCLES
  - OTHER GENERAL SPEC. TO REFER "Micro Usb General SPEC."
  - TO CONFORM TO THE SINGATRON HSF SPEC.
  - HALOGEN FREE PRODUCT IDENTIFICATION MARK ON PRODUCT:
  - HALOGEN FREE PRODUCT IDENTIFICATION LABEL ON PACKAGING:
  - FOR REFLOW SOLDERING LEAD-FREE PROCESS.
  - PLUG INTERFACE DIMENSIONS CONFORM TO USB2.0 SPEC.
  - PACKAGING: TAPE & REEL.



RECOMMEND MATING PLUG



NO	DESCRIPTION	QTY	MATERIAL	PLATING & COLOR
C	SHELL	1	STAINLESS STEEL 0.25T	MATTE TIN
B	CONTACT	5	COPPER ALLOY 0.15T	GOLD FLASH ALL OVER
A	HOUSING	1	HI-TEMP THERMO-PLASTIC UL 94V-0	BLACK

UNLESS OTHERWISE SPECIFIED TOLERANCES

DECIMALS:	ANGLES:
X : ±0.5	X : ±2°
X.X : ±0.3	X.X : ±1°
X.XX : ±0.2	

Singatron Enterprise Co., Ltd.  
信音企業股份有限公司

TITLE MICRO USB B TYPE RECEPTACLE

DWN PART NO. 2UB2115-000111F

CHKD SCALE 4:1 UNIT: mm

APVD LMO SIZE: A3 SHEET: 1 OF 1 REV: B

CUSTOMER COPY