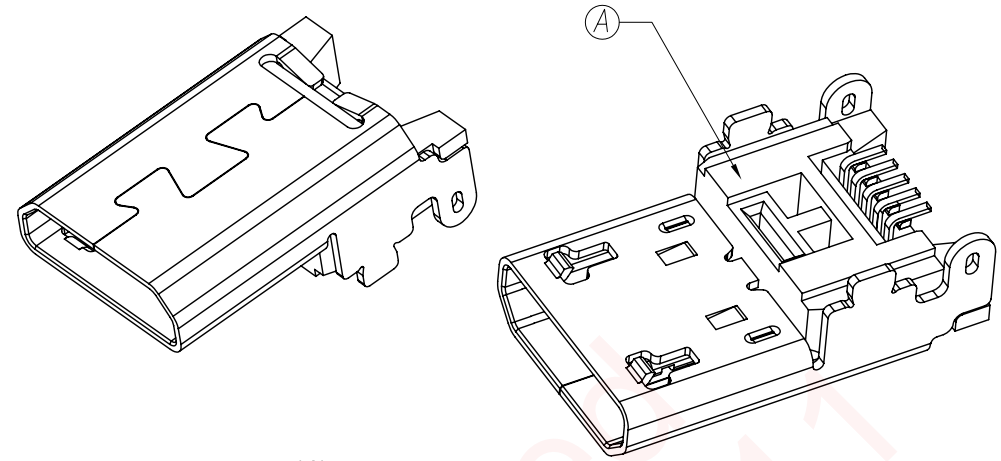
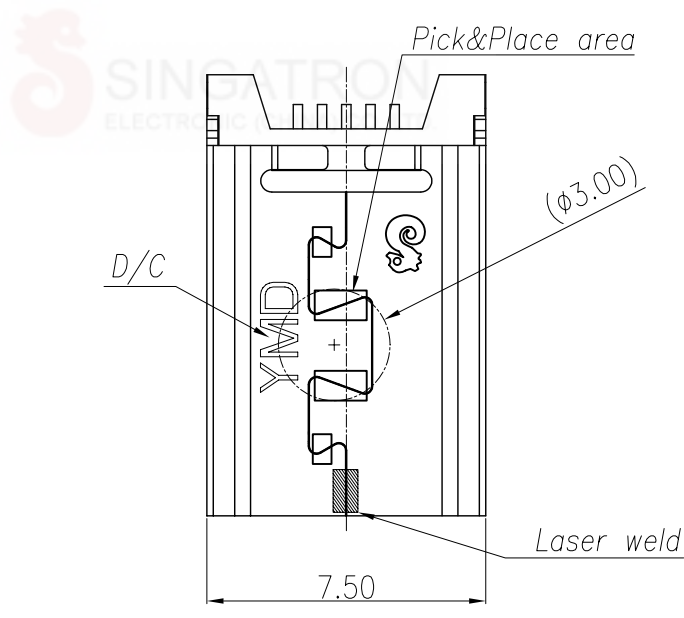


REV.	ECN NO OR DESCRIPTION	REVISED	DATE
A	PRODUCT RELEASE	REX	2015.05.19



**SPECIFICATIONS:**

1, Electrical Characteristics:

1-1. Rating: 1.8A(Pin1/5), 0.5A(Pin2/3/4);

1-2. Contact resistance: 30mΩ Max.(Initial);

1-3. Dielectric withstanding voltage: 100V AC for one minute;

1-4. Insulation resistance: 100MΩ Min. measured by 500V DC;

2, Mechanical characteristics:

2-1. Insertion force: 2.5 Kgf(Max.);

2-2. Withdrawal force: 1.0 Kgf(Ref.);

3, Life test: 10,000 Cycles;

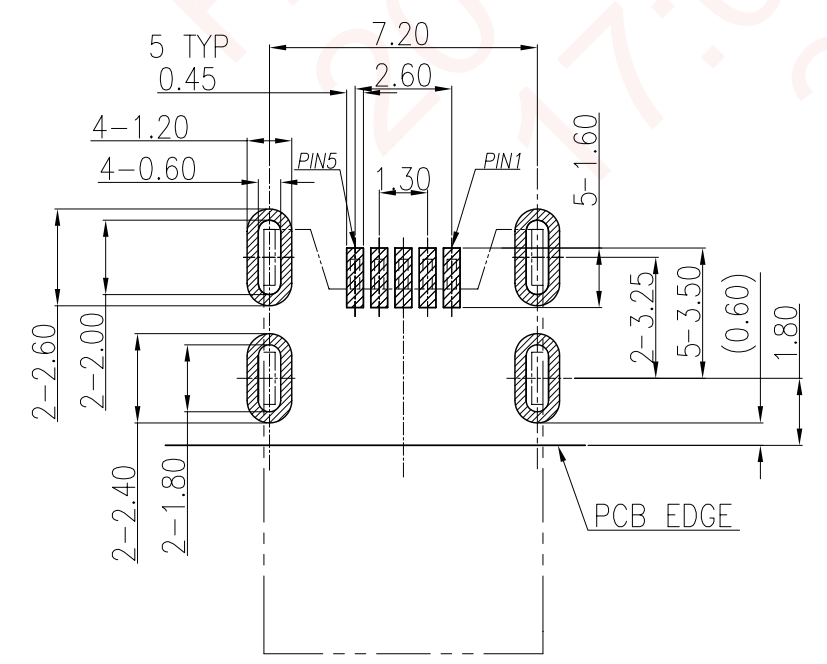
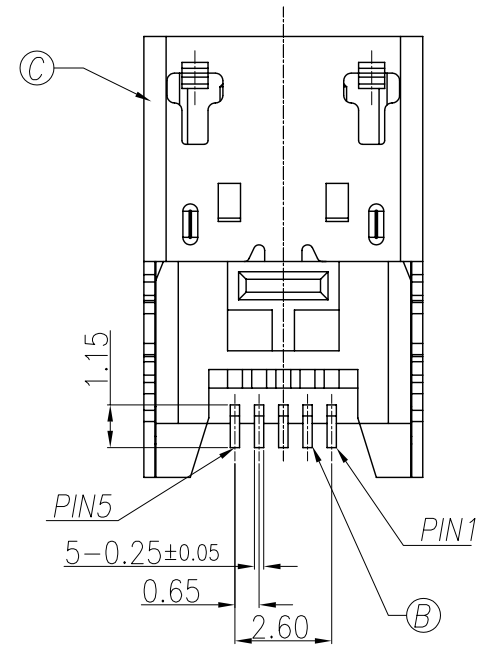
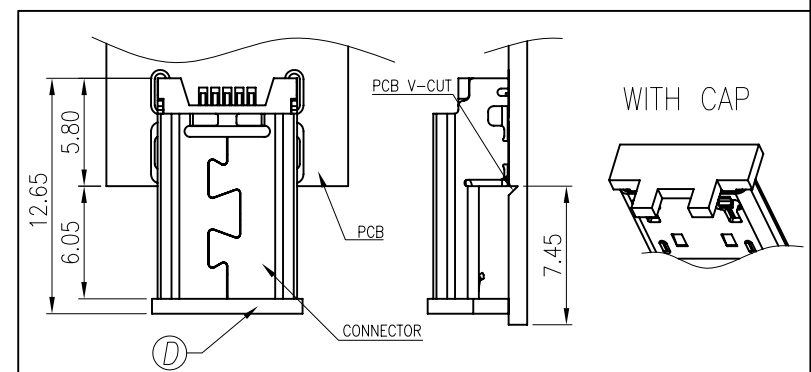
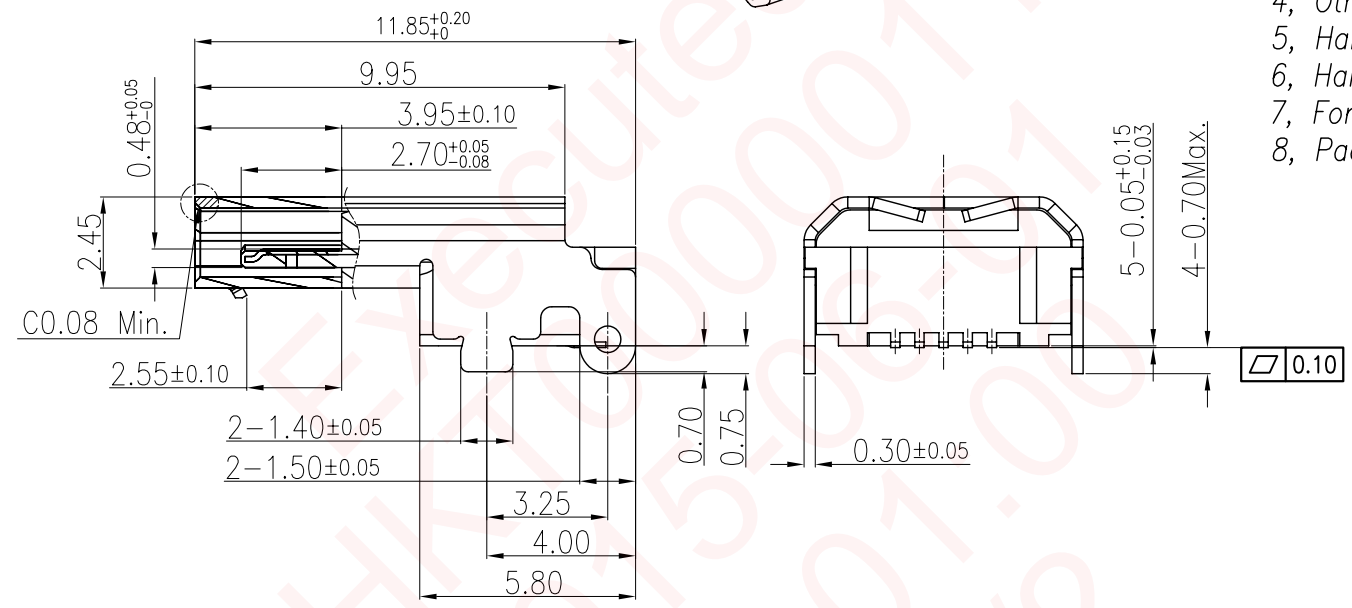
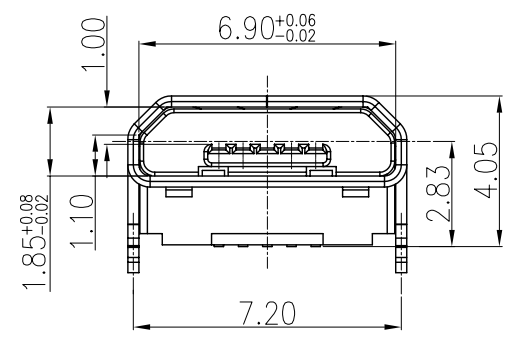
4, Other general spec to refer "Micro USB series spec";

5, Halogen free product identification Mark:

6, Halogen free product identification label on packaging:

7, For reflow soldering lead-free process;

8, Packaging: TAPE & REEL.



PCB LAYOUT (TOP VIEW)  
DIMENSION TOLERANCE: ±0.05

D	Cap	1	LCP UL94V-0	Black
C	Shell	1	SUS 0.30T	Matte nickel plated
B	Contact	5	C2680-H 0.15T	30u" Min Au on contact area, and gold flash all over, Ni plated all over.
A	Body	1	LCP UL94V-0	Black
NO	DESCRIPTION	QTY	MATERIAL	PLATING & COLOR

UNLESS OTHERWISE SPECIFIED TOLERANCES		Singatron Enterprise Co., Ltd. 信音企業股份有限公司	
DECIMALS:	ANGLES:	TITLE	MICRO USB B TYPE
X : ±0.5	X : ±2°	DWN	15/5/28
X.X : ±0.3	X.X : ±1°	CHKD	15/5/28
X.XX : ±0.2		APVD	15/5/28
		PART NO. 2UB2124-005111F	
		SCALE 5:1 UNIT: mm	
		SIZE: A3 SHEET: 1 OF 1 REV: A	
CUSTOMER COPY			