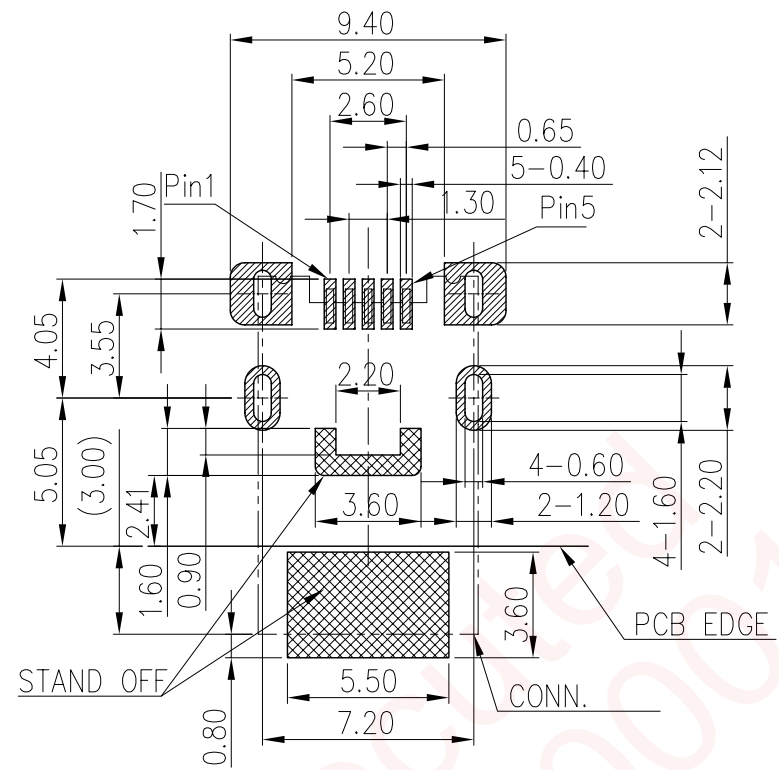
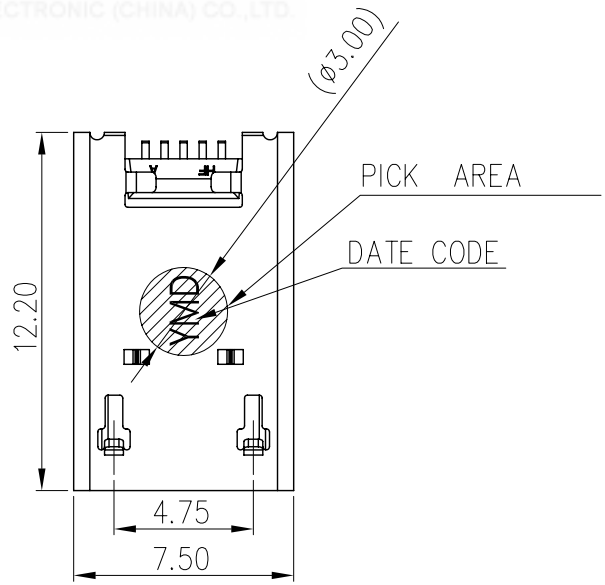


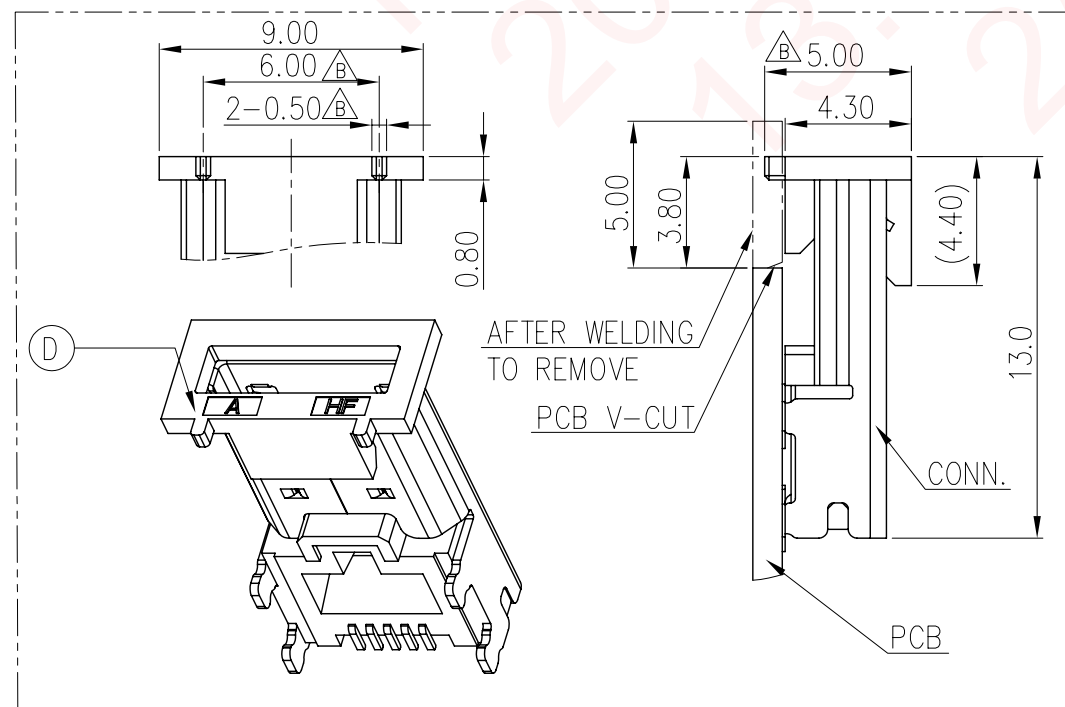
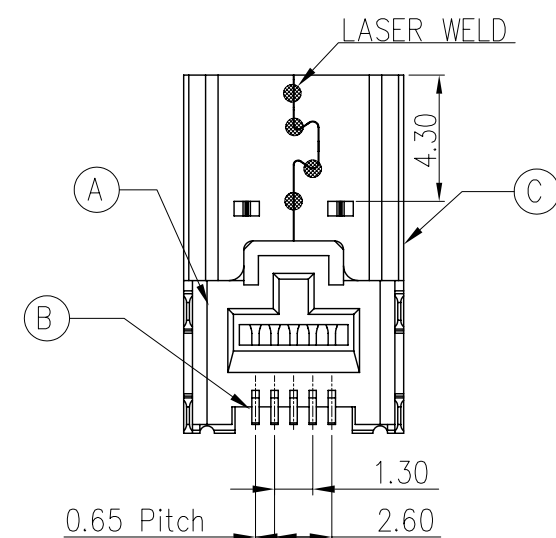
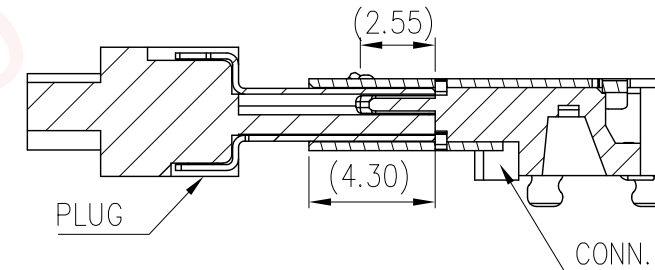
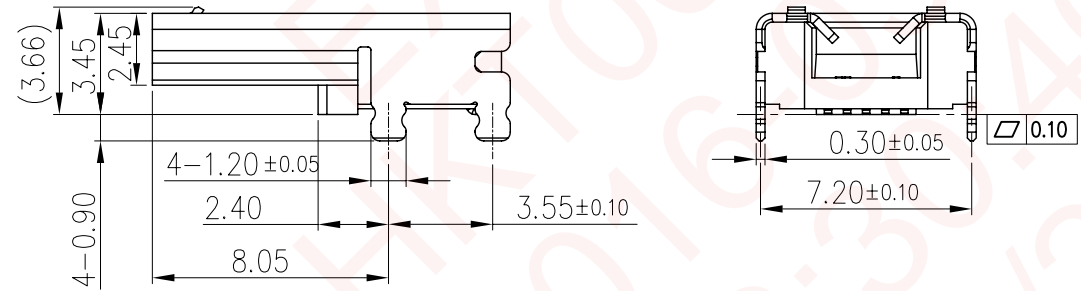
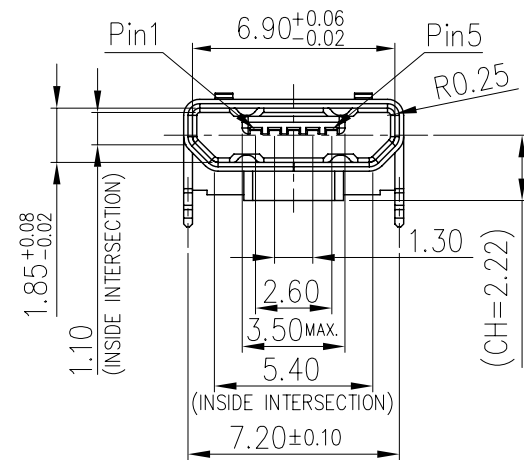
REV.	ECN NO OR DESCRIPTION	REVISED	DATE
A	PRODUCT RELEASE	Junkang	2015.06.01
B	ECN NO.: C150202 ADDED ALIGNMENT PIN FOR CUSTOMER REQUEST	Cheney	2016.02.23

SPECIFICATIONS:

- ELECTRICAL CHARACTERISTICS:**
 - 1-1. RATING: 3A (PIN1/5), 0.5A (PIN2/3/4)
 - 1-2. CONTACT RESISTANCE: 30mΩ MAX.(INITIAL), 40mΩ MAX.(FINAL).
 - 1-3. DIELECTRIC WITHSTANDING VOLTAGE: 100V AC FOR ONE MINUTE.
 - 1-4. INSULATION RESISTANCE: 100MΩ MIN. MEASURED BY 500V DC.
- MECHANICAL CHARACTERISTICS:**
 - 2-1. INSERTION FORCE :
INITIAL: 3.5 KGF (MAX.).
AFTER DURABILITY: 3.5 KGF (MAX.).
 - 2-2. WITHDRAWAL FORCE :
INITIAL: 0.8~2.5 KGF
AFTER DURABILITY: 0.8 KGF MIN.(REF)
- LIFE TEST: 10,000 CYCLES.**
- TO CONFORM TO THE SINGATRON HSF SPEC.**
- OTHER GENERAL SPEC TO REFER "MICRO USB SERIES SPEC".**
- HALOGEN FREE PRODUCT IDENTIFICATION MARK ON PRODUCT:**
- HALOGEN FREE PRODUCT IDENTIFICATION LABEL ON PACKAGING:**
- FOR REFLOW SOLDERING LEAD-FREE PROCESS.**
- PLUG INTERFACE DIMENSIONS CONFORM TO USB 2.0 SPEC.**
- PACKAGING: TAPE & REEL.**



RECOMMENDED PCB LAYOUT
TOP VIEW, TOL ±0.05



D	CAP	1	HI-TEMP. THERMOPLASTIC UL94V-0	BLACK
C	SHELL	1	STAINLESS STEEL 0.30T	NICKEL PLATING
B	TERMINAL	5	C18400 0.20T	Au 1u" MIN. ON CONTACT AREA, GOLD FLASH ON SOLDER AREA, NICKEL UNDER PLATING
A	HOUSING	1	HI-TEMP. THERMOPLASTIC UL94V-0	BLACK
NO	DESCRIPTION	QTY	MATERIAL	PLATING & COLOR

UNLESS OTHERWISE SPECIFIED TOLERANCES		Singatron Enterprise Co., Ltd. 信音企業股份有限公司		
DECIMALS:	ANGLES:	TITLE	MICRO USB B TYPE	
X : ±0.5	X : ±2°	DWN	Nanlin-Chen 16/02/29	PART NO.: 2UB2124-009111F
X.X : ±0.3	X.X : ±1°	CHKD	Qicai-Hu 16/02/29	SCALE 4:1 UNIT: mm
X.XX : ±0.2		APVD	Zij-Zhou 16/02/29	SIZE: A3 SHEET: 10F1 REV: B
CUSTOMER COPY				