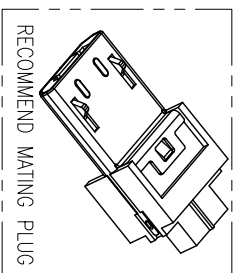
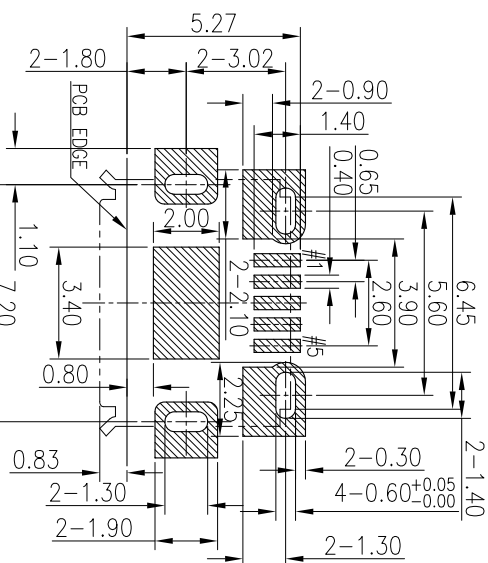


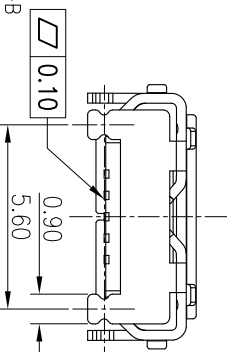
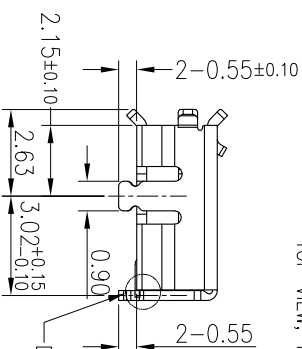
DETAIL-B (SCALE 4:1)



RECOMMEND MATING PLUG



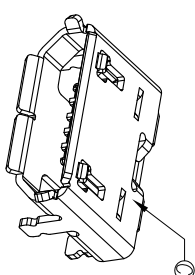
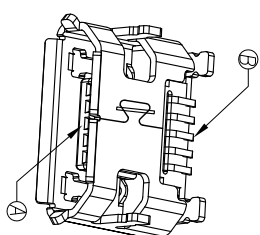
RECOMMENDED PCB LAYOUT  
TOP VIEW, TOL ±0.05



DETAIL-B

SPECIFICATIONS:

1. ELECTRICAL CHARACTERISTICS:
  - 1-1. RATING: 1.8A (PIN1/5), 0.5A (PIN2/3/4)
  - 1-2. CONTACT RESISTANCE: 30mΩ MAX.(INITIAL) 40mΩ MAX.(FINAL)
  - 1-3. DIELECTRIC WITHSTANDING VOLTAGE: 500V AC FOR ONE MINUTE.
  - 1-4. INSULATION RESISTANCE: 100MΩ MIN. MEASURED BY 500 VDC
2. MECHANICAL CHARACTERISTICS:
  - 2-1. INSERTION FORCE : 3.6 Kgf (MAX)
  - 2-2. WITHDRAWAL FORCE : 0.8 Kgf(REF)
3. LIFE TEST: 10000 CYCLES .
4. TO CONFORM TO THE SINGARON HSF SPEC.
5. HALOGEN FREE PRODUCT IDENTIFICATION MARK ON PRODUCT:
6. HALOGEN FREE PRODUCT IDENTIFICATION LABEL ON PACKAGING:
7. FOR REFLOW SOLDERING LEAD-FREE PROCESS.
8. SOLDER HEAT RESISTANCE REFLOW SOLDERING: 260°C 10SECS.
9. PLUG INTERFACE DIMENSIONS CONFORM TO USB2.0 SPEC.
10. PACKAGING:TAPE & REEL.



REV.	ECN NO OR DESCRIPTION	REVISED	DATE
A	PRODUCT RELEASE	Ares	2013/04/22

C	SHELL	1	STAINLESS STEEL 0.30T	Motte Tin
B	CONTACT	5	COPPER ALLOY 0.15T	30uAu ON CONTACT AREA GOLD FLASH ON SOLDER AREA
A	HOUSING	1	HI-TEMP. THERMO-PLASTIC UL94V-0	BLACK
NO	DESCRIPTION	QTY	MATERIAL	PLATING & COLOR
UNLESS OTHERWISE SPECIFIED TOLERANCES				
Singatron Enterprise Co., Ltd. 信登企業股份有限公司				
DECIMALS: ANGLES:				
X	:±0.5	X	:±2°	
XX	:±0.3	X.X	:±1°	
XXX	:±0.2			
TITLE MICRO USB B TYPE RECEPTACLE				
DWN	13/5/21	Area	PART NO. 2UB2129-000111F	
CHKD	13/5/21	Scale	1:1	UNIT: mm
APVD	13/5/21	Size	A3	SHEET: 1 OF 1 REV:A
CUSTOMER COPY				