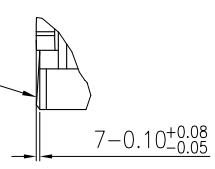
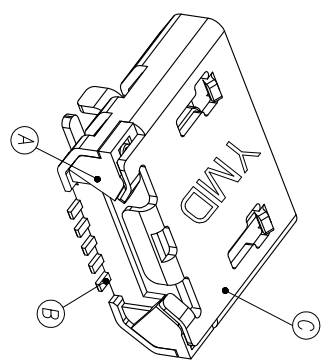
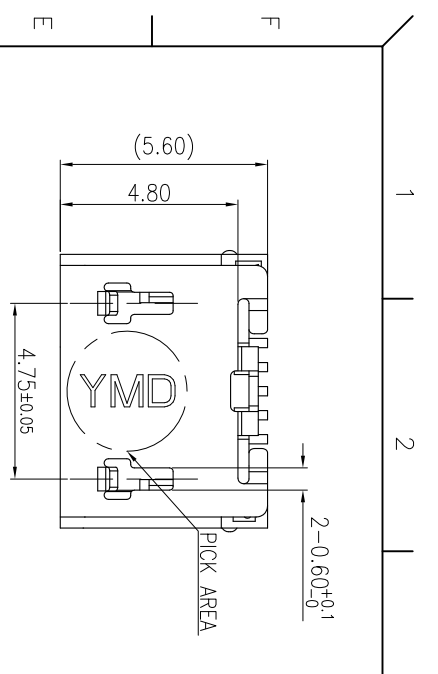
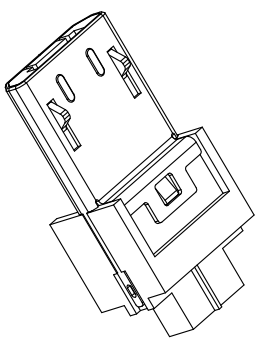
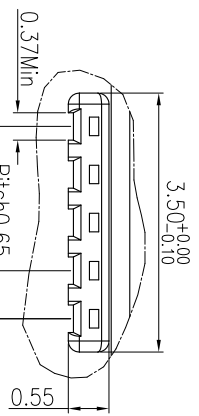
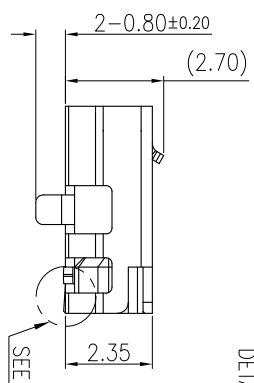
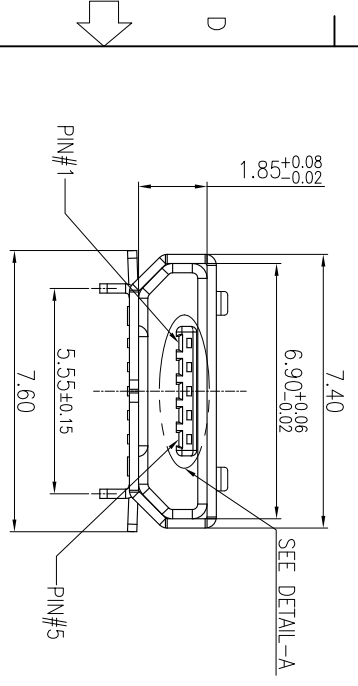


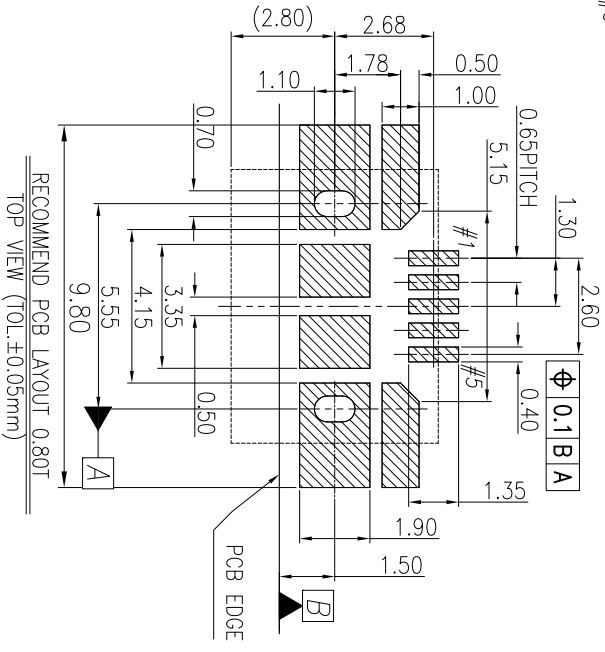
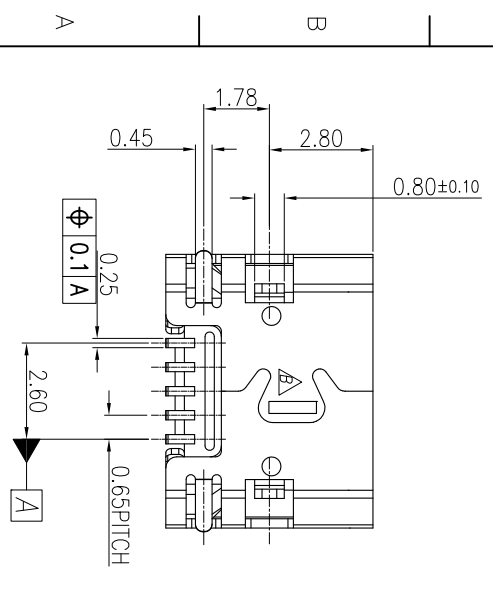
| REV | ECN NO OR DESCRIPTION | REVISED | DATE |
|-----|-------------------------------|---------|------------|
| A | PRODUCT RELEASE | Ares | 2012.08.02 |
| B | ECN NO:G130233 UPDATE DRAWING | TFY | 2014.1.9 |



DETAIL-B (SCALE 10:1)



RECOMMEND MATING PLUG



RECOMMEND PCB LAYOUT 0.80T
TOP VIEW (TOL.±0.05mm)

| NO | DESCRIPTION | QTY | MATERIAL | PLATING & COLOR |
|----|-------------|-----|---------------------------------|--|
| C | SHELL | 1 | STAINLESS STEEL 0.25T | NICKEL PLATED ALL OVER |
| B | CONTACT | 5 | COPPER ALLOY 0.15T | Au 30μ" ON CONTACT AREA GOLD FLASH ON SOLDER AREA |
| A | HOUSING | 1 | HI-TEMP. THERMO-PLASTIC UL94V-0 | BLACK |

UNLESS OTHERWISE SPECIFIED TOLERANCES

DECIMALS: ANGLES:

X :±0.5 X :±2°
X.X :±0.3 X.X :±1°
X.XX :±0.2

Singatron Enterprise Co., Ltd.
信登企業股份有限公司

TITLE: MICRO USB RECEPTACLE

DWN: TPY 14/1/14 PART NO. 2UB2130-000111F

CHKD: zzz 14/1/14 SCALE: 4:1 UNIT: mm

APVD: Liao 14/1/14 SIZE: A3 SHEET: 1 OF 1 REV: B

CUSTOMER COPY