

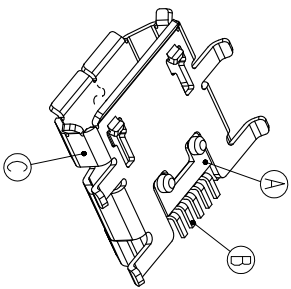
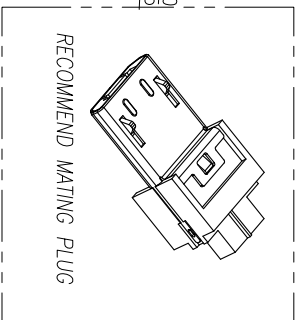
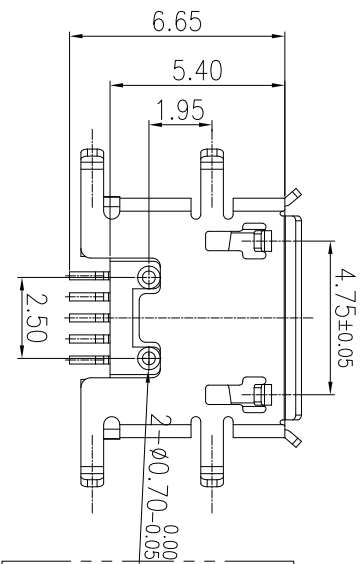
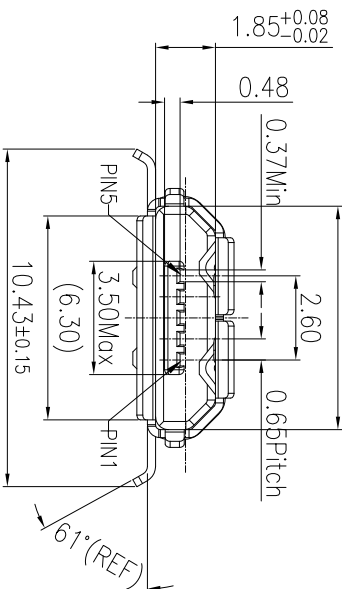
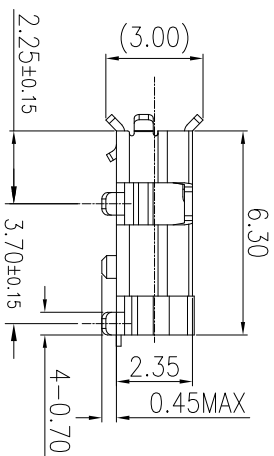
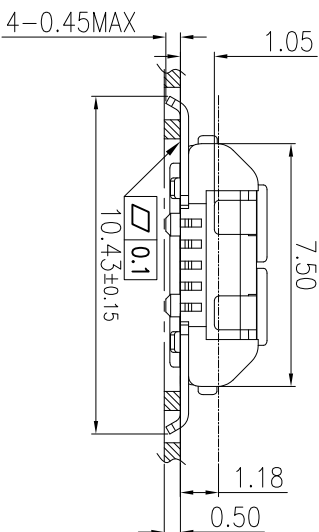
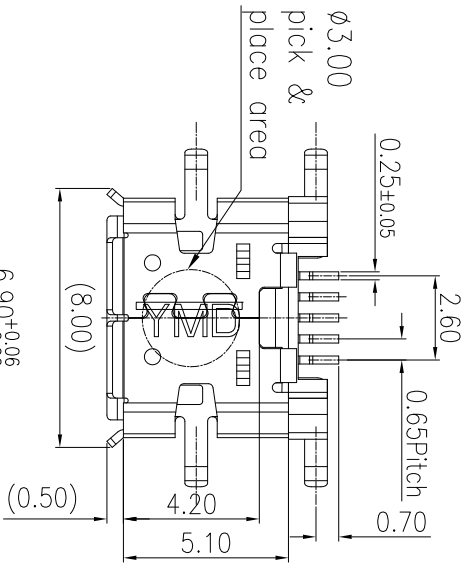
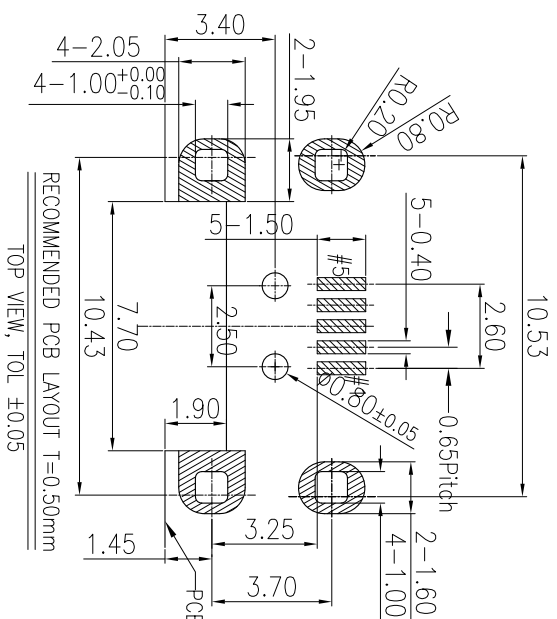



REV.	EGN NO OR DESCRIPTION	REVISED	DATE
A	PRODUCT RELEASE	Landy	2013.10.22

- SPECIFICATIONS:
- ELECTRICAL CHARACTERISTICS:
 - RATING: 1.8A (PIN1/5), 0.5A (PIN2/3/4)
 - CONTACT RESISTANCE: 30mΩ MAX.(INITIAL) 40mΩ MAX.(FINAL)
 - DIELECTRIC WITHSTANDING VOLTAGE: 500V AC FOR ONE MINUTE.
 - INSULATION RESISTANCE: 100MΩ MIN. MEASURED BY 500 VDC
 - MECHANICAL CHARACTERISTICS:
 - INSERTION FORCE : 3.6 KGF (MAX)
 - WITHDRAWAL FORCE : 0.8 KGF(Reference)
 - LIFE TEST: 10,000 CYCLES .
 - TO CONFORM TO THE SINGATRON HSF SPEC.
 - HALOGEN FREE PRODUCT IDENTIFICATION MARK ON PRODUCT: 
 - HALOGEN FREE PRODUCT IDENTIFICATION LABEL ON PACKAGING: 
 - FOR REFLOW SOLDERING LEAD-FREE PROCESS.
 - SOLDER HEAT RESISTANCE REFLOW SOLDERING: 260C 10SECS.
 - PLUG INTERFACE DIMENSIONS CONFORM TO USB2.0 SPEC.
 - PACKAGING: TAPE & REEL.



C	SHELL	1	STAINLESS STEEL 0.25T	Au 3µm ON SOLDER AREA Ni 50µm PLATING ALL OVER
B	CONTACT	5	COPPER ALLOY 0.15T	30µAu ON CONTACT AREA GOLD FLASH ON SOLDER AREA ALL OVER NICKEL PLATED.
A	HOUSING	1	HI-TEMP. THERMO-PLASTIC	WHITE
NO	DESCRIPTION	QTY	MATERIAL	PLATING & COLOR

UNLESS OTHERWISE SPECIFIED TOLERANCES

 Singatron Enterprise Co., Ltd.
信登企業股份有限公司

TITLE	MICRO USB B TYPE REVERSE RECEPTACLE
DWN	13/10/23
CHKD	13/10/23
APVD	13/10/23
DECIMALS:	ANGLES:
X :±0.5	X :±2°
X.X :±0.3	X.X :±1°
X.XX :±0.2	

CUSTOMER COPY

