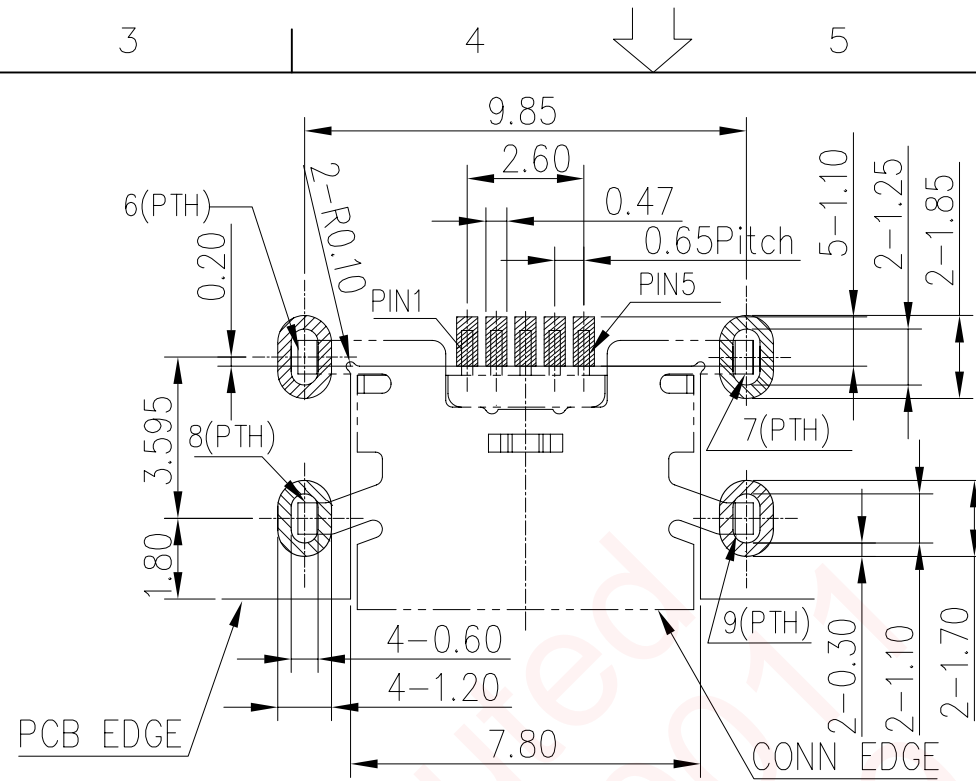
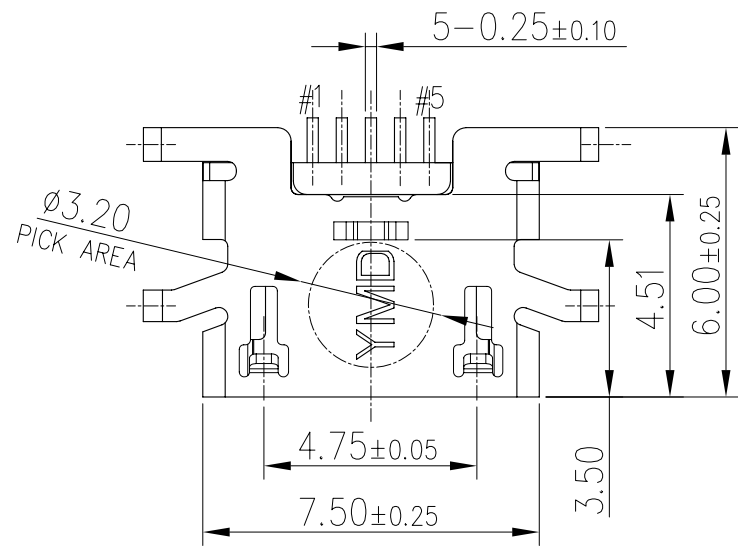


| REV. | ECN NO OR DESCRIPTION | REVISED | DATE |
|------|-----------------------|---------|------------|
| A | PRODUCT RELEASE | REX | 2015.04.20 |

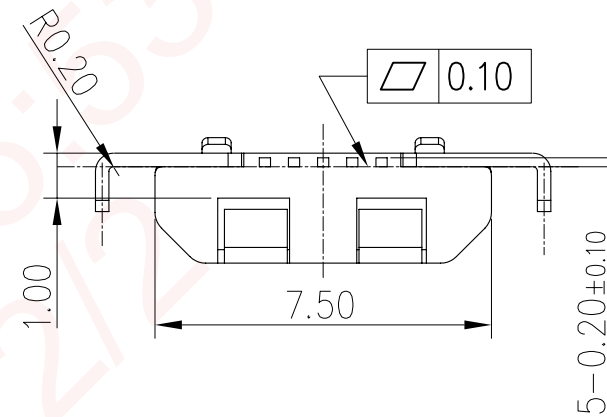
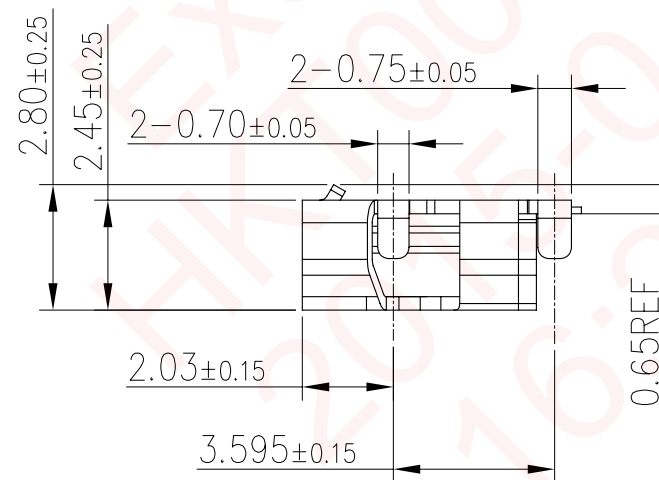
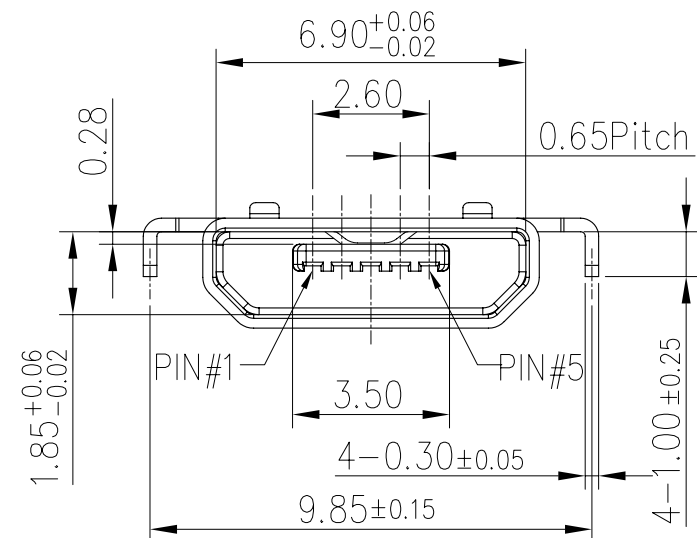
SPECIFICATIONS:

- ELECTRICAL CHARACTERISTICS:**
 - 1-1. RATING: 1.8A (PIN1/5), 0.5A (PIN2/3/4)
 - 1-2. CONTACT RESISTANCE: 30mΩ MAX.(INITIAL) 40mΩ MAX.(FINAL)
 - 1-3. DIELECTRIC WITHSTANDING VOLTAGE: 100V AC FOR ONE MINUTE.
 - 1-4. INSULATION RESISTANCE: 100MΩ MIN.
- MECHANICAL CHARACTERISTICS:**
 - 2-1. INSERTION FORCE: 3.6 KGF (MAX.)
 - 2-2. WITHDRAWAL FORCE: 0.8 KGF(Reference)
- LIFE TEST: 10,000 CYCLES.**
- TO CONFORM TO THE SINGATRON HSF SPEC.**
- HALOGEN FREE PRODUCT IDENTIFICATION MARK ON PRODUCT:**
- HALOGEN FREE PRODUCT IDENTIFICATION LABEL ON PACKAGING:**
- FOR REFLOW SOLDERING LEAD-FREE PROCESS.**
- SOLDER HEAT RESISTANCE REFLOW SOLDERING 260°C 10SECS.**
- PLUG INTERFACE DIMENSIONS COMFORM TO USB2.0 SPEC.**
- PACKAGING: TAPE & REEL.**



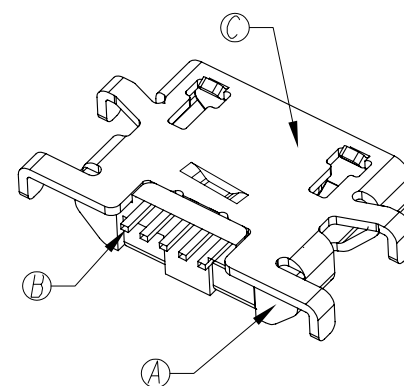
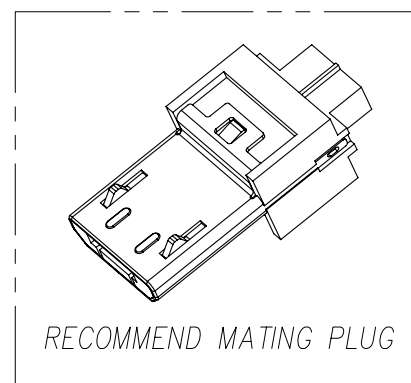
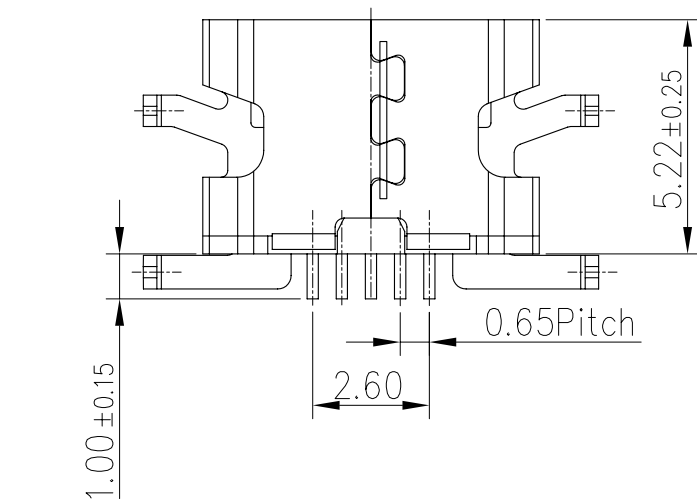
RECOMMENDED PCB LAYOUT

TOP VIEW, TOL ±0.05
(PIN6-PIN9 PEG SOLDERING)



Micro Usb Pin Assignments:

| Contact Number | Signal Name |
|----------------|-------------|
| 1 | VBUS |
| 2 | D- |
| 3 | D+ |
| 4 | ID |
| 5 | GND |
| SHELL | Shield |



| | | | | |
|----|-------------|-----|---------------------------------|---|
| C | SHELL | 1 | STAINLESS STEEL 0.30T | NI PLATED |
| B | CONTACT | 5 | COPPER ALLOY 0.20T | 30u" Au/Ni ON CONTACT AREA GOLD FLASH ON SOLDER AREA All Over Nickel Plated |
| A | HOUSING | 1 | HI-TEMP. THERMO-PLASTIC UL94V-0 | 研發部(CS) BLACK |
| NO | DESCRIPTION | QTY | MATERIAL | PLATING & COLOR |

UNLESS OTHERWISE SPECIFIED TOLERANCES

DECIMALS: ANGLES:
X :±0.5 X :±2°
X.X :±0.3 X.X :±1°
X.XX :±0.2

Singatron Enterprise Co., Ltd.
信音企業股份有限公司

| | | | |
|-------|-----------------------------|--------------------------|---------------|
| TITLE | MICRO USB B TYPE RECEPTACLE | | |
| DWN | REX 2015.04.29 | PART NO. 2UB2133-000114F | |
| CHKD | WZJ 2015.04.29 | SCALE 5:1 | UNIT: mm |
| APVD | ZJZ 2015.04.29 | SIZE: A3 | SHEET: 1 OF 1 |

CUSTOMER COPY