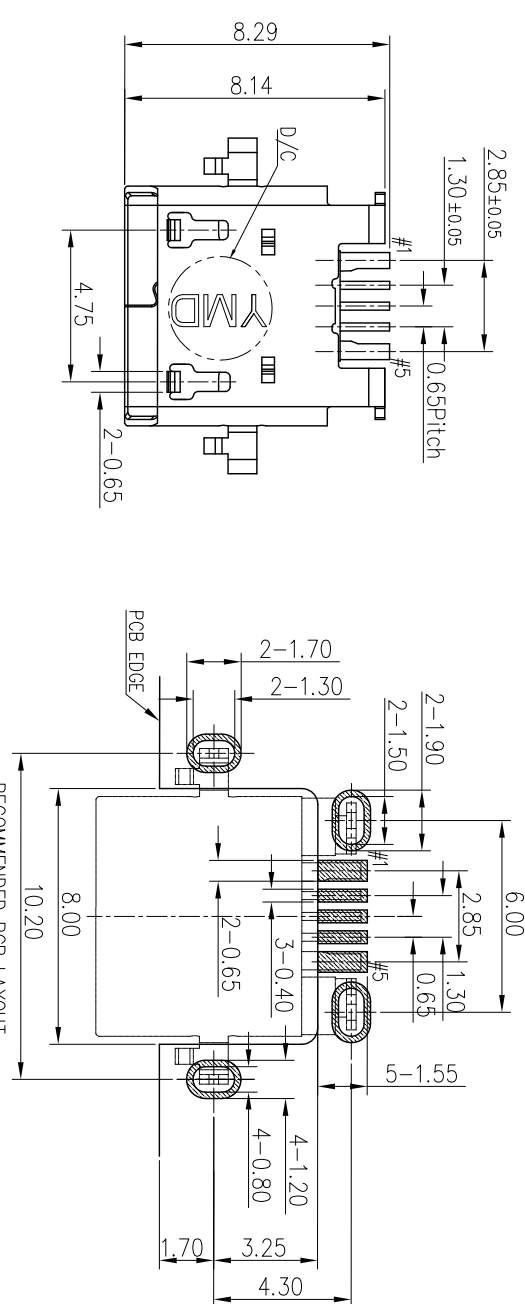
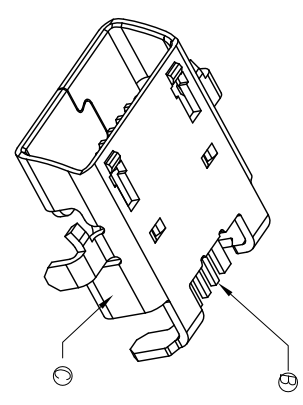
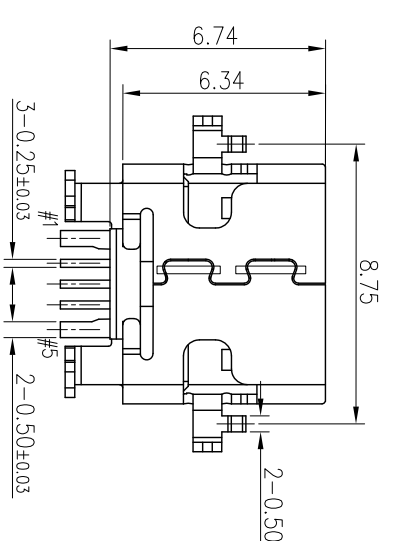
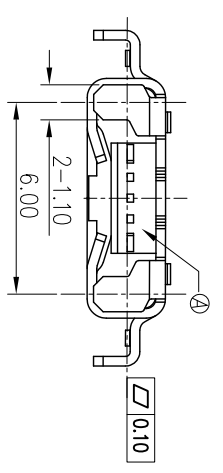
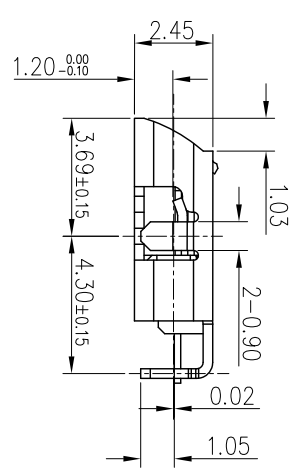
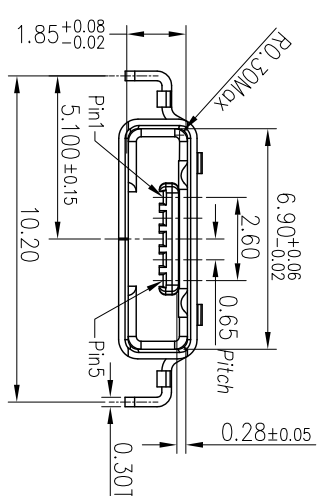


REV/ECN NO OR DESCRIPTION	REVISED	DATE
A PRODUCT RELEASE	yusheng	2013.06.07



- SPECIFICATIONS:**
- ELECTRICAL CHARACTERISTICS:
 - RATING: 3A (PIN1/5) 0.5A (PIN2/3/4)
 - CONTACT RESISTANCE: 30mΩ MAX(INITIAL)40mΩ MAX(FINAL)
 - DIELECTRIC WITHSTANDING VOLTAGE: 500V AC FOR ONE MINUTE
 - INSULATION RESISTANCE: 100MΩ MIN. MEASURED BY 500 VDC
 - MECHANICAL CHARACTERISTICS:
 - INSERTION FORCE : 3.6 kgf (MAX)
 - WITHDRAWAL FORCE : 0.8 kgf(REF)
 - LIFE TEST: 10000 CYCLES.
 - TO CONFORM TO THE SINGATRON HSF SPEC.
 - HALOGEN FREE PRODUCT IDENTIFICATION LABEL ON PRODUCT.
 - HALOGEN FREE PRODUCT IDENTIFICATION LABEL ON PACKAGING.
 - FOR REFLOW SOLDERING LEAD-FREE PROCESS.
 - SOLDER HEAT RESISTANCE REFLOW SOLDERING: 260°C 10SECS.
 - PLUG INTERFACE DIMENSIONS CONFORM TO USB2.0 SPEC.
 - PACKAGING: TAPE & REEL.



C	SHELL	1	STAINLESS STEEL 0.30T NICKEL
B	CONTACT	5	COPPER ALLOY 0.20T 30u Au ON CONTACT AREA GOLD FLASH ON SOLDER AREA
A	HOUSING	1	HI-TEMP THERMO-PLASTIC UL94V-0 BLACK
NO	DESCRIPTION	QTY	MATERIAL
UNLESS OTHERWISE SPECIFIED TOLERANCES			
DECIMALS: ANGLES:			
X	:±0.5	X	:±2°
X.X	:±0.3	X.X	:±1°
X.XX	:±0.2		
TITLE: MICRO USB AB TYPE RECEPTACLE			
DWN: Yusheng 13/6/13 PART NO. 2UB2136-000111F			
CHKD: Mcken 13/6/13 SCALE 1:1 UNIT: mm			
APVD: Labo 13/6/13 SIZE: A3 SHEET: 1 OF 1 REV:A			
CUSTOMER COPY			

Singatron Enterprise Co., Ltd.
信音企業股份有限公司