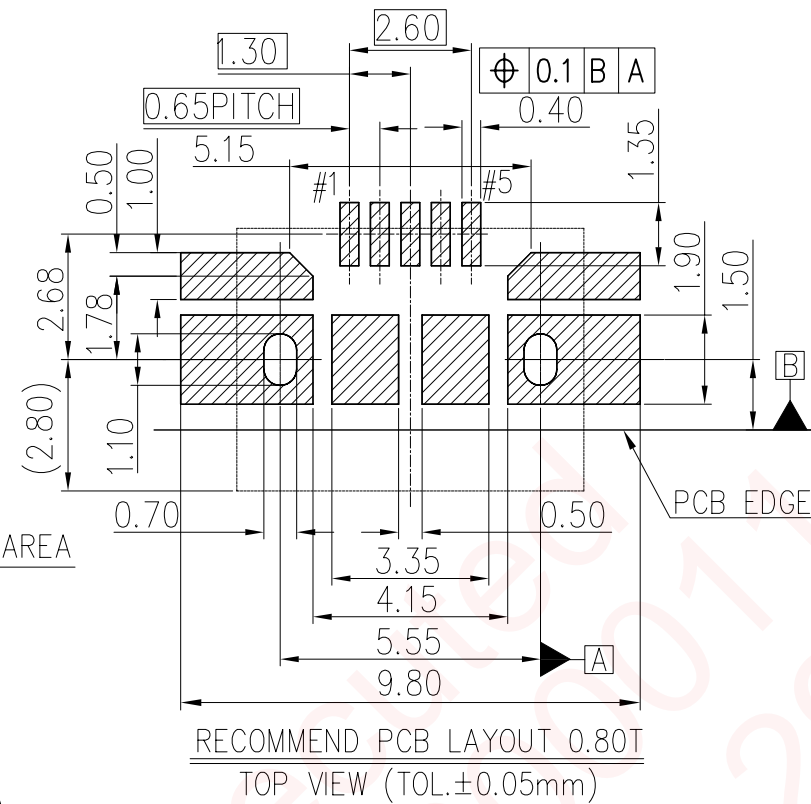
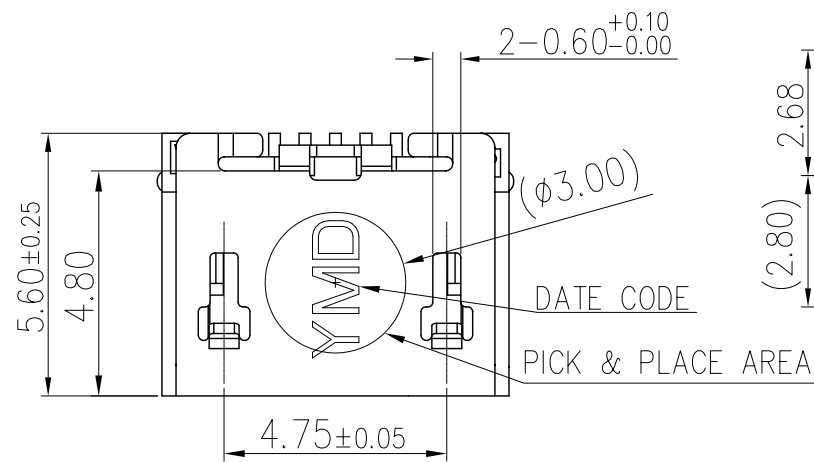
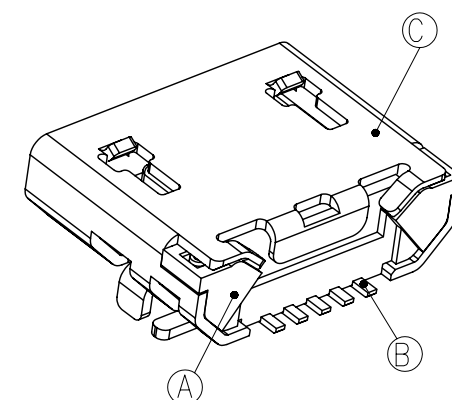
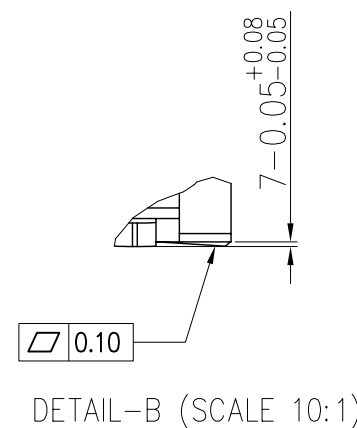
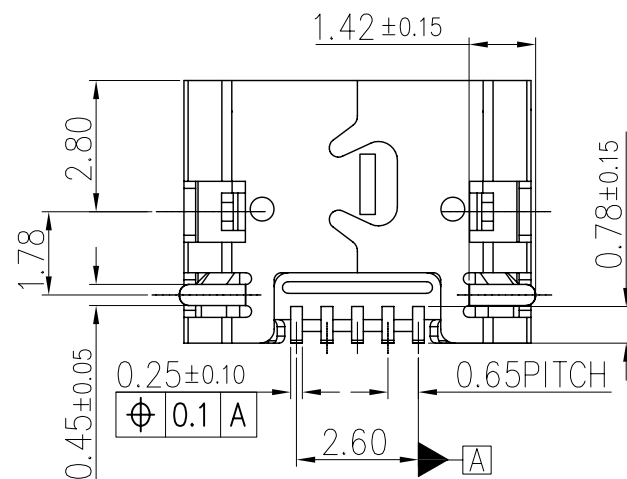
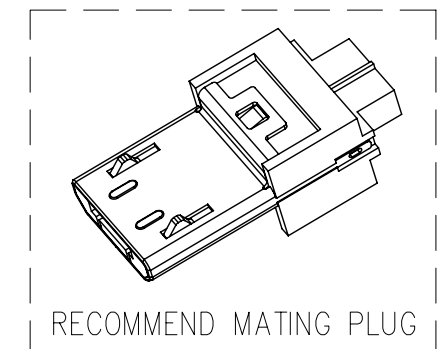
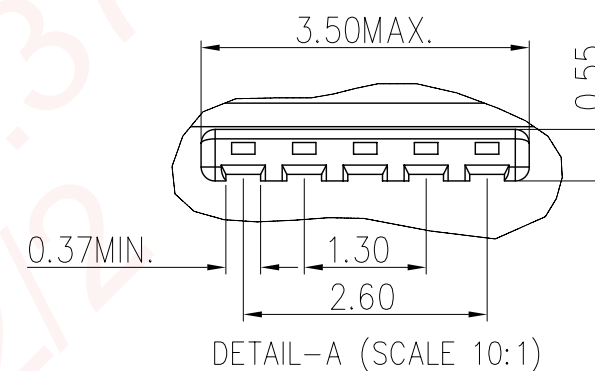
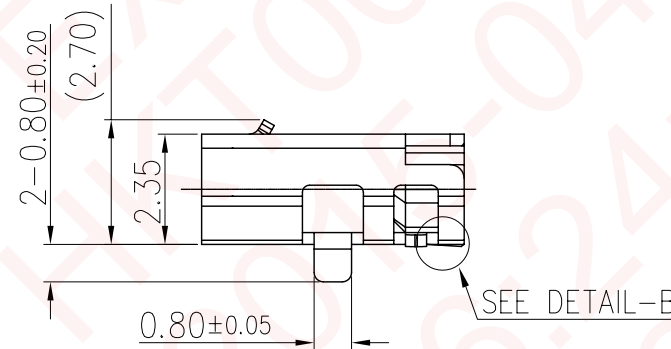
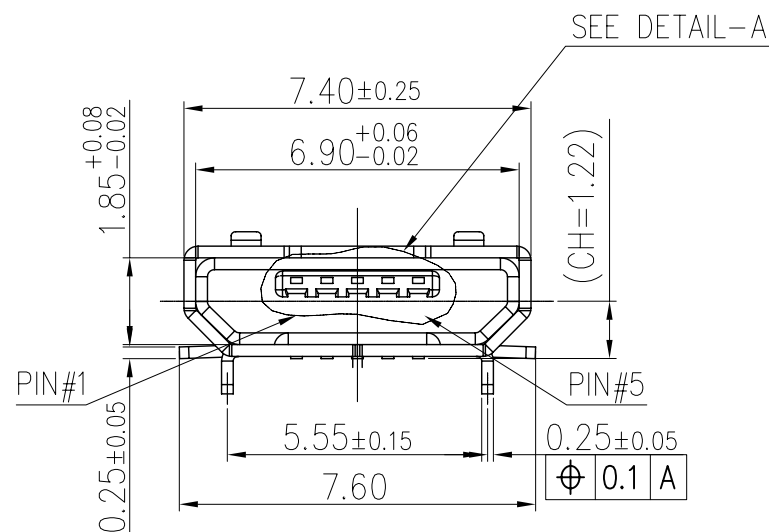


REV.	ECN NO OR DESCRIPTION	REVISED	DATE
A	PRODUCT RELEASE	Junkang	2015.04.03



SPECIFICATIONS:

- ELECTRICAL CHARACTERISTICS:
 - RATING: 2A (PIN1/5), 0.5A (PIN2/3/4)
 - CONTACT RESISTANCE: 30mΩ MAX.(INITIAL)40mΩ MAX.(FINAL)
 - DIELECTRIC WITHSTANDING VOLTAGE: 500V AC FOR ONE MINUTE.
 - INSULATION RESISTANCE: 100MΩ MIN. MEASURED BY 500V DC
- MECHANICAL CHARACTERISTICS:
 - INSERTION FORCE : 3.6 KGF (MAX.)
 - WITHDRAWAL FORCE : 0.8 KGF (REF.)
- LIFE TEST: 10,000 CYCLES .
- OTHER GENERAL SPEC. TO REFER "MICRO USB SERIES SPEC".
- TO CONFORM TO THE SINGATRON HSF SPEC.
- HALOGEN FREE PRODUCT IDENTIFICATION MARK ON PRODUCT:
- HALOGEN FREE PRODUCT IDENTIFICATION LABEL ON PACKAGING:
- FOR REFLOW SOLDERING LEAD-FREE PROCESS.
- SOLDER HEAT RESISTANCE REFLOW SOLDERING 260°C 10SECS.
- PLUG INTERFACE DIMENSIONS COMFORM TO USB2.0 SPEC.
- PACKAGING: TAPE & REEL.



C	SHELL	1	STAINLESS STEEL 0.25T	BLACK/NICKEL
B	CONTACT	5	COPPER ALLOY 0.15T	GOLD FLASH ON CONTACT AND SOLDER AREA, ALL OVER Ni PLATED.
A	HOUSING	1	HI-TEMP.THERMO-PLASTIC UL94V-0	BLACK
NO	DESCRIPTION	QTY	MATERIAL	PLATING & COLOR
UNLESS OTHERWISE SPECIFIED TOLERANCES		Singatron Enterprise Co., Ltd. 信音企業股份有限公司		
DECIMALS: ANGLES:		TITLE: MICRO USB RECEPTACLE		
X	:±0.5	X	:±2°	DWN Junkang-Zhong 15/4/28 PART NO. 2UB2141-000121F
X.X	:±0.3	X.X	:±1°	CHKD Zhijun-Wei 15/4/28 SCALE 6:1 UNIT: mm
X.XX	:±0.2	APVD	Zjz-Zhou 15/4/28	SIZE: A3 SHEET: 10E1 REV: A
CUSTOMER COPY				