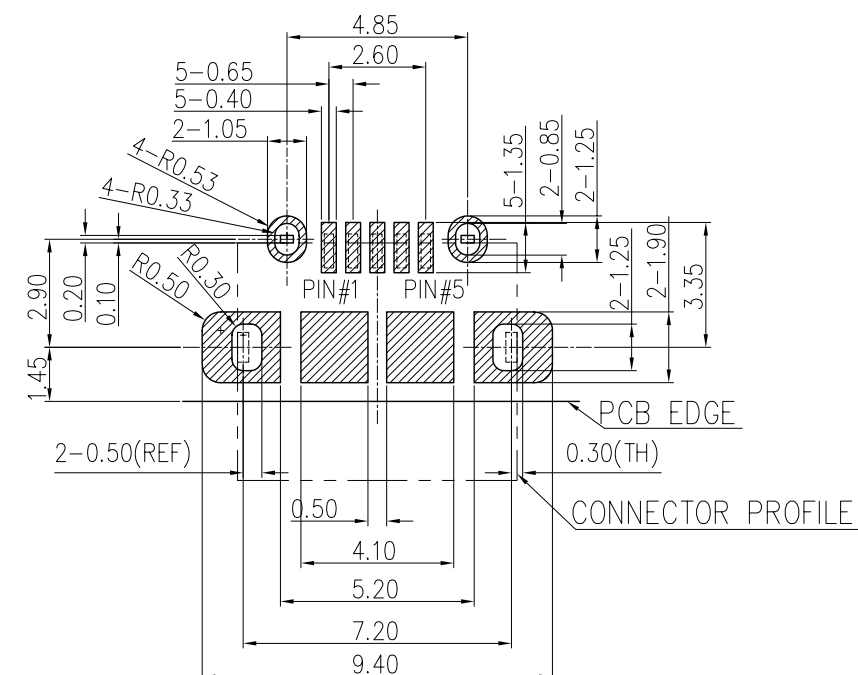
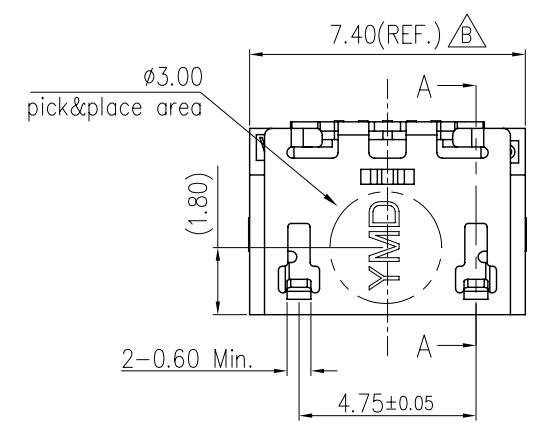
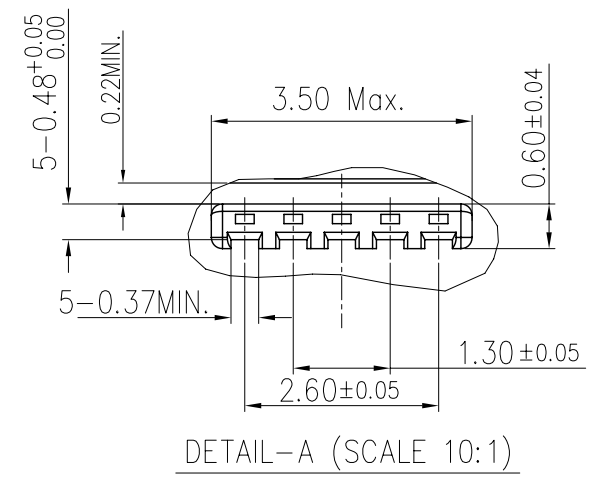
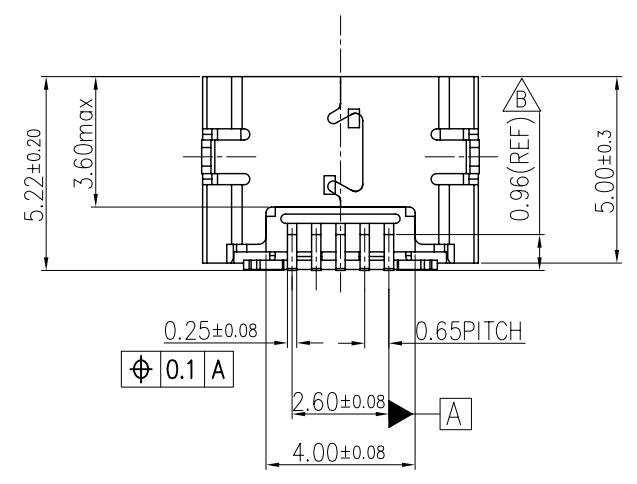
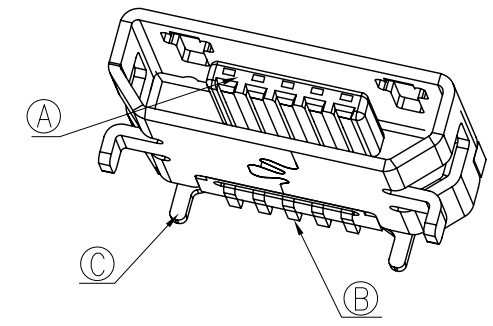
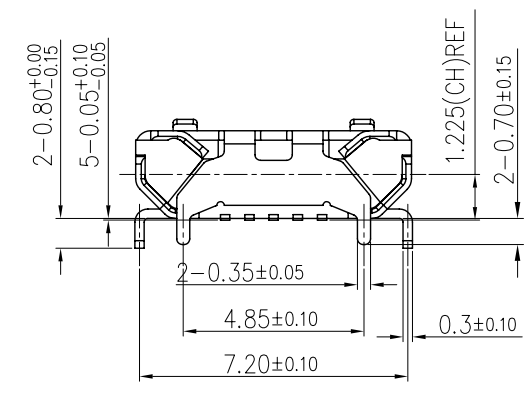
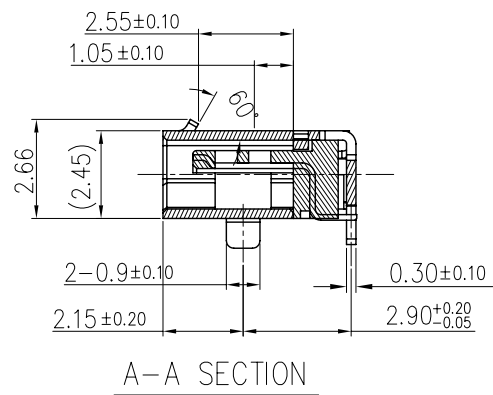
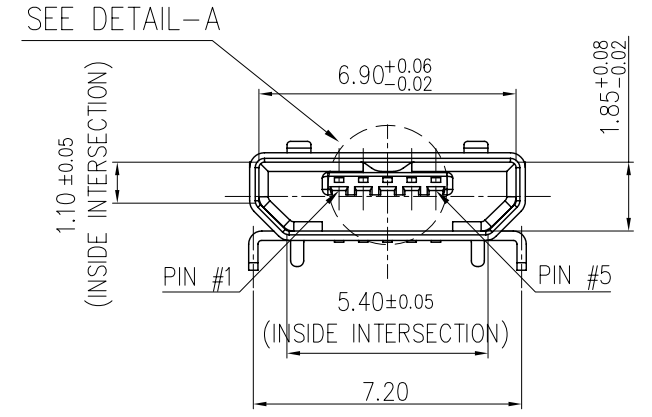


REV.	ECN NO OR DESCRIPTION	REVISED	DATE
A	PRODUCTED RELEASED	Junkang	2014.09.01
B	ECN:C170019 UPDATE DRAWING	Junkang	2017.03.25

- SPECIFICATIONS:
- ELECTRICAL CHARACTERISTICS:
    - 1-1. RATING: 2.0A (PIN1/5), 0.5A (PIN2/3/4)
    - 1-2. CONTACT RESISTANCE: 30mΩMAX.(INITIAL),50mΩMAX.(FINAL)
    - 1-3. DIELECTRIC WITHSTANDING VOLTAGE: 100VAC FOR ONE MINUTE.
    - 1-4. INSULATION RESISTANCE: 100M MIN(Finish). MEASURED BY 500VDC.
  - MECHANICAL CHARACTERISTICS:
    - 2-1. INSERTION FORCE : 3.6 KGF(MAX)
    - 2-2. WITHDRAWAL FORCE : 0.8 KGF(Reference)
  - LIFE TEST: 10,000 CYCLES.
  - TO CONFORM TO THE SINGATRON HSF SPEC.
  - OTHER GENERAL SPEC TO REFER "2UB2162-001111F SPEC".
  - HALOGEN FREE PRODUCT IDENTIFICATION MARK ON PRODUCT:
  - HALOGEN FREE PRODUCT IDENTIFICATION LABEL ON PACKAGING:
  - FOR REFLOW SOLDERING LEAD-FREE PROCESS.
  - SOLDER HEAT RESISTANCE REFLOW SOLDERING 260°C 10SECS.
  - PLUG INTERFACE DIMENSIONS COMFORM TO USB2.0 SPEC.
  - PACKAGING: TAPE & REEL.



RECOMMEND PCB LAYOUT 0.80T  
TOP VIEW (TOL.±0.05mm)



C	SHELL	1	STAINLESS	NI60u"Min(N4)
B	CONTACT	5	COPPER ALLOY	30u"Au ON CONTACT AREA GOLD FLASH ON SOLDER AREA
A	BODY	1	HIGHT TEMP THERMDPLASTIC UL94V-0	BLACK
NO	DESCRIPTION	QTY	MATERIAL	PLATING & COLOR

UNLESS OTHERWISE SPECIFIED TOLERANCES		Singatron Enterprise Co., Ltd. 信音企業股份有限公司		
DECIMALS:	ANGLES:	TITLE	MICRO USB B TYPE RECEPTACLE	
X : ±0.5	X : ±2°	DWN	weijie-Zeng 17/03/29	PART NO. 2UB2162-001111F
X.X : ±0.3	X.X : ±1°	CHKD	Qicai-Hu 17/03/29	SCALE 5:1 UNIT: mm
X.XX : ±0.2		APVD	Zjz-Zhou 17/03/29	SIZE: A3 SHEET: 10F1 REV: B
CUSTOMER COPY				