

RECOMMENDED P.C.B. LAYOUT (T:1.00mm)  
 TOLERANCE UNSPECIFIED ±0.05mm

NOTE:

1. MATERIAL SPECIFICATION:

1. HOUSING: LCP self color, UL94 V-0.
2. CONTACTS: COPPER ALLOY (C7025)
3. MID PLATE: STAINLESS STEEL (SUS301)
4. FRONT SHELL: STAINLESS STEEL (SUS304)
5. BACK COVER: STAINLESS STEEL (SUS304)

2. PLATING SPECIFICATION:

2-1. CONTACTS:

- Ni 50u" MIN. UNDER PLATED OVER ALL.
- 1u" Au PLATED ON THE FUNCTIONAL AREA OF CONTACT.

2-2. SHELL:

- Ni 50u" MIN. UNDER PLATED OVER ALL.

2-3. MID PLATE&BACK COVER:

CLEAR ONLY

3. MECHANICAL PERFORMANCE,

- 3-1. INSERTION FORCE: 0.5~2.0kgf.
- 3-2. REMOVAL FORCE: 0.8kgf~2.0kgf.
- 3-3. DURABILITY: 10000 CYCLES.

4. ELECTRICAL PERFORMANCE,

- 4-1. CURRENT RATING: 3.0A  
VOLTAGE RATING: 5.0V
- 4-2. LLCR:  
VBUS & GND PINS AND OTHER PINS: 40mΩ /PIN MAX.  
SHIELD: 50mΩ /MAX.  
LLCR MAX. CHANGE OF ALL PINS: 10mΩ.
- 4-3. INSULATION RESISTANCE: 100MΩ MIN

ITEM	PART NAME	Q'TY	Material
1	Housing	1	LCP+30%GF,self color
2	CONTACT	14	COPPER Alloy T=0.12, GOLD G/F. NICKEL 50u"Min.
3	FRONT SHELL	1	SUS304,T=0.30 NICKEL 50u"Min.
4	BACK COVER	1	SUS304,T=0.2 NICKEL 50u"Min.
5	MID PLATE	1	SUS301,T=0.15,

USB TYPE-C PIN ASSIGNMENTS

PIN NUMBER	SIGNAL NAME	PIN NUMBER	SIGNAL NAME
A1	GND	B12	GND
A4	VBUS	B9	VBUS
A5	CC1	B8	SBU2
A6	Dp1	B7	Dn2
A7	Dn1	B6	Dp2
A8	SBU1	B5	CC2
A9	VBUS	B4	VBUS
A12	GND	B1	GND

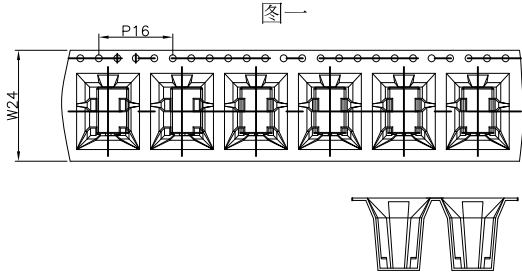
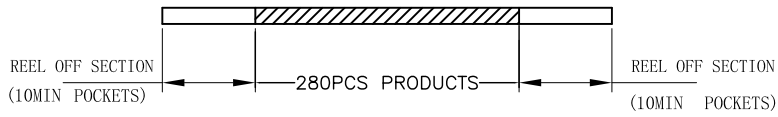
GENERAL TOLERANCES  
(UNLESS SPECIFIED)

x.xxxxx	± ---
x.xxx	± ---
x.xx	± 0.25
x.x	± 0.30
ANGULAR	± ---°

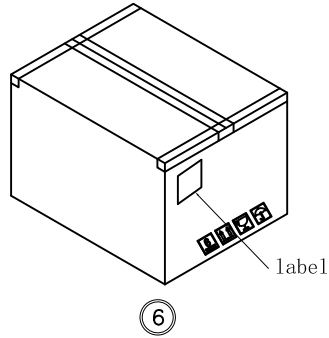
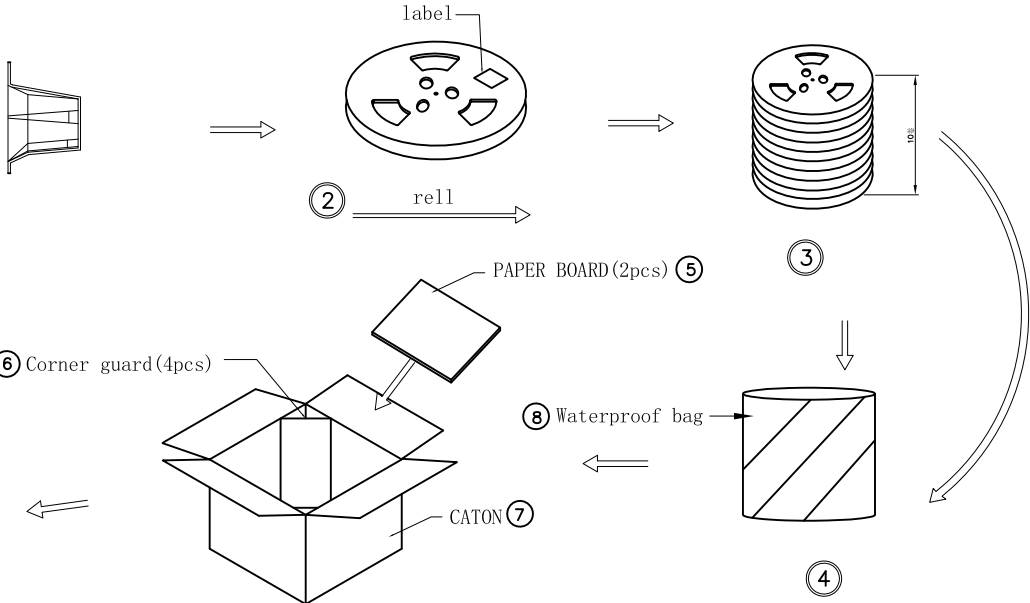
Singatron Enterprise Co., Ltd.

TITLE	TYPE C 16PIN 侧插成品			
DWN	SLF	PART NO. 2UB228100-040R		
CHKD	2018/05/28	SCALE 1:1	UNIT: mm	④
APVD	David	SIZE: A3	SHEET: 1 OF 2	REV: A

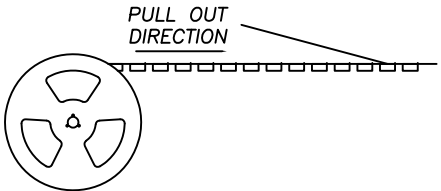
CUSTOMER COPY



① Product schematic diagram



⑥



	REEL/TRAY	CARTON
CONNECTOR (PCS)	280	2800

GENERAL TOLERANCES (UNLESS SPECIFIED)	
x.xxxxx	± ---
x.xxx	± ---
x.xx	± 0.25
x.x	± 0.30
ANGULAR	± ---°

Singatron Enterprise Co., Ltd.				
TITLE	TYPE C 16PIN 侧插成品 (包装图)			
DWN	SLF	PART NO. 2UB228100-040R		
CHKD	2018/05/28	SCALE 1:1	UNIT: mm	④
APVD	David	SIZE: A3	SHEET: 2 OF 2	REV: A
CUSTOMER COPY				