
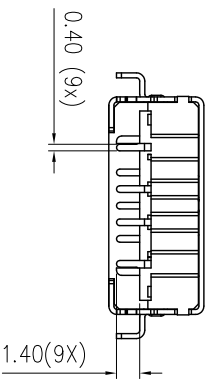
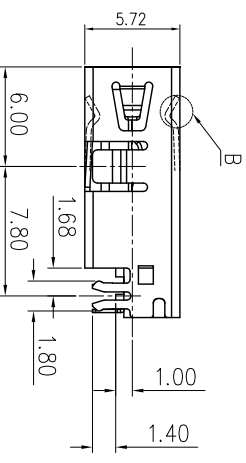
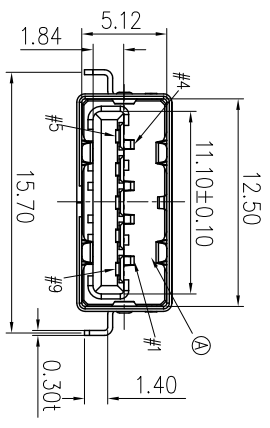
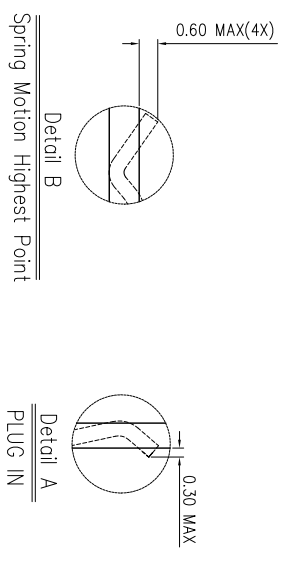
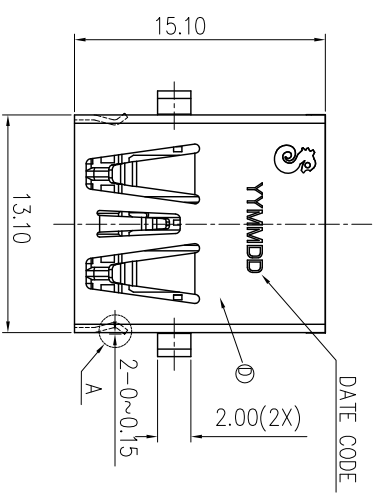


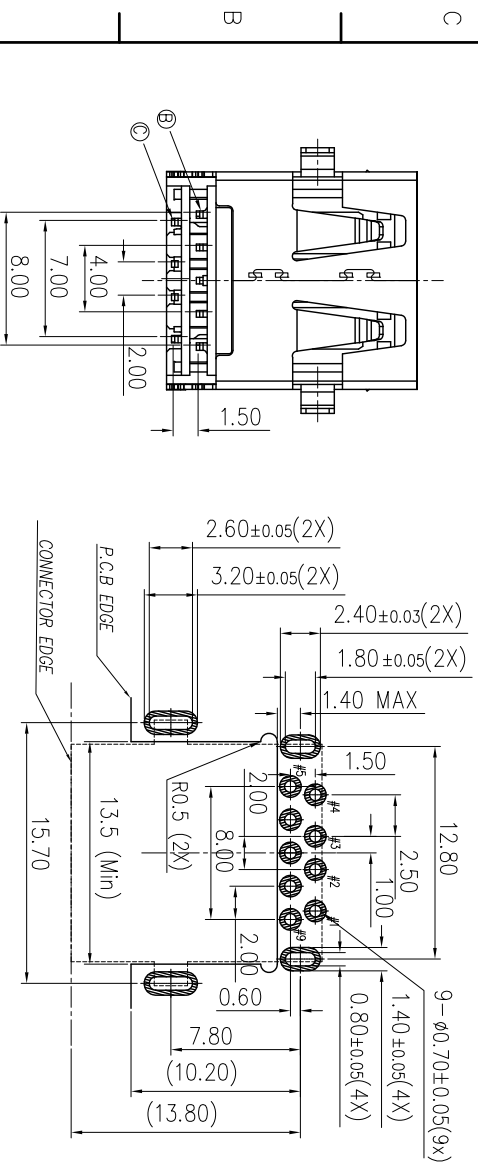
REV.	ECN NO. OR DESCRIPTION	REVISED	DATE
A	PRODUCE RELEASE	Hewei	2013.04.25
B	ECN NO.: C130179 Update drawing	ZLS	2013.08.22

SPECIFICATIONS:

- ELECTRICAL CHARACTERISTICS:
 - CURRENT RATING: 2.0A (PIN1,4) ; OTHER CONTACTS 0.25A
 - CONTACT RESISTANCE: 30mΩ MAX.
 - DIELECTRIC WITHSTANDING VOLTAGE: 100V AC FOR 1 MINUTE
 - INSULATION RESISTANCE: 100MΩ MIN
- MECHANICAL CHARACTERISTICS:
 - INSERTION FORCE : 3.0 Kgf MAX
 - WITHDRAWAL FORCE : 0.7 Kgf MIN
- DURABILITY: 5,000 CYCLES.
- OTHER SPEC TO REFER "ZUB2306-000111F" SPEC.
- TO CONFORM TO SINGATRON HAZARDOUS SUBSTANCE FREE SPEC.
- HALOGEN FREE PRODUCT IDENTIFICATION MARK : ©
- HALOGEN FREE PRODUCT IDENTIFICATION LABEL ON PACKAGING: 
- FOR REFLOW SOLDERING LEAD-FREE PROCESS.
- PACKAGING : TAPE & REEL.



Pin NO.	Signal Assignment
# 1	VBUS
# 2	D-
# 3	D+
# 4	PGND
# 5	SSRX-
# 6	SSRX+
# 7	GND
# 8	SSTX-
# 9	SSTX+



NO	DESCRIPTION	QTY	MATERIAL	PLATING & COLOR
D	SHELL	1	STEEL	BLACK NICKEL 60U "MIN
C	4P TERMINAL	4	COPPER ALLOY	GOLD 5U" MIN ON CONTACT AREA, GOLD FLASH ON SOLDE TAIL, ALL OVER 50U" NICKEL PLATED
B	5P TERMINAL	5	COPPER ALLOY	ALL OVER 50U" NICKEL PLATED
A	HOUSING	1	THERMOPLASTIC 94V-HB	BLACK

UNLESS OTHERWISE SPECIFIED TOLERANCES

DECIMALS: ANGLES: X : ±0.5 X : ±2° X.X : ±0.3 X.X : ±1' X.XX : ±0.2

TITLE: USB3.0 REVERSE CONNECTOR

DWN: 2/5 13/8/29 PART NO. ZUB2306-000111F

CHKD: 2/2 13/8/29 SCALE 4:1 UNIT: mm

APVD: 1/2 13/8/29 SIZE: A3 SHEET1 OF 1 REV: B

CUSTOMER COPY