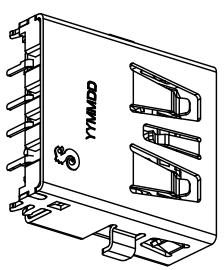
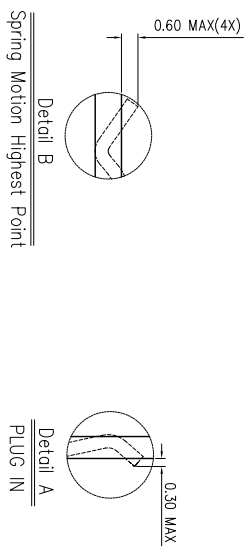
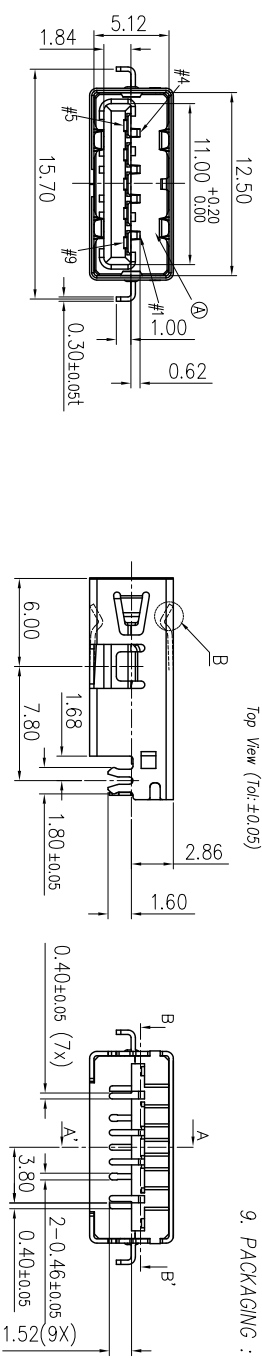
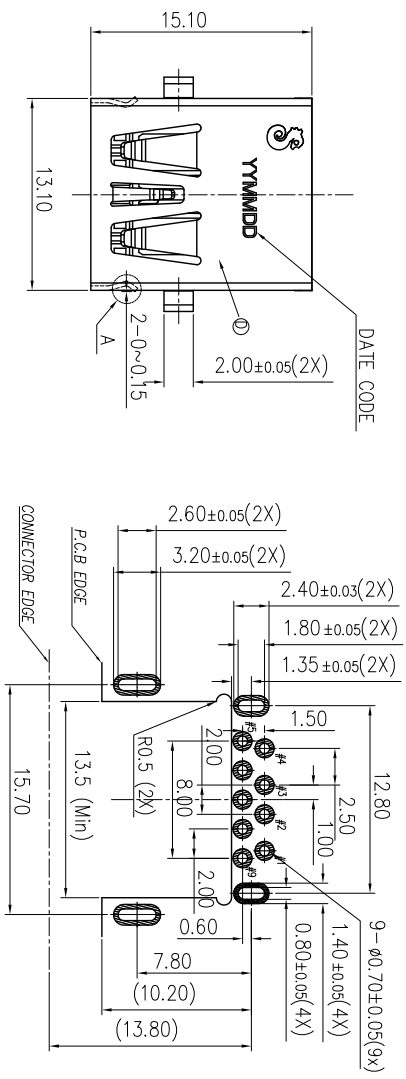
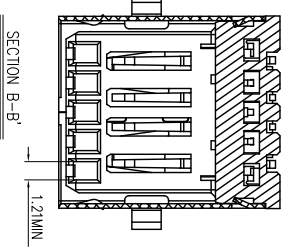
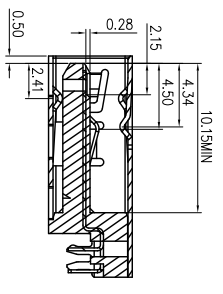
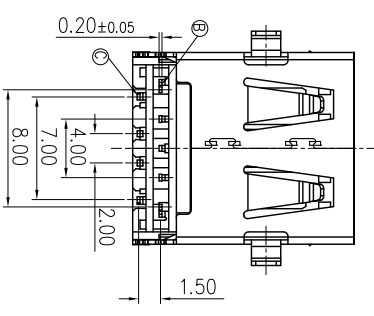


REV.	ECON NO	OR DESCRIPTION	REVISED	DATE
A		PRODUCT RELEASE	Lonny	2013.03.28

- SPECIFICATIONS:**
- ELECTRICAL CHARACTERISTICS:**
 - 1-1. CURRENT RATING: 2.0A (PIN1,4) ; OTHER CONTACTS 0.25A
 - 1-2. CONTACT RESISTANCE: 30mΩ MAX.
 - 1-3. DIELECTRIC WITHSTANDING VOLTAGE: 100V AC FOR 1 MINUTE
 - 1-4. INSULATION RESISTANCE: 100MΩ MIN
 - MECHANICAL CHARACTERISTICS:**
 - 2-1. INSERTION FORCE : 3.5 Kgf MAX
 - 2-2. WITHDRAWAL FORCE : 1.0 Kgf MIN
 - DURABILITY:** 5,000 CYCLES.
 - OTHER SPEC TO REFER** USB 3.0 SPEC.
 - TO CONFORM TO SINGATRON HAZARDOUS SUBSTANCE FREE SPEC.**
 - HALOGEN FREE PRODUCT IDENTIFICATION MARK :** ◎
 - HALOGEN FREE PRODUCT IDENTIFICATION LABEL ON PACKAGING:**
 - FOR REFLOW SOLDERING LEAD-FREE PROCESS.**
 - PACKAGING :** TAPE & REEL.



Pin NO.	Signal Assignment
# 1	VBUS
# 2	D-
# 3	D+
# 4	PGND
# 5	SSRX-
# 6	SSRX+
# 7	GND
# 8	SSTX-
# 9	SSTX+



NO	DESCRIPTION	QTY	MATERIAL	PLATING & COLOR
D	SHELL	1	STEEL	NICKEL 60u"MIN
C	4P TERMINAL	4	COPPER ALLOY	GOLD FLASH OVER Pd/M 300° ON CONTACT AREA
B	5P TERMINAL	5	COPPER ALLOY	GOLD FLASH ON SOLDE TAIL, ALL OVER 300° NICKEL PLATED
A	HOUSING	1	THERMOPLASTIC 94V-0	BLUE(300C)

UNLESS OTHERWISE SPECIFIED TOLERANCES

DECIMALS: ANGLES:

X : ±0.5 X : ±2°

X.X : ±0.3 X.X : ±1°

X.XX : ±0.2

Singaton Enterprise Co., Ltd.
信音企業股份有限公司

TITLE: USB3.0 REVERSE CONNECTOR

DWN: Lonny 13/4/8 PART NO. ZUB2306-000112F

CHKD: WKKW 13/4/8 SCALE 3:1 UNIT: mm

APVD: LMO 13/4/8 SIZE: A3 SHEETS: OF 1 REV. A

CUSTOMER COPY

