
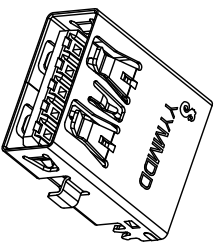
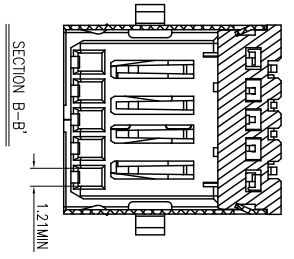
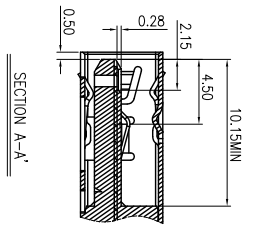
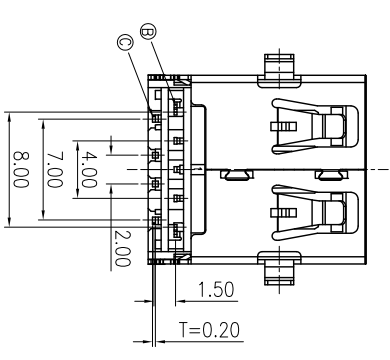
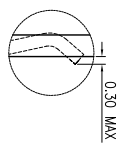
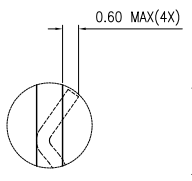
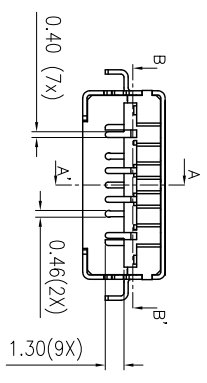
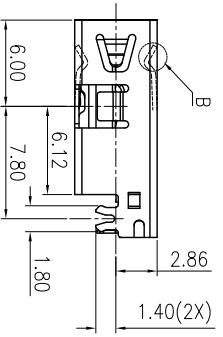
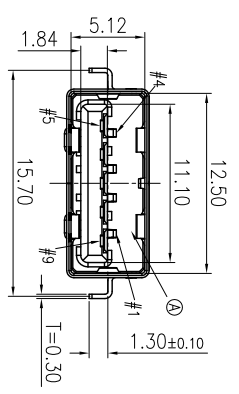
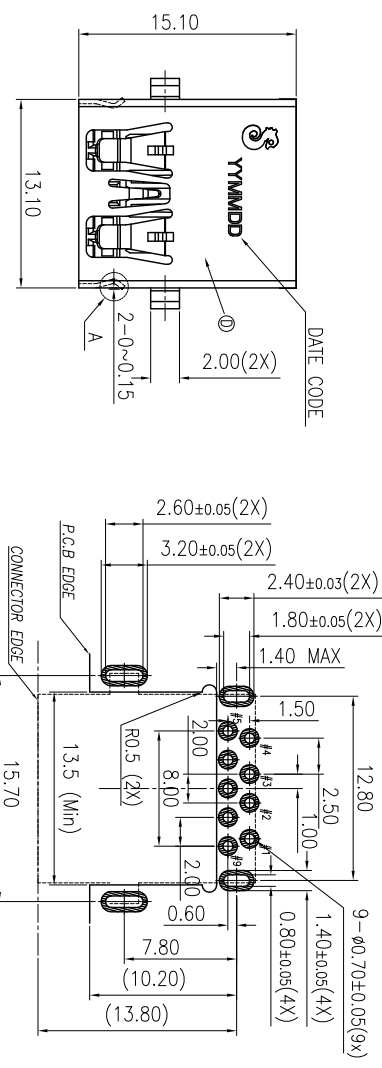


REV.	EGN NO OR DESCRIPTION	REVISED	DATE
A	PRODUCT RELEASE	Chunxiao	2014.01.17

- SPECIFICATIONS:
- ELECTRICAL CHARACTERISTICS:
 - CURRENT RATING: 1.8A (PIN1,4) ; OTHER CONTACTS 0.25A
 - CONTACT RESISTANCE: 30mΩ MAX.
 - DIELECTRIC WITHSTANDING VOLTAGE: 100V AC FOR 1 MINUTE
 - INSULATION RESISTANCE: 100MΩ MIN
 - MECHANICAL CHARACTERISTICS:
 - INSERTION FORCE : 3.5 kgf MAX
 - WITHDRAWAL FORCE : 1.0 kgf MIN
 - DURABILITY: 5,000 CYCLES,
 - OTHER SPEC TO REFER USB 3.0 SPEC.
 - TO CONFORM TO SINGATRON HAZARDOUS SUBSTANCE FREE SPEC.
 - HALOGEN FREE PRODUCT IDENTIFICATION MARK : ◎
 - HALOGEN FREE PRODUCT IDENTIFICATION LABEL ON PACKAGING:
 
 - FOR REFLOW SOLDERING LEAD-FREE PROCESS.
 - PACKAGING : TAPE & REEL.



Pin NO	Signal Assignment
# 1	VBUS
# 2	D-
# 3	D+
# 4	PGND
# 5	SSRX-
# 6	SSRX+
# 7	GND
# 8	SSTX-
# 9	SSTX+

NO	DESCRIPTION	QTY	MATERIAL	PLATING & COLOR
D	SHELL	1	STEEL	NICKEL 60μ MIN
C	4P TERMINAL	4	COPPER ALLOY	GOLD FLASH OVER Pd/Ni 30μ ON CONTACT AREA
B	5P TERMINAL	5	COPPER ALLOY	GOLD FLASH ON SOLDER TAIL, ALL OVER 500° NICKEL PLATED
A	HOUSING	1	THERMOPLASTIC UL94-HB	BLUE


UNLESS OTHERWISE SPECIFIED TOLERANCES

DECIMALS: ANGLES:

X : ±0.5 X : ±2°

X.X : ±0.3 X.X : ±1°

X.XX : ±0.2

 Singatron Enterprise Co., Ltd. 信音企業股份有限公司	
TITLE	USB3.0 REVERSE CONNECTOR
DWG	Quintax 14/1/23 PART NO. 2UB2306-003111F
CHKD	Wenxin 14/1/23 SCALE 3:1 UNIT: mm
APVD	Luo 14/1/23 SIZE: A3 SHEET: OF 1 REV: A

CUSTOMER COPY