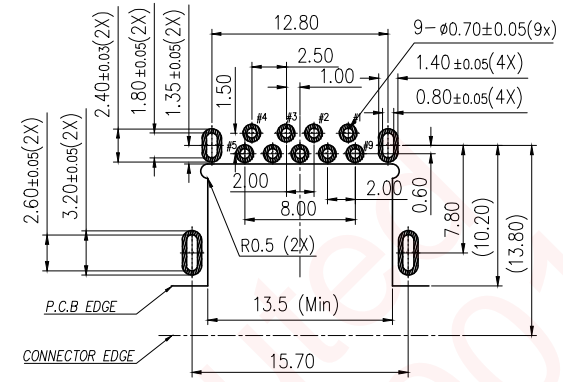
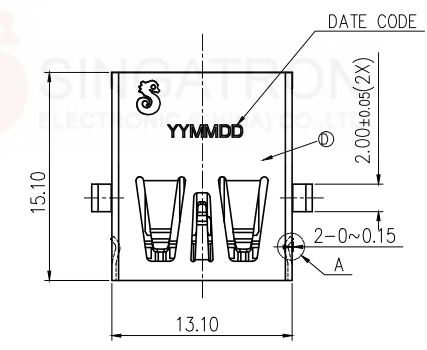
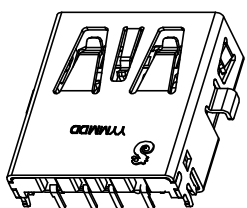
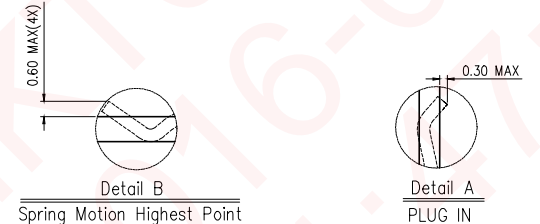
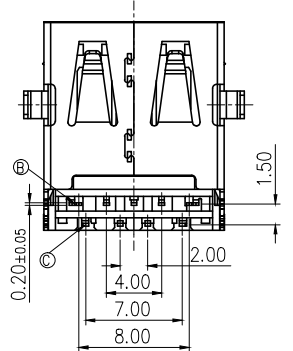
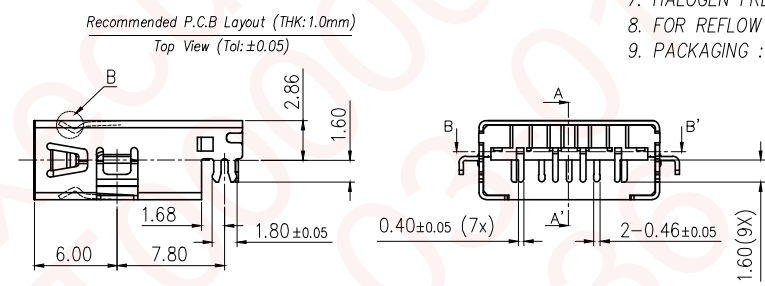
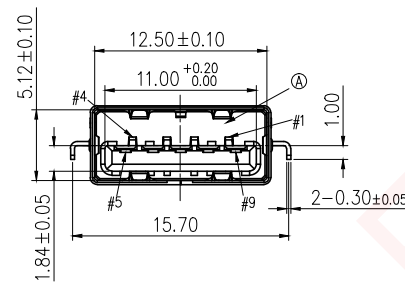


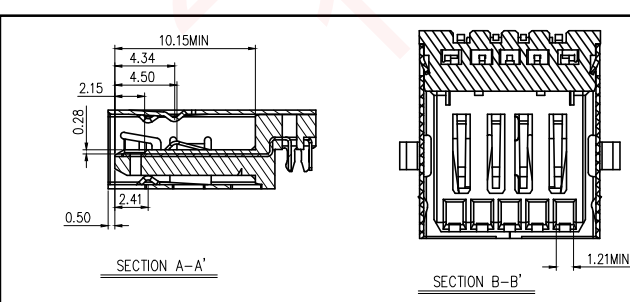
REV.	ECN NO OR DESCRIPTION	REVISED	DATE
A	PDR NO: T151021-4A	JTTLUCKY	2016.02.19



- SPECIFICATIONS:
- ELECTRICAL CHARACTERISTICS:
 - CURRENT RATING: 2.0A (PIN1,4) ; OTHER CONTACTS 0.25A
 - CONTACT RESISTANCE: 30mΩ MAX.
 - DIELECTRIC WITHSTANDING VOLTAGE: 100V AC FOR 1 MINUTE
 - INSULATION RESISTANCE: 100MΩ·MIN
 - MECHANICAL CHARACTERISTICS:
 - INSERTION FORCE : 3.5 Kgf MAX
 - WITHDRAWAL FORCE : 1.0 Kgf MIN
 - DURABILITY: 5,000 CYCLES,
 - OTHER SPEC TO REFER USB 3.0 SPEC.
 - TO CONFORM TO SINGATRON HAZARDOUS SUBSTANCE FREE SPEC.
 - HALOGEN FREE PRODUCT IDENTIFICATION MARK : Ⓞ
 - HALOGEN FREE PRODUCT IDENTIFICATION LABEL ON PACKAGING:
 - FOR REFLOW SOLDERING LEAD-FREE PROCESS.
 - PACKAGING : TAPE & REEL.



Pin NO.	Signal Assignment
# 1	VBUS
# 2	D-
# 3	D+
# 4	PGND
# 5	SSRX-
# 6	SSRX+
# 7	GND
# 8	SSTX-
# 9	SSTX+



D	SHELL	1	SUS304-1/2H 0.30T	NICKEL 60u"MIN
C	4P TERMINAL	4	C5210-EH 0.20t	GOLD FLASH OVER Pd/Ni 30u" ON CONTACT AREA, GOLD FLASH ON SOLDE TAIL, ALL OVER 50u" NICKEL PLATED
B	5P TERMINAL	5	C5210-EH 0.20t	
A	HOUSING	1	PA9T+45%GF UL94V-0	BLUE(300C)
NO	DESCRIPTION	QTY	MATERIAL	PLATING & COLOR
UNLESS OTHERWISE SPECIFIED TOLERANCES		Singatron Enterprise Co., Ltd. 信音企業股份有限公司		
DECIMALS: ANGLES:		TITLE: USB3.0 REVRSE CONNECTOR		
X	:±0.5	X	:±2°	DWN JTTLUCKY PART NO. 2UB2306-005111F
X.X	:±0.3	X.X	:±1°	CHKD JAMES SCALE 3:1 UNIT: mm
X.XX	:±0.2	APVD	BOYE	SIZE: A3 SHEET: 10F1 REV: A
CUSTOMER COPY				