

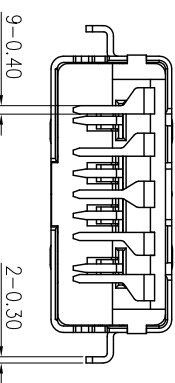
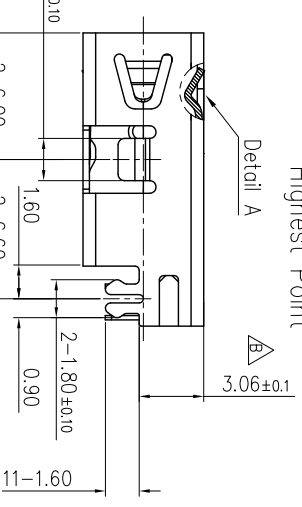
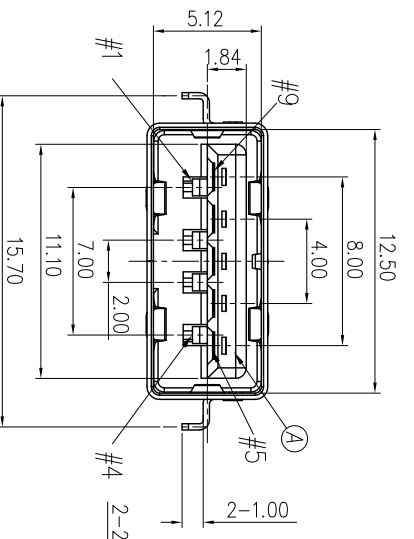
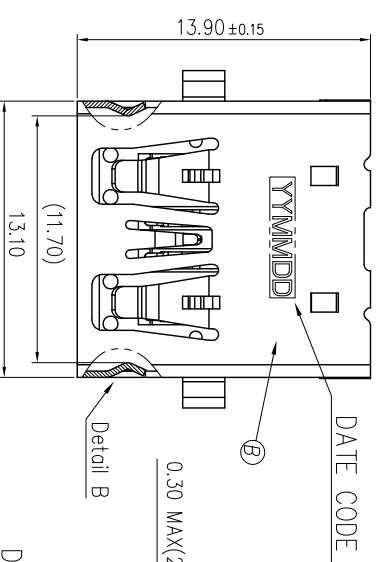
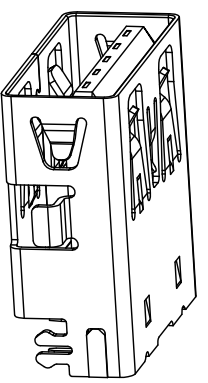


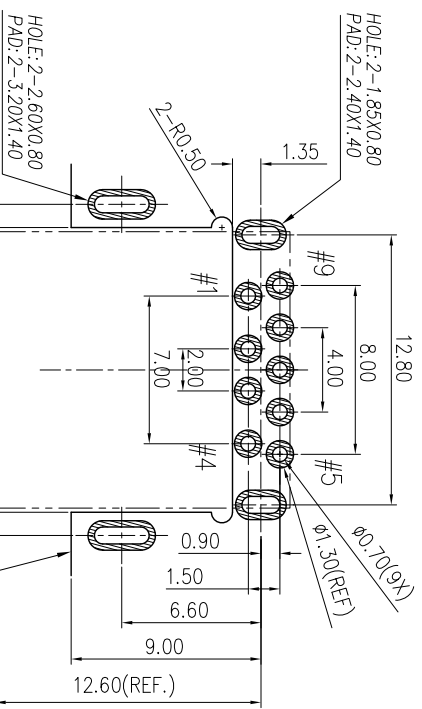
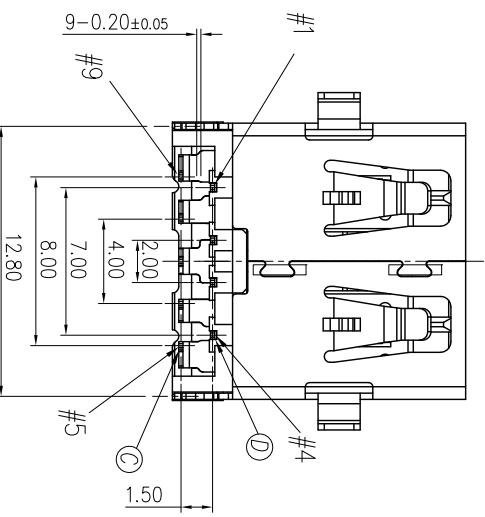
REV.	ECN NO OR DESCRIPTION	REVISED	DATE
B	ECN NO.: C130101-1	ZJK	2013.05.27
C	ECN: C130130 UPDATE DRAWING	JUNKANG	2013.07.29

SPECIFICATIONS:

- ELECTRICAL CHARACTERISTICS:
 - CURRENT RATING: 1.8A (PIN1,4) ; OTHER CONTACTS 0.25A
WORKING RATED VOLTAGE: 30V AC
 - CONTACT RESISTANCE: 30 mΩ MAX.(INITIAL) FOR VBUS/ GND CONTACTS
50 mΩ MAX.(INITIAL) FOR ALL OTHER CONTACTS.
 - DIELECTRIC WITHSTANDING VOLTAGE: 100V AC FOR 1 MINUTE
 - INSULATION RESISTANCE: 100MΩ MIN
 - MECHANICAL CHARACTERISTICS:
 - INSERTION FORCE : 35N MAX. INITIAL.
 - WITHDRAWAL FORCE : 10N MIN. INITIAL, 8N MIN. FOR AFTER TEST.
 - DURABILITY: 5,000 CYCLES.
 - OTHER SPEC TO REFER USB 3.0 SPEC.
 - TO CONFORM TO SINGATRON HAZARDOUS SUBSTANCE FREE SPEC.
 - HALOGEN FREE PRODUCT IDENTIFICATION MARK : 
 - HALOGEN FREE PRODUCT IDENTIFICATION LABEL ON PACKAGING: 
 - FOR REFLOW SOLDERING LEAD-FREE PROCESS.
 - PACKAGING : TAPE & REEL.



Pin NO.	Signal Assignment
# 1	VBUS
# 2	D-
# 3	D+
# 4	GND
# 5	Sida_SSR-
# 6	Sida_SSR+
# 7	GND_DRAIN
# 8	Sida_SST-
# 9	Sida_SST+
SHELL	Shield



NO.	DESCRIPTION	QTY	MATERIAL	PLATING & COLOR
D	4P TERMINAL	4	COPPER ALLOY 0.20t	2μ Au AND Pd/Ni 30μ ON CONTACT AREA, 100μ WHITE Sn PLATED ON SOLDERING, 800 NICKEL PLATED
C	5P TERMINAL	5	COPPER ALLOY 0.20t	
B	SHELL	1	STEEL	NICKEL 60μ MIN
A	HOUSING	1	HIGH TEMPERATURE MATERIAL	BLUE(300C)

UNLESS OTHERWISE SPECIFIED TOLERANCES

 Singatron Enterprise Co., Ltd.
信音企業股份有限公司

TITLE	USB3.0 CONNECTOR
DWN	ZJK 13/8/2 PART NO. 2UB2307-000111F
CHKD	ZJZ 13/8/2 SCALE 4:1 UNIT: mm
APVD	100 13/8/2 SIZE: A3 SHEET: 1 OF 1 REV: C

DECIMALS: ANGLES:

X : ±0.5 X : ±2°
XX : ±0.3 XX : ±1°
XXX : ±0.2

CUSTOMER COPY