

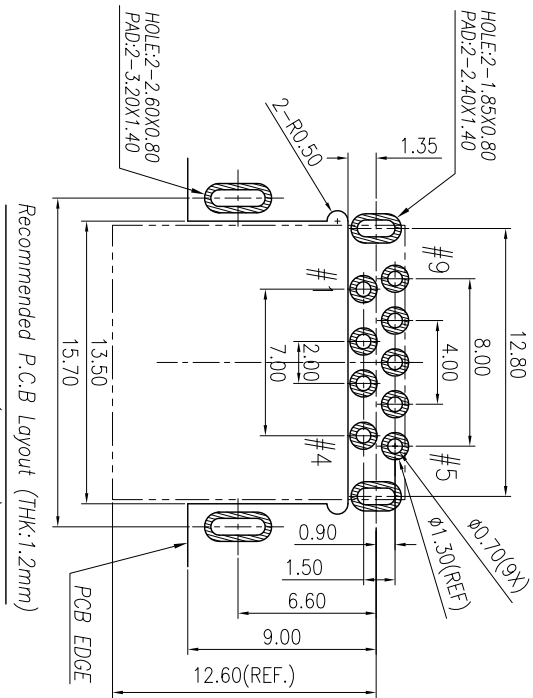
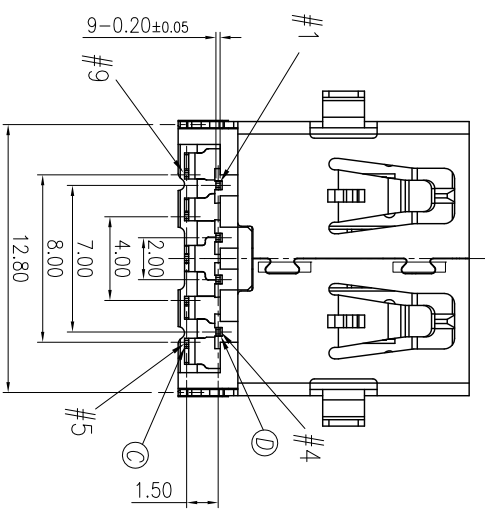
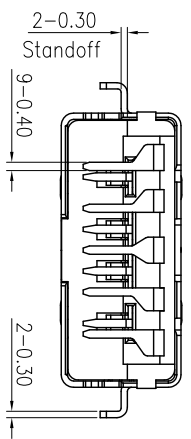
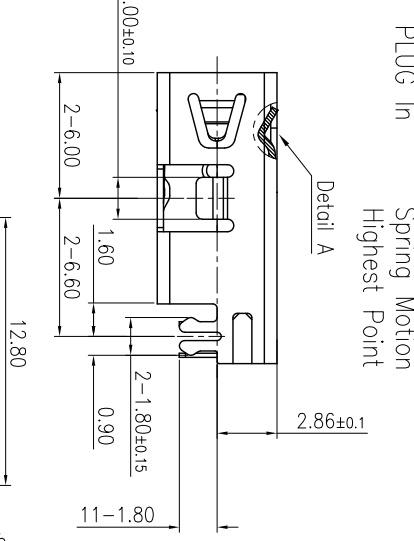
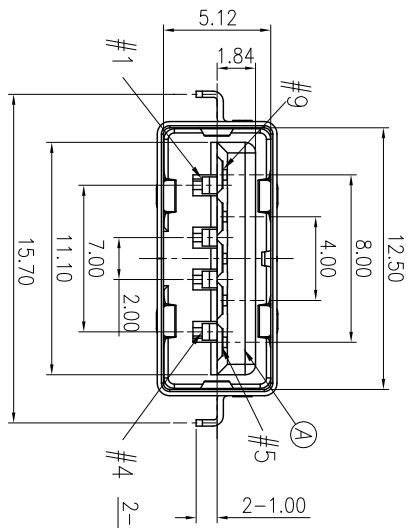
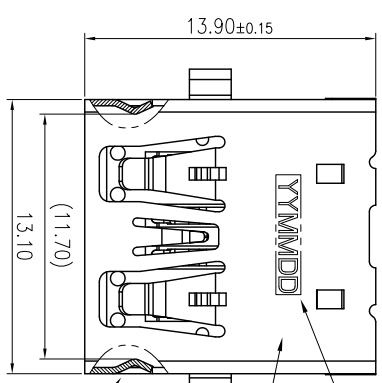
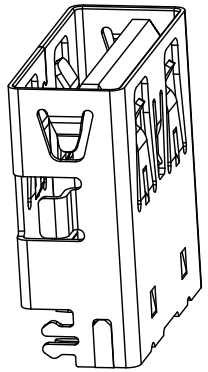


REV. ECN NO. OR DESCRIPTION	REVISED DATE
A PRODUCT RELEASE	Chunxiao 2014.04.28

SPECIFICATIONS:

- ELECTRICAL CHARACTERISTICS:
 - CURRENT RATING: 1.8A (PIN1,4) ; OTHER CONTACTS 0.25A WORKING RATED VOLTAGE:30V AC
 - CONTACT RESISTANCE: 30 mΩ MAX.(INITIAL) FOR VBUS/ GND CONTACTS 50 mΩ MAX.(INITIAL) FOR ALL OTHER CONTACTS.
 - DIELECTRIC WITHSTANDING VOLTAGE: 100V AC FOR 1 MINUTE
 - INSULATION RESISTANCE: 100MΩ MIN
- MECHANICAL CHARACTERISTICS:
 - INSERTION FORCE : 35N MAX. INITIAL.
 - WITHDRAWAL FORCE : 10N MIN. INITIAL,8N MIN. FOR AFTER TEST.
- DURABILITY: 5,000 CYCLES,
- OTHER SPEC TO REFER USB 3.0 SPEC.
- TO CONFORM TO SINGATRON HAZARDOUS SUBSTANCE FREE SPEC.
- HALOGEN FREE PRODUCT IDENTIFICATION MARK : 
- HALOGEN FREE PRODUCT IDENTIFICATION LABEL ON PACKAGING: 
- FOR REFLOW SOLDERING LEAD-FREE PROCESS.
- PACKAGING : TAPE & REEL.



Recommended P.C.B Layout (THK:1.2mm)
Top View (Tol:±0.05)

Pin NO.	Signal Assignment
# 1	VBUS
# 2	D-
# 3	D+
# 4	GND
# 5	Slda_SSR-
# 6	Slda_SSR+
# 7	GND_DRAIN
# 8	Slda_SST-
# 9	Slda_SST+
	Shield

NO	DESCRIPTION	QTY	MATERIAL	PLATING & COLOR
D	4P TERMINAL	4	C5210-EH 0.2T	2u" Au AND Pd/Ni 30u"
C	5P TERMINAL	5	C5210-EH 0.2T	
B	SHELL	1	SUS301-1/2H 0.3T	NICKEL 60u"MIN
A	HOUSING	1	PA10T+30%GF (HF)	BLACK
NO	DESCRIPTION	QTY	MATERIAL	PLATING & COLOR

UNLESS OTHERWISE SPECIFIED TOLERANCES

DECIMALS: ANGLES:

X :±0.5 X :±2°
X.X :±0.3 X.X :±1°
X.XX :±0.2

Singaton Enterprise Co., Ltd.
信管企業股份有限公司

US3.0 CONNECTOR

DWN (Quantity 14/4/30) PART NO. 2UB2307-005111F
CHKD (Width 14/4/30) SCALE 4:1 UNIT: mm
APVD (Use 14/4/30) SIZE: A3 SHEET: 1 OF 1 REV: A

CUSTOMER COPY

