

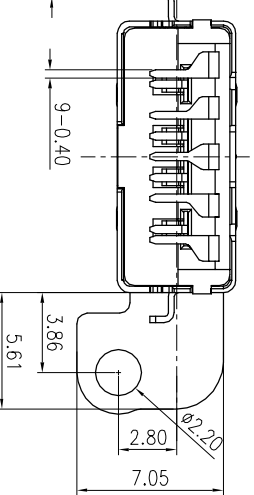
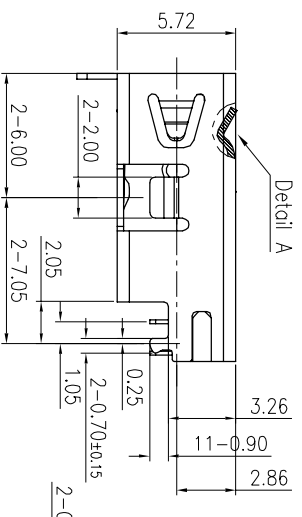
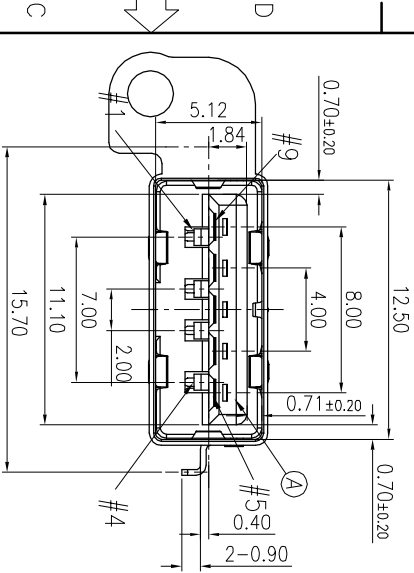
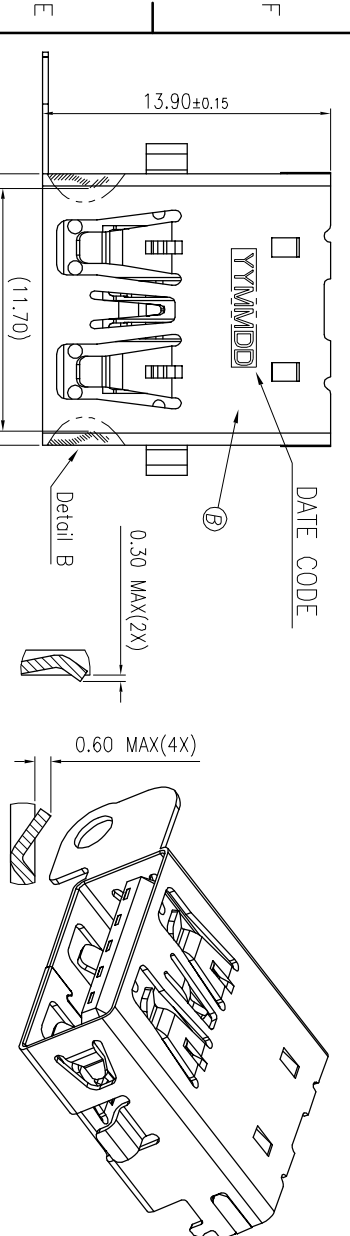


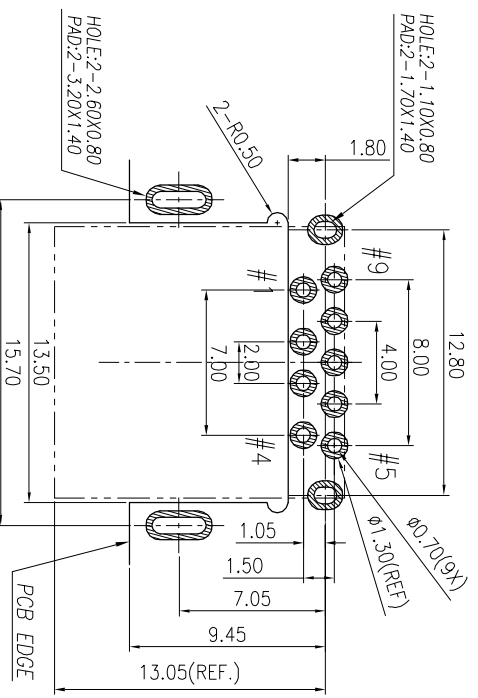
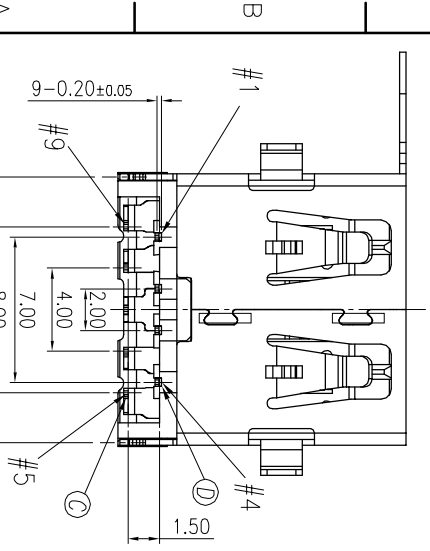
REV	ECN NO	OR DESCRIPTION	REVISED	DATE
A	PDR NO. T171024-2A	He		2018.03.06

SPECIFICATIONS:

- ELECTRICAL CHARACTERISTICS:
 - CURRENT RATING: 1.8A (PIN1,4) ; OTHER CONTACTS 0.25A
WORKING RATED VOLTAGE:30V AC
 - CONTACT RESISTANCE: 30 mΩ MAX.(INITIAL) FOR VBUS/ GND CONTACTS
50 mΩ MAX.(INITIAL) FOR ALL OTHER CONTACTS.
 - DIELECTRIC WITHSTANDING VOLTAGE: 100V AC FOR 1 MINUTE
 - INSULATION RESISTANCE: 100MΩ MIN
- MECHANICAL CHARACTERISTICS:
 - INSERTION FORCE : 35N MAX. INITIAL.
 - WITHDRAWAL FORCE : 10N MIN. INITIAL,8N MIN. FOR AFTER TEST.
- DURABILITY: 5,000 CYCLES.
- OTHER SPEC TO REFER USB 3.0 SPEC.
- TO CONFORM TO SINGATRON HAZARDOUS SUBSTANCE FREE SPEC.
- HALOGEN FREE PRODUCT IDENTIFICATION MARK : 
- HALOGEN FREE PRODUCT IDENTIFICATION LABEL ON PACKAGING: 
- FOR REFLOW SOLDERING LEAD-FREE PROCESS.
- PACKAGING : TAPE & REEL.



Pin NO.	Signal Assignment
# 1	VBUS
# 2	D-
# 3	D+
# 4	GND
# 5	Stda_SSR-
# 6	Stda_SSR+
# 7	GND_DRAIN
# 8	Stda_SST-
# 9	Stda_SST+
	Shield



Recommended P.C.B Layout (THK:1.2mm)
Top View (Tol:±0.05)

D	4P TERMINAL	4	COPPER ALLOY 0.20t	GOLD FLASH ON CONTACT AREA, 100μ" SN PLATED ON SOLDERING, 80μ" NICKEL PLATED
C	5P TERMINAL	5	COPPER ALLOY 0.20t	
B	SHELL	1	STEEL 0.30t	NICKEL PLATING
A	HOUSING	1	HIGH TEMPERATURE MATERIAL	BLUE PLATING & COLOR
NO	DESCRIPTION			

UNLESS OTHERWISE SPECIFIED TOLERANCES

 Singatron Enterprise Co., Ltd.
信音企業股份有限公司

TITLE USB3.0 CONNECTOR

DECIMALS:	ANGLES:
X :±0.5	X :±2°
X.X :±0.3	X.X :±1°
X.XX :±0.2	

DWN	He	PART NO. ZUB2307-016111F
CHKD	James	SCALE 1:1 UNIT: mm
APVD	Boye	SIZE: A3 SHEET:1 OF 1 REV: A

CUSTOMER COPY