

REV.	ECN NO OR DESCRIPTION	REVISED	DATE
A	PDR RELEASE	Even	2020.04.28

**SPECIFICATIONS:**

**1. ELECTRICAL CHARACTERISTICS:**

- 1-1. CURRENT RATING: 1.8A (PIN1,4) ; OTHER CONTACTS 0.25A
- 1-2. CONTACT RESISTANCE: 30mΩ MAX INITIAL FOR PIN1~4  
50mΩ MAX INITIAL FOR OTHER PIN.
- 1-3. DIELECTRIC WITHSTANDING VOLTAGE: 100V AC FOR 1 MINUTE
- 1-4. INSULATION RESISTANCE: 100MΩ MIN

**2. MECHANICAL CHARACTERISTICS:**

- 2-1. INSERTION FORCE : 3.5 Kgf MAX
- 2-2. WITHDRAWAL FORCE : 1.0~3.5 Kgf.(INITIAL).  
0.8~3.5 Kgf.(AFTER TEST LIFE).

**3. DURABILITY: 5,000 CYCLES,**

**4. TO CONFORM TO SINGATRON HAZARDOUS SUBSTANCE FREE SPEC.**

**5. HALOGEN FREE PRODUCT IDENTIFICATION LABEL ON PACKAGING:** 

**6. FOR REFLOW SOLDERING LEAD-FREE PROCESS.**

**7. PACKAGING : TAPE & REEL. SEE "2UB2307-021X11F" PACKAGE.**

**8. OTHER GENERAL SPEC. TO REFER "2UB2307-021X11F SPEC".**

PART NO.  
2UB2307-021X11F

SUFFIX: HALOGEN FREE



PACKAGE  
1: TAPE&REEL

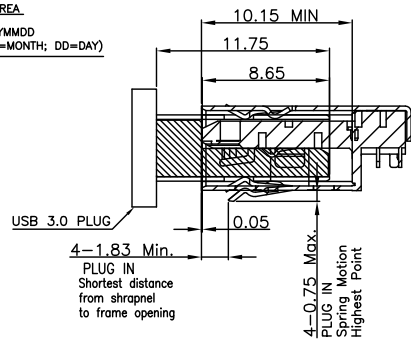
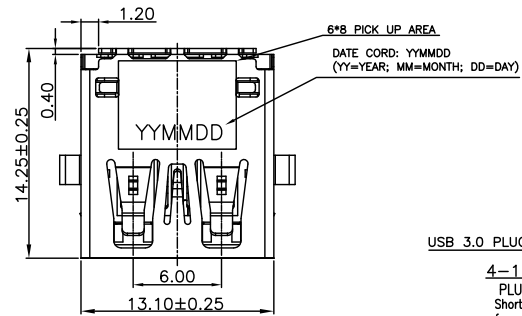
HOUSING  
1: BLACK

CONTACT PLATING

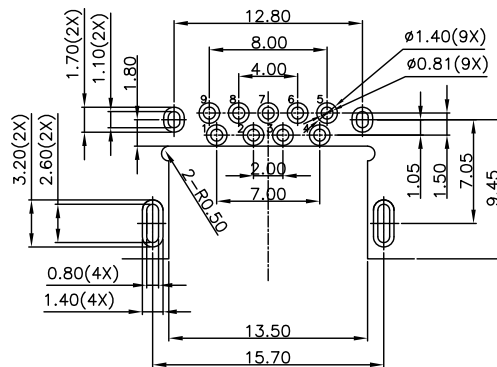
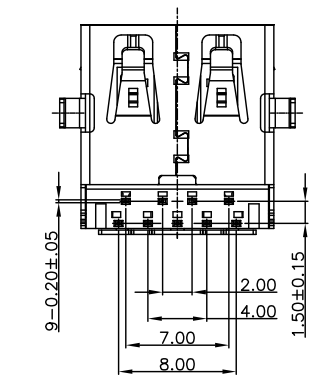
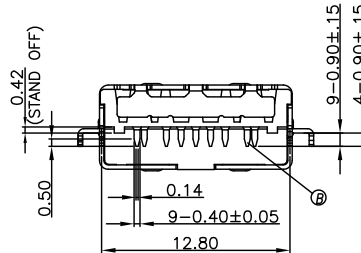
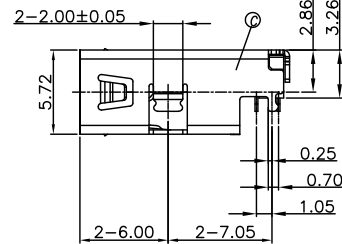
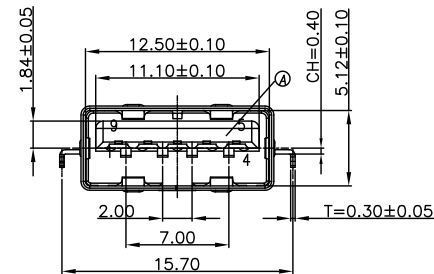
- 1: GOLD FLASH PLATING ON CONTACT AREA,  
MATTE Sn 80u"MIN. ON SOLDERING AREA,  
50u" MIN. NICKEL UNDER PLATING OVERALL
- 2: 30u"GOLD PLATING ON CONTACT AREA,  
MATTE Sn 80u"MIN. ON SOLDERING AREA,  
50u" MIN. NICKEL UNDER PLATING OVERALL

Pin Number	Signal ASSIGNMENT
PIN 1	VBUS
PIN 2	D-
PIN 3	D+
PIN 4	GND
PIN 5	StdA_SSRX-
PIN 6	StdA_SSRX+
PIN 7	GND_DRAIN
PIN 8	StdA_SSTX-
PIN 9	StdA_SSTX+

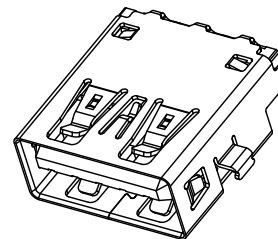
C	SHELL	1	SUS 201	50u"MIN.BLACK NICKEL
B	TERMINAL	9	C2680-H	SEE "PART NO."
A	HOUSING	1	PA9T UL 94V-0	BLACK
NO	DESCRIPTION	QTY	MATERIAL	PLATING & COLOR
UNLESS OTHERWISE SPECIFIED TOLERANCES		 Singatron Enterprise Co., Ltd.  信音企業股份有限公司		
DECIMALS:	ANGLES:	TITLE	USB 3.0 REVERSE CONNECTOR	
X :±0.5	X :±2°	DWN	EVEN 2020.04.28	PART NO. 2UB2307-021X11F
X.X :±0.3	X.X :±1°	CHKD		SCALE 4:1 UNIT: mm
X.XX :±0.2		APVD	ANGELA2020.04.28	SIZE: A3 SHEET:1 OF 1 REV: A
CUSTOMER COPY				



USB 3.0 MATTING DWG  
SCALE 1:1



RECOMMENDED PCB LAYOUT(TOP VIEW)  
(DEFAULT DIMENSION TOL=±0.03mm)



3D VIEW