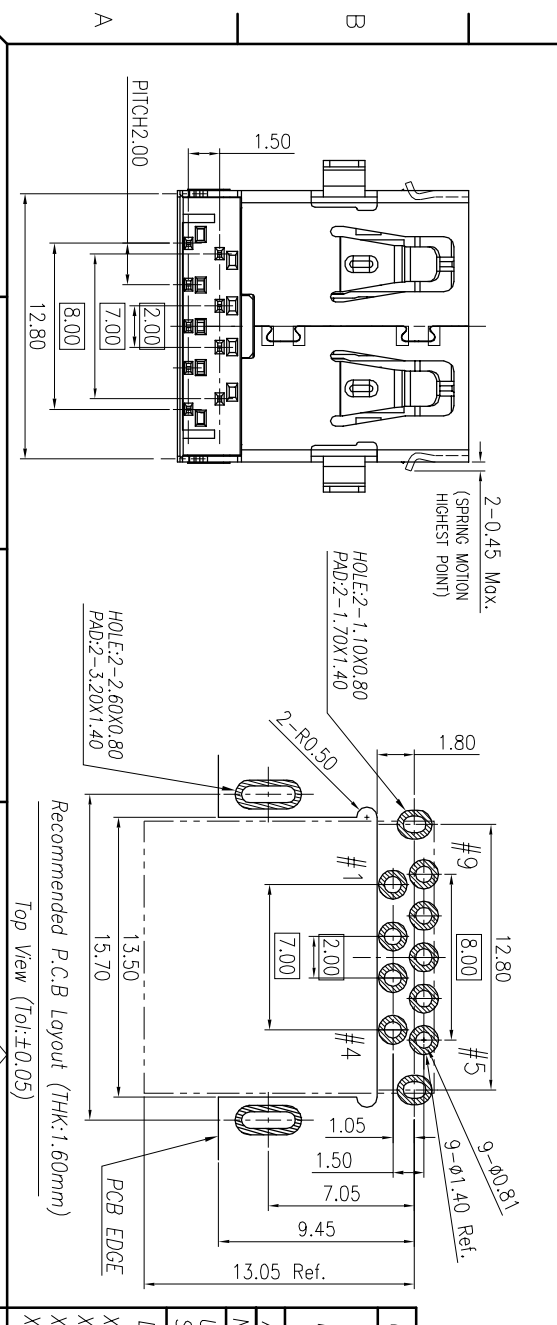
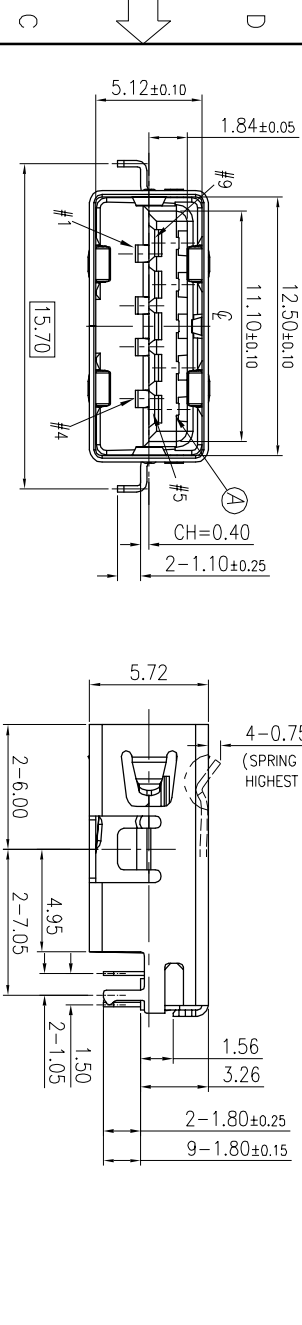
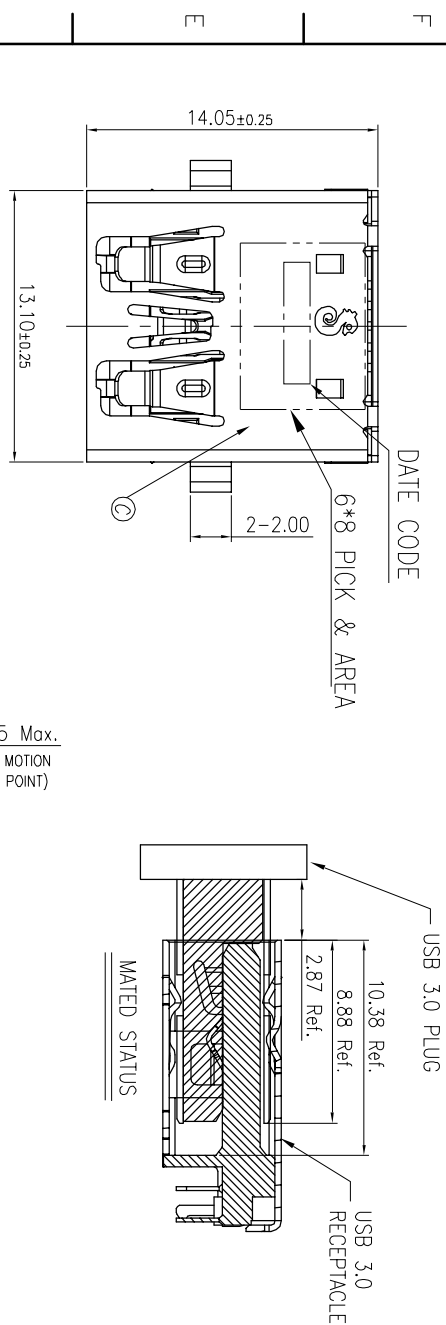


Pin Number	1	2	3	4	5	6	7	8	9
Signal ASSIGNMENT	VBUS	D-	D+	GND	Stda_SSRX-	Stda_SSRX+	GND_DRAIN	Stda_SSTX-	Stda_SSTX+

REV	ECN NO	OR DESCRIPTION	REVISED	DATE
A	PDR	NO:T200924-3A/3B	BING	2021.09.23



- SPECIFICATIONS:
- ELECTRICAL CHARACTERISTICS:
    - CURRENT RATING: 1.8A (PIN1,4) ; OTHER CONTACTS 0.25A
    - WORKING RATED VOLTAGE:30V AC
    - CONTACT RESISTANCE: 30 mΩ Max (INITIAL) FOR VBUS/ GND CONTACTS
    - DIELECTRIC WITHSTANDING VOLTAGE: 100V AC FOR 1 MINUTE
    - INSULATION RESISTANCE: 100MΩ Min.
  - MECHANICAL CHARACTERISTICS:
    - INSERTION FORCE: 35N Max. INITIAL.
    - WITHDRAWAL FORCE: 10N Min. INITIAL,8N Min. FOR AFTER TEST.
    - DURABILITY: 5,000 CYCLES.
    - OTHER SPEC TO REFER USB 3.0 SPEC.
    - TO CONFORM TO SINGATRON HAZARDOUS SUBSTANCE FREE SPEC.
    - HALOGEN FREE PRODUCT IDENTIFICATION MARK :
    - HALOGEN FREE PRODUCT IDENTIFICATION LABEL ON PACKAGING:
    - FOR REFLOW SOLDERING LEAD-FREE PROCESS.
    - PACKAGING: TAPE & REEL.

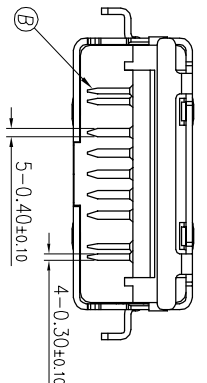


TABLE:

C	SHELL	1	SUS430 T=0.30mm	60μm Min. Solderable NICKEL PLATING	15μm Au	BLUE
B	9P TERMINAL	9	CS210-EH T=0.20mm	SEE TABLE: 40μm Min. Matte. Tin PLATING ON SOLDER TAIL AREA. AND 60μm NICKEL UNDER PLATING.		
A	HOUSING	1	PA-9TUL94V-0	SEE TABLE		
NO	DESCRIPTION	QTY	MATERIAL	PLATING & COLOR		

Singatron Enterprise Co., Ltd.  
信音企業股份有限公司

DECIMALS:	ANGLES:	TITLE	USB3.0 REVERSE CONNECTOR FOR GEN2
X :±0.3	X :±1°	DWN	BING
XX :±0.2	X.X :±0.5°	CHKD	Allen
XXX :±0.1		APVD	Boye
XXX :±0.05			