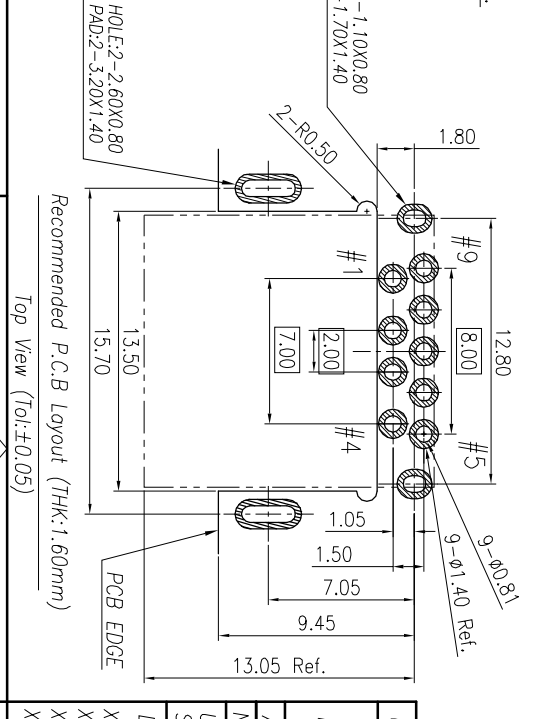
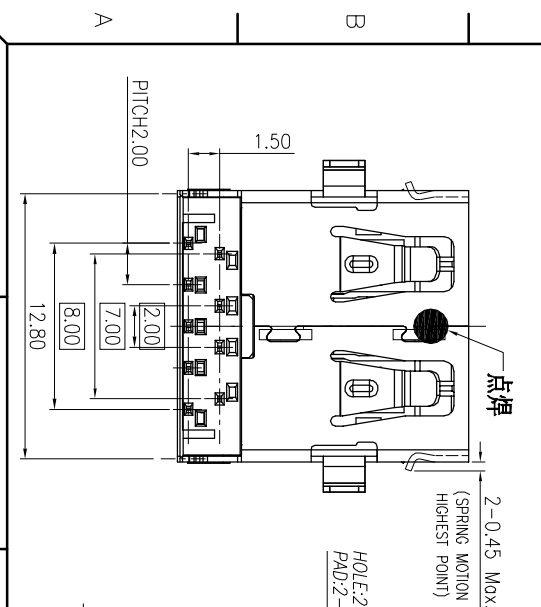
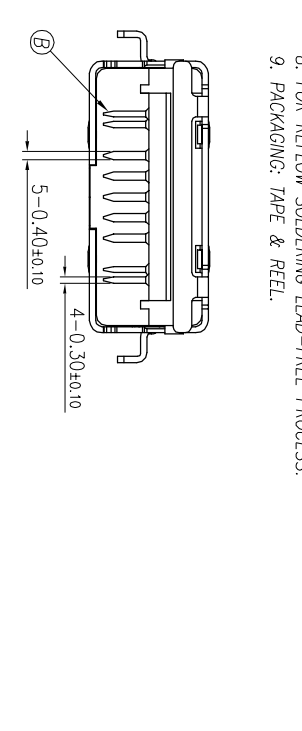
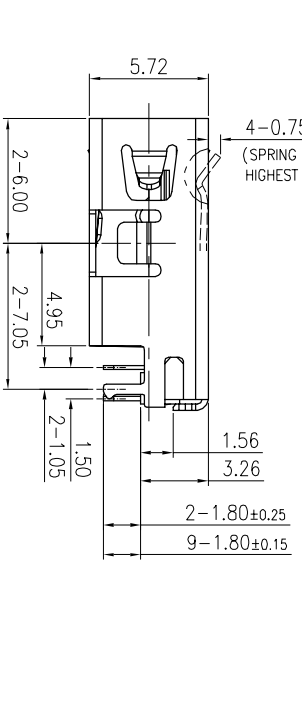
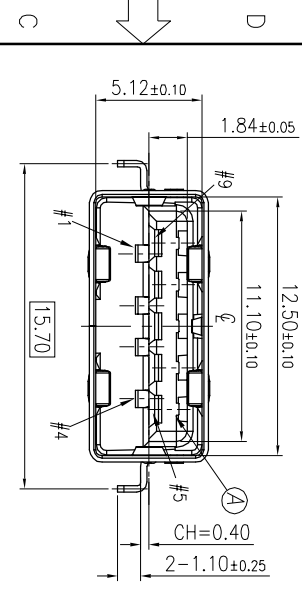
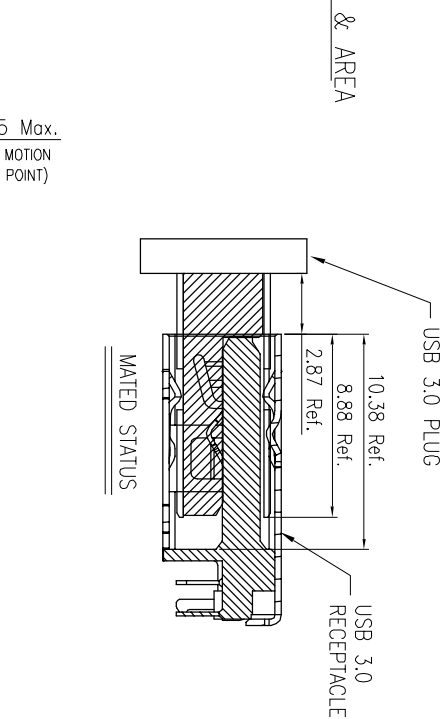
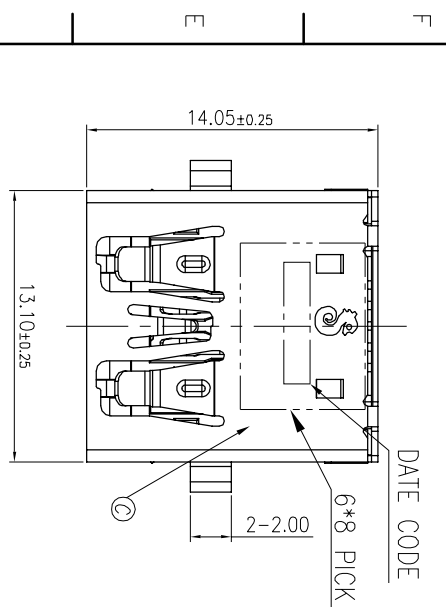


Pin Number	1	2	3	4	5	6	7	8	9
Signal ASSIGNMENT	VBUS	D-	D+	GND	Stda_SSRX-	Stda_SSRX+	GND_DRAIN	Stda_SSTX-	Stda_SSTX+

REV	ECN NO OR DESCRIPTION	REVISED	DATE
A	PDR NO:1210329-1A	BING	2021.09.23



C	SHELL	1	SUS430 T=0.30mm	80um Min. Solderable NICKEL PLATING
B	9P TERMINAL	9	CS210-EH T=0.20mm	15um Au PLATING ON CONTACT AREA 40um Min. Matte Tin PLATING ON SOLDER TAIL AREA; AND 80um NICKEL UNDER PLATING.
A	HOUSING	1	PA-4T U94V-0	BLUE
NO	DESCRIPTION	QTY	MATERIAL	PLATING & COLOR
UNLESS OTHERWISE SPECIFIED TOLERANCES				
DECIMALS: ANGLES:				
X	:±0.3	X	:±1°	
XX	:±0.2	X.X	:±0.5°	
XXX	:±0.1			
XXX	:±0.05			
TITLE: USB3.0 REVERSE CONNECTOR FOR GEN2				
DWG: BING				
CHKD: Allen				
APVD: Boye				
PART NO. ZUB2307-024111F				
SCALE 4:1				
UNIT: mm				
SHEET: 10F1				
REV: A				
CUSTOMER COPY				

- SPECIFICATIONS:
1. ELECTRICAL CHARACTERISTICS:
- 1-1. CURRENT RATING: 1.8A (PIN1,4) ; OTHER CONTACTS 0.25A
  - WORKING RATED VOLTAGE:30V AC
  - 1-2. CONTACT RESISTANCE: 30mΩ Max(INITIAL) FOR VBUS/ GND CONTACTS
  - 1-3. DIELECTRIC WITHSTANDING VOLTAGE: 100V AC FOR 1 MINUTE
  - 1-4. INSULATION RESISTANCE: 100MΩ Min.
2. MECHANICAL CHARACTERISTICS:
- 2-1. INSERTION FORCE: 35N Max. INITIAL.
  - 2-2. WITHDRAWAL FORCE: 10N Min. INITIAL,8N Min. FOR AFTER TEST.
3. DURABILITY: 5,000 CYCLES.
4. OTHER SPEC TO REFER USB 3.0 SPEC.
5. TO CONFORM TO SINGATRON HAZARDOUS SUBSTANCE FREE SPEC.
6. HALOGEN FREE PRODUCT IDENTIFICATION MARK :
7. HALOGEN FREE PRODUCT IDENTIFICATION LABEL ON PACKAGING:
8. FOR REFLOW SOLDERING LEAD-FREE PROCESS.
9. PACKAGING: TAPE & REEL.

Singatron Enterprise Co., Ltd.  
信音企業股份有限公司