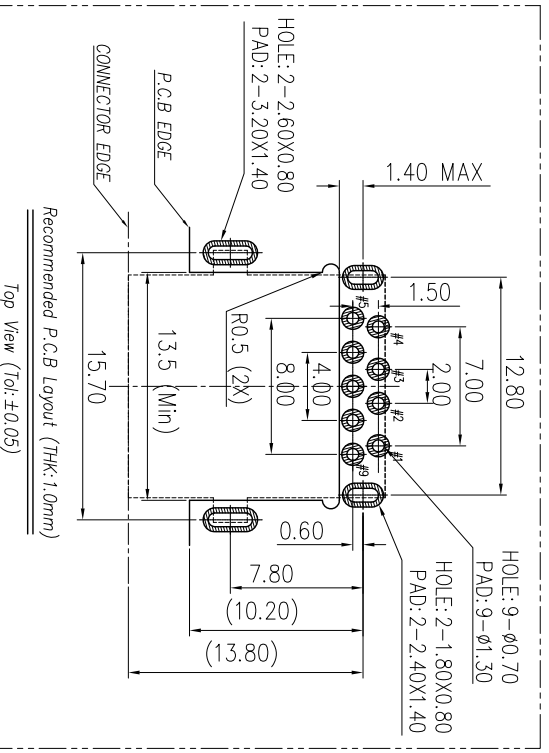
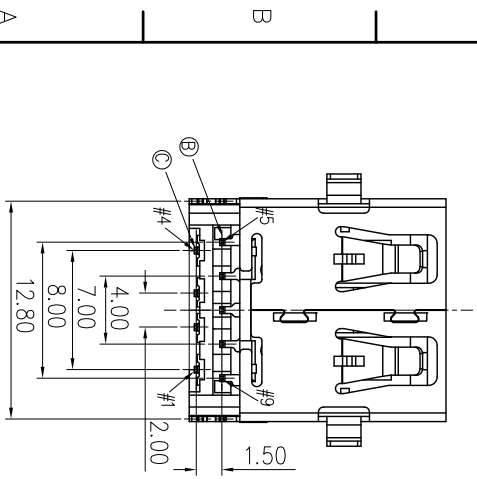
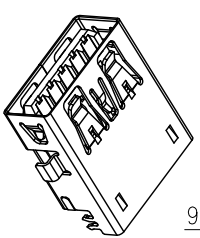
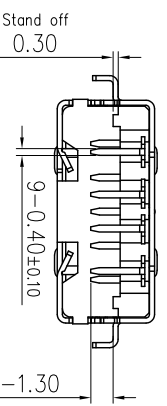
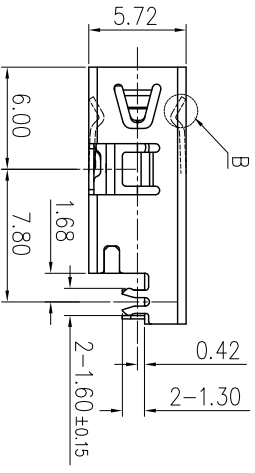
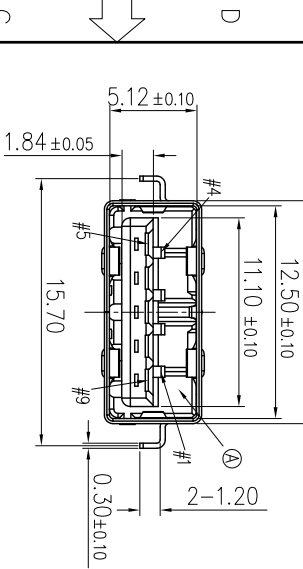


- SPECIFICATIONS:**
- ELECTRICAL CHARACTERISTICS:**
    - CURRENT RATING: 2.0A (PIN1,4) ; OTHER CONTACTS 0.25A
    - CONTACT RESISTANCE: 30mΩMAX.
    - DIELECTRIC WITHSTANDING VOLTAGE: 500V AC FOR 1 MINUTE
    - INSULATION RESISTANCE: 100MΩ/MIN
  - MECHANICAL CHARACTERISTICS:**
    - INSERTION FORCE : 35 N MAX. INITIAL.
    - WITHDRAWAL FORCE : 10 N MIN. INITIAL, 8N MIN. FOR AFTER TEST.
  - DURABILITY: 5,000 CYCLES.
  - OTHER SPEC TO REFER USB 3.0 SPEC.
  - TO CONFORM TO SINGATRON HAZARDOUS SUBSTANCE FREE SPEC.
  - HALOGEN FREE PRODUCT IDENTIFICATION MARK : ☉
  - HALOGEN FREE PRODUCT IDENTIFICATION LABEL ON PACKAGING: ☉
  - FOR REFLOW SOLDERING LEAD-FREE PROCESS.
  - PACKAGING : TAPE & REEL.



NO	DESCRIPTION	QTY	MATERIAL	PLATING & COLOR
D	SHELL	1	SUS301-1/2H 0.3T	NICKEL 60u"MIN
C	4P TERMINAL	4	C5210-EH 0.2T	Au 2u" AND Pd/Ni 30u" ON CONTACT AREA, MATTE Sn 60u"MIN ON SOLDER TAIL.
B	5P TERMINAL	5	C5210-EH 0.2T	ALL OVER 80u" NICKEL PLATED
A	HOUSING	1	PA101T+30% R630NH (HF)	BLACK

DECIMALS:	ANGLES:
X : ±0.5	X : ±2°
X.X : ±0.3	X.X : ±1'
X.XX : ±0.2	

TITLE	USB3.0 CONNECTOR
DWN	ZLS 14/7/21 PART NO. 2UB2308-000121F
CHKD	BILLY 14/7/21 SCALE 4:1 UNIT: mm
APVD	Luo 14/7/21 SIZE: A3 SHEET: 1 OF 1 REV: C

REV.	ECN NO OR DESCRIPTION	REVISED	DATE
A	PRODUCT RELEASE	Chunxiao	2013.11.08
B	ECN NO: C140011 MODIFY SHELL	BILLY	2014.4.3
C	ECN NO: C140032 MODIFY DATE CODE	ZLS	2014.7.11