
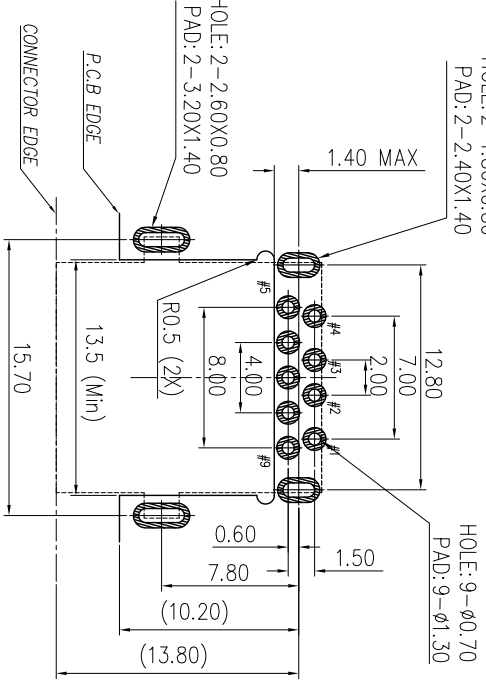
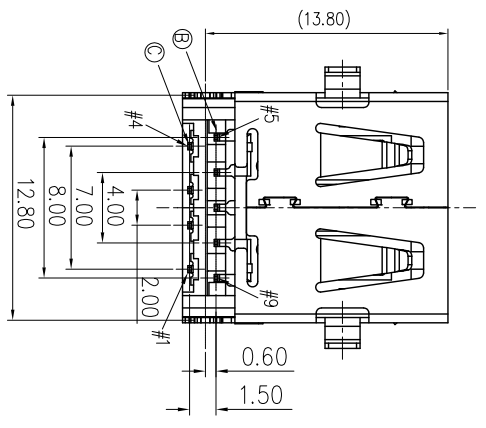
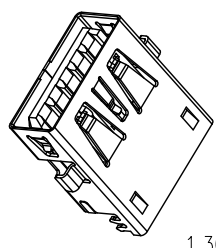
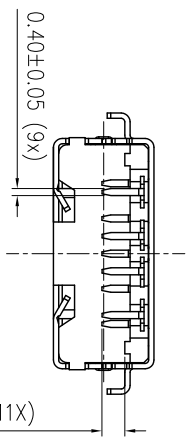
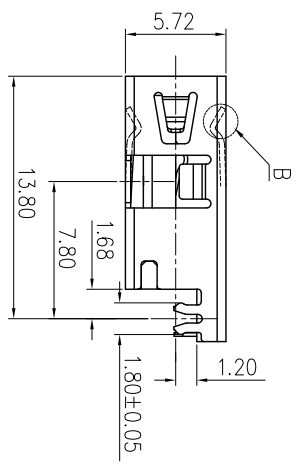
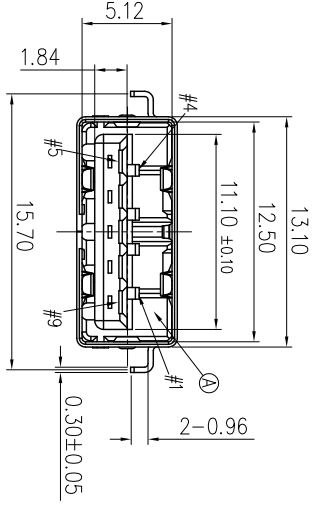
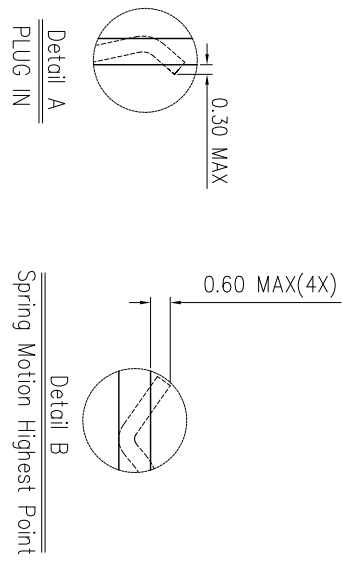
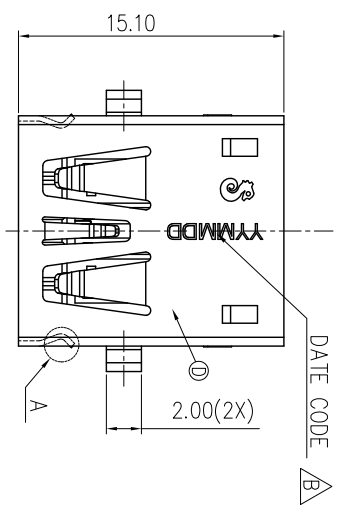


REV.	ECN NO OR DESCRIPTION	REVISED	DATE
A	PRODUCE RELEASE	HeWei	2013.06.11
B	ECN NO.: C140032, UPDATE DATE CODE	ZLS	2014.7.11

SPECIFICATIONS:

- ELECTRICAL CHARACTERISTICS:**
 - CURRENT RATING: 1.8A (PIN1,4) ; OTHER CONTACTS 0.25A
 - CONTACT RESISTANCE: 50mΩ MAX INITIAL.
 - DIELECTRIC WITHSTANDING VOLTAGE: 100V AC FOR 1 MINUTE
 - INSULATION RESISTANCE: 100MΩ MIN
- MECHANICAL CHARACTERISTICS:**
 - INSERTION FORCE : 3.5 Kgf MAX
 - WITHDRAWAL FORCE : 1.02 Kgf MIN
 - DURABILITY: 5,000 CYCLES,
 - OTHER SPEC TO REFER USB 3.0 SPEC.
 - TO CONFORM TO SINGATRON HAZARDOUS SUBSTANCE FREE SPEC.
 - HALOGEN FREE PRODUCT IDENTIFICATION MARK : ☉
 - HALOGEN FREE PRODUCT IDENTIFICATION LABEL ON PACKAGING: 
 - FOR REFLOW SOLDERING LEAD-FREE PROCESS.
 - PACKAGING : TAPE & REEL.



HOLE: 2-1.80X0.80 PAD: 2-2.40X1.40
HOLE: 2-2.60X0.80 PAD: 2-3.20X1.40
HOLE: 9-Ø0.70 PAD: 9-Ø1.30
R0.5 (2X)
Recommended P.C.B Layout (THK: 1.0mm)
Top View (Tol: ±0.05)

NO.	DESCRIPTION	MATERIAL	PLATING & COLOR
D	SHELL	STAINLESS STEEL	NICKEL 60u"MIN
C	4P TERMINAL	COPPER ALLOY	Au 2u" AND Pd/Ni 30u" ON CONTACT AREA, TIN 60u"MIN. ON SOLDER TAIL, ALL OVER 80u" NICKEL PLATED
B	5P TERMINAL	COPPER ALLOY	TIN 60u"MIN. ON SOLDER TAIL, ALL OVER 80u" NICKEL PLATED
A	HOUSING	THERMOPLASTIC 94V-HB	BLACK

DECIMALS:	ANGLES:
X : ±0.5	X : ±2°
XX : ±0.3	XX : ±1°
XXX : ±0.2	

TITLE	USB3.0 REVERSE CONNECTOR
DWN	ZLS 14/7/21 PART NO. 2UB2308-000211F
CHKD	BILLY 14/7/21 SCALE 4:1 UNIT: mm
APVD	Liao 14/7/21 SIZE: A3 SHEET1 OF 1 REV: B

SINGATRON ENTERPRISE CO., LTD.
信亨企業股份有限公司
CUSTOMER COPY