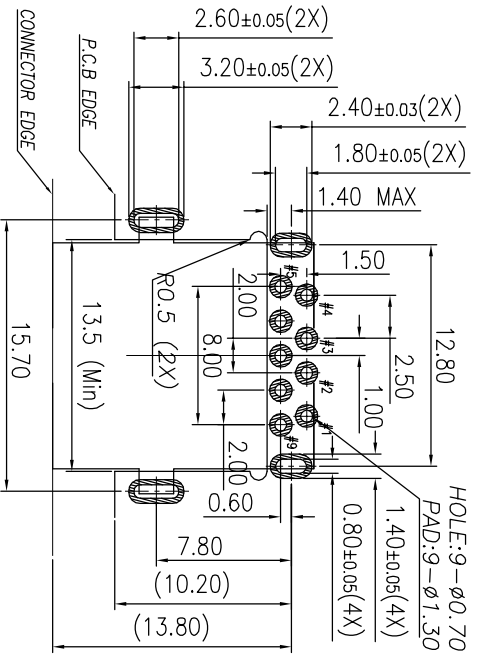
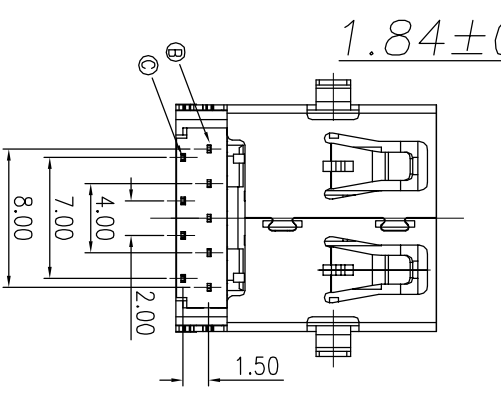
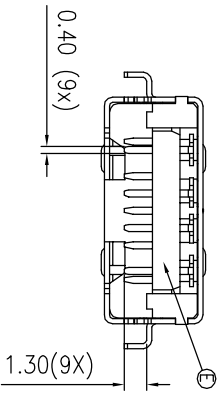
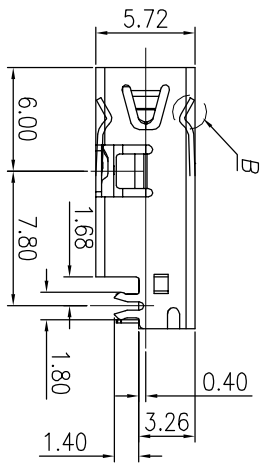
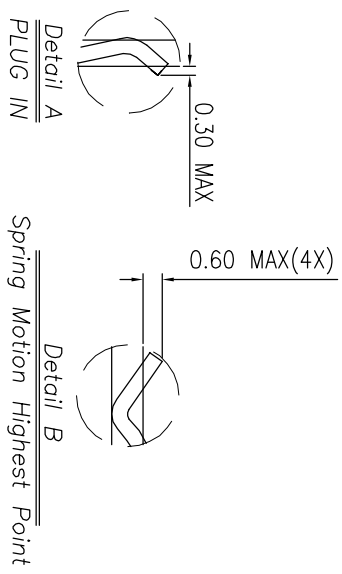
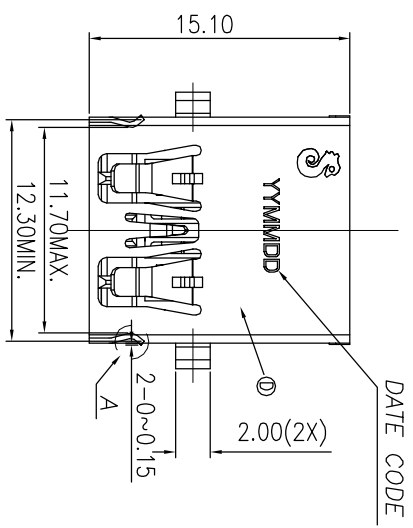


REV.	ECN NO OR DESCRIPTION	REVISED	DATE
A	ECN NO:S180801-0-3 PAN		2018.09.10



- SPECIFICATIONS:**
- ELECTRICAL CHARACTERISTICS:**
 - CURRENT RATING: 2.0A (PIN1,4) ; OTHER CONTACTS 0.25A
 - CONTACT RESISTANCE: 30mΩ MAX.
 - Dielectric Withstanding Voltage: 500V AC FOR 1 MINUTE
 - INSULATION RESISTANCE: 100MΩ MIN
 - MECHANICAL CHARACTERISTICS:**
 - INSERTION FORCE : 35N MAX. INITIAL.
 - WITHDRAWAL FORCE : 10N MIN. INITIAL, 8N MIN. FOR AFTER TEST.
 - DURABILITY:** 5,000 CYCLES.
 - OTHER SPEC TO REFER USB 3.0 SPEC.
 - TO CONFORM TO SINGATRON HAZARDOUS SUBSTANCE FREE SPEC.
 - HALOGEN FREE PRODUCT IDENTIFICATION MARK : ©
 - HALOGEN FREE PRODUCT IDENTIFICATION LABEL ON PACKAGING:
 - FOR REFLOW SOLDERING LEAD-FREE PROCESS.
 - PACKAGING : TAPE & REEL.



2UB2308-000331F
PLATING CODE:
3: 30u" Au

Pin NO.	Signal Assignment
# 1	VBUS
# 2	D-
# 3	D+
# 4	PgND
# 5	SSRX-
# 6	SSRX+
# 7	GND
# 8	SSTX-
# 9	SSTX+

NO	DESCRIPTION	QTY	MATERIAL	PLATING & COLOR
E	COVER	1	THERMAL PLASTIC UL94-V0	BLACK HF
D	SHELL	1	STEEL 0.3T	NICKEL 60u"MIN
C	4P TERMINAL	4	COPPER ALLOY 0.2T	CONTACT AREA PLATING SEE TABLE
B	5P TERMINAL	5	COPPER ALLOY 0.2T	5n 60~120u" ON SOLDE TAIL, ALL OVER 500" NICKEL PLATED
A	HOUSING	1	THERMAL PLASTIC UL94-V0	BLACK HF
NO	DESCRIPTION			PLATING & COLOR

UNLESS OTHERWISE SPECIFIED TOLERANCES

Singatron Enterprise Co., Ltd.
信音企業股份有限公司

TITLE: USB3.0 REVERSE CONNECTOR
PART NO. 2UB2308-000331F
SCALE 4:1 UNIT: mm
SIZE: A3 SHEET: 1 OF 1 REV: A

CUSTOMER COPY

A B C D E F 1 2 3 4 5 6 7 8