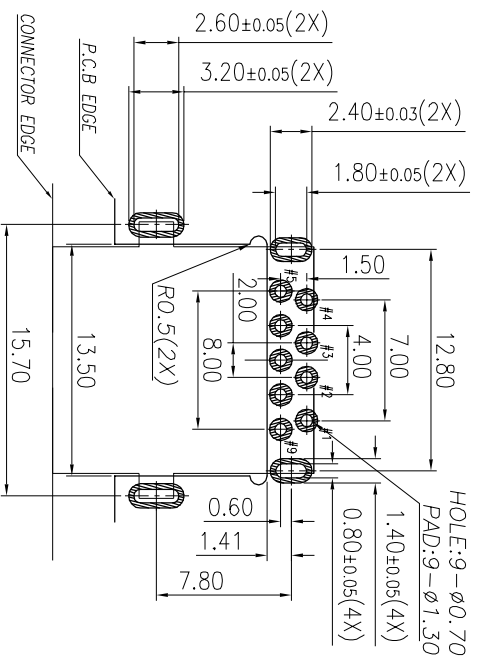
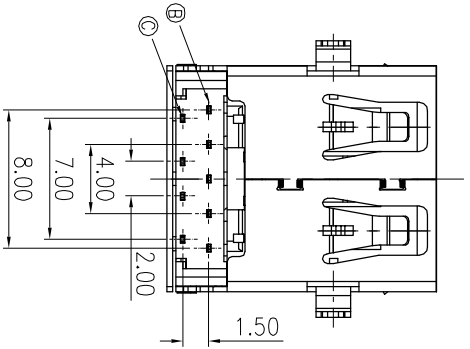
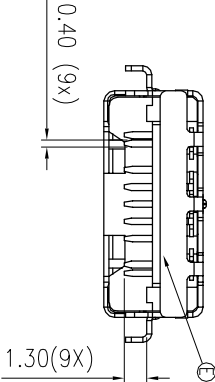
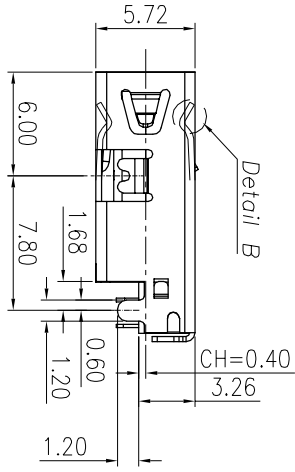
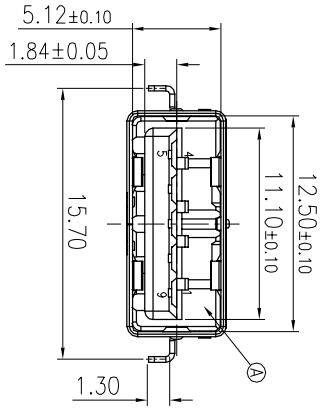
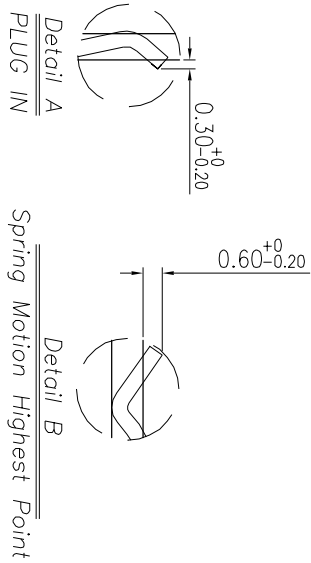
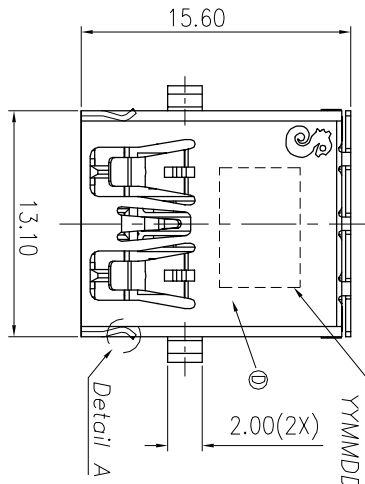


REV	ECN NO	OR DESCRIPTION	REVISED	DATE
A	PDR NO.:T180613-6A	Charles	2019.05.24	

DATE CODE
YYMMDD



Recommended P.C.B Layout (THK:1.0mm)
Top View (Tol:±0.05)

- SPECIFICATIONS:
- ELECTRICAL CHARACTERISTICS:
 - CURRENT RATING: 1.8A (PIN1,4) ; OTHER CONTACTS 0.25A
 - CONTACT RESISTANCE: 30mΩ MAX.
 - DIELECTRIC WITHSTANDING VOLTAGE: 500V AC FOR 1 MINUTE
 - INSULATION RESISTANCE: 100MΩ MIN
 - MECHANICAL CHARACTERISTICS:
 - INSERTION FORCE : 35N MAX. INITIAL, 2-2. WITHDRAWAL FORCE : 10N MIN. INITIAL, 8N MIN. FOR AFTER TEST.
 - DURABILITY: 5,000 CYCLES,
 - OTHER SPEC TO REFER USB 3.0 SPEC.
 - TO CONFORM TO SINGATRON HAZARDOUS SUBSTANCE FREE SPEC.
 - HALOGEN FREE PRODUCT IDENTIFICATION MARK : ☉
 - HALOGEN FREE PRODUCT IDENTIFICATION LABEL ON PACKAGING:
 - FOR REFLOW SOLDERING LEAD-FREE PROCESS.
 - PACKAGING : TAPE & REEL.

Pin NO	Signal Assignment	#	#	#	#	#	#	#
1	VBUS	# 1	# 2	# 3	# 4	# 5	# 6	# 7
	D-							
	D+							
	PGND							
	SSRX-							
	SSRX+							
	GND							
	SSTX-							
	SSTX+							

NO	DESCRIPTION	QTY	MATERIAL	PLATING & COLOR
E	COVER	1	THERMAL PLASTIC UL94-V0	BLUE
D	SHELL	1	STEEL 0.3T	NICKEL 60μ MIN
C	4P TERMINAL	4	COPPER ALLOY 0.2T	G/F PLATED ON MATING AREA
B	5P TERMINAL	5	COPPER ALLOY 0.2T	Melt In 120~240° ON SOLDE TAIL ALL OVER 500°NICKEL PLATED
A	HOUSING	1	THERMAL PLASTIC UL94-V0	BLUE

UNLESS OTHERWISE SPECIFIED TOLERANCES

Singatron Enterprise Co., Ltd.
信晉企業股份有限公司

TITLE: USB3.0 REVERSE CH=0.39

DWN: Charles PART NO. 2UB2308-000341F
CHKD: James SCALE 1:1 UNIT: mm
APVD: Boye SIZE: A3 SHEET: 10F1 REV: A

CUSTOMER COPY