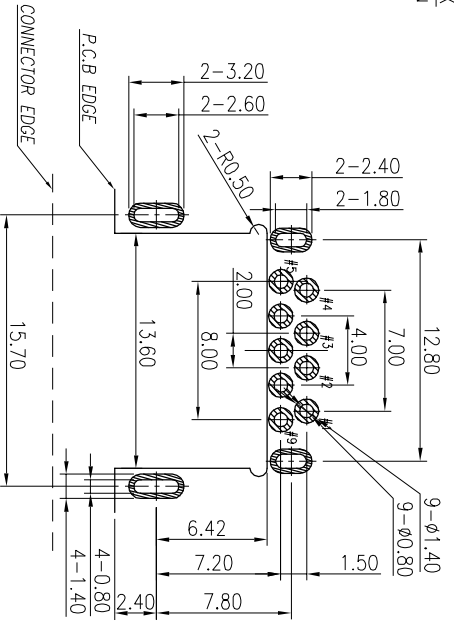
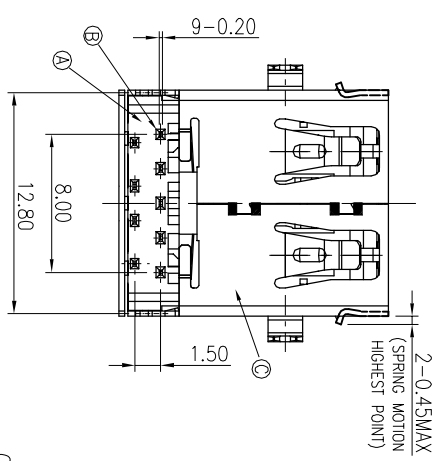
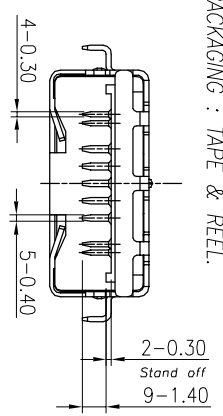
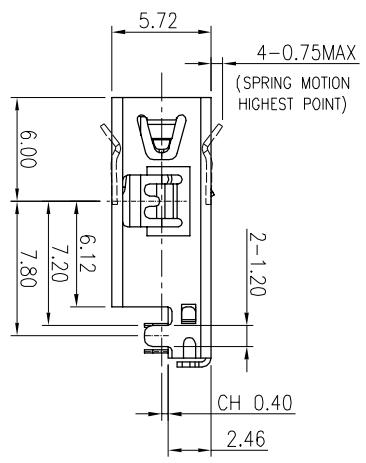
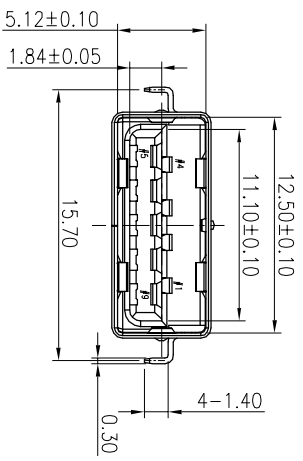
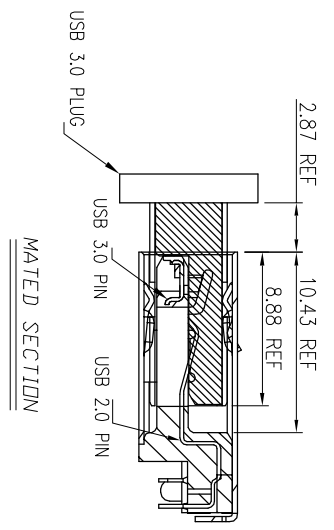
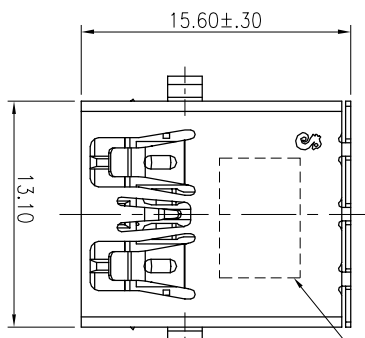


REV	ECN NO OR DESCRIPTION	REVISED	DATE
A	PDR NO.:I200428-2A	BING	2021.03.17

DATE CODE  
YYMMDD



Recommended P.C.B Layout (THK:1.0mm)  
Top View (Tol:±0.05)

SPECIFICATIONS:

- ELECTRICAL CHARACTERISTICS:
  - CURRENT RATING: 1.8A (PIN1,4) ; OTHER CONTACTS 0.25A
  - CONTACT RESISTANCE: 30mΩ MAX.
  - DILECTRIC WITHSTANDING VOLTAGE: 500V AC FOR 1 MINUTE
  - INSULATION RESISTANCE: 100MΩ MIN
- MECHANICAL CHARACTERISTICS:
  - INSERTION FORCE : 35N MAX. INITIAL.
  - WITHDRAMAL FORCE : 10N MIN. INITIAL, 8N MIN. FOR AFTER TEST.
  - DURABILITY: 5,000 CYCLES.
  - OTHER SPEC TO REFER USB 3.0 SPEC.
  - TO CONFORM TO SINGATRON HAZARDOUS SUBSTANCE FREE SPEC.
  - HALOGEN FREE PRODUCT IDENTIFICATION MARK : ☉
  - HALOGEN FREE PRODUCT IDENTIFICATION LABEL ON PACKAGING.
  - FOR REFLOW SOLDERING LEAD-FREE PROCESS.
  - PACKAGING : TAPE & REEL.



Gen 2 10G

Pin NO.	Signal Assignment
# 1	VBUS
# 2	D-
# 3	D+
# 4	PGND
# 5	SSRX-
# 6	SSRX+
# 7	GND
# 8	SSTX-
# 9	SSTX+

NO	DESCRIPTION	QTY	MATERIAL	PLATING & COLOR
C	SHELL	1	STEEL 0.3T	BLACK N: 50U" MIN
B	TERMINAL	9	COPPER ALLOY 0.2T	10U" PLATED ON MATING AREA Mater: Sn 50u"min,PLATED ON SOLDERING 60U"INCEL UNDER PLATING OVERALL
A	HOUSING	1	PAGT 45%GF UL94-V0	BLACK

Singatron Enterprise Co., Ltd.  
信音企業股份有限公司

DECIMALS:	ANGLES:	TITLE
X : ±0.5	X : ±2°	USB3.0 CONNECTOR
X.X : ±0.3	X.X : ±1°	DWN BING PART NO. 2UB2308-000361F
X.XX : ±0.2		CHKD James SCALE 1:1 UNIT: mm
		APVD Boye SIZE: A3 SHEET: 10F1 REV: A

CUSTOMER COPY