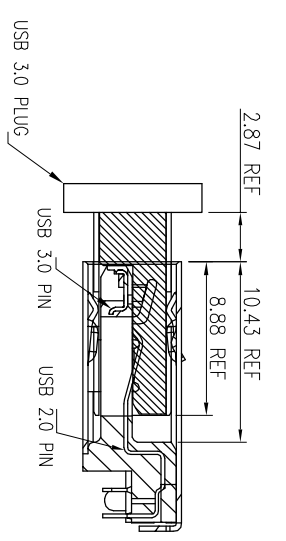
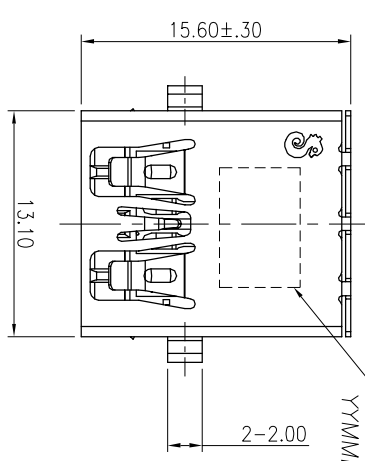
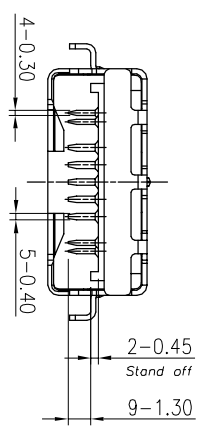
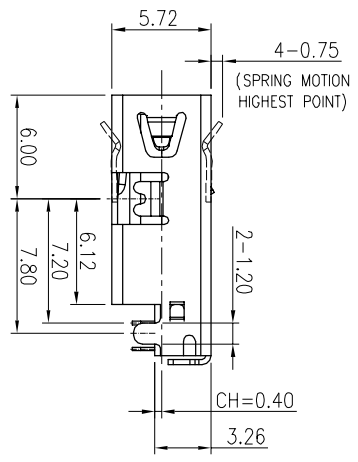
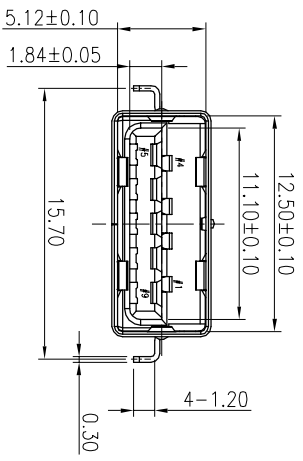


REV	ECN NO	OR DESCRIPTION	REVISED	DATE
A	PDR NO.:T200326-2A	BING	2021.01.19	

DATE CODE
YYMMDD

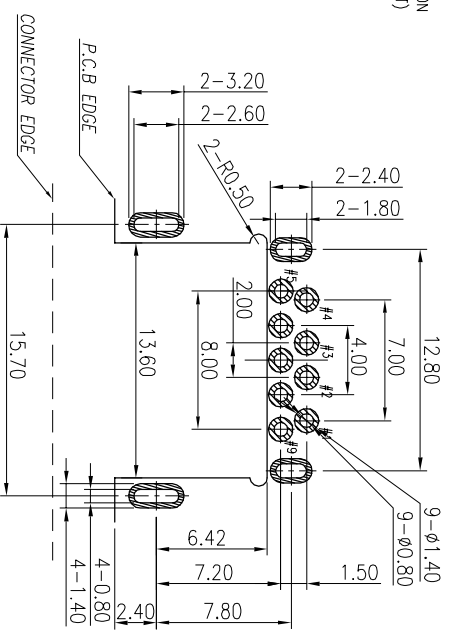
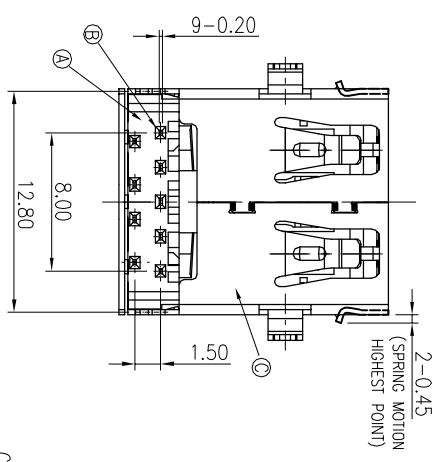


MATED SECTION



- SPECIFICATIONS:
- ELECTRICAL CHARACTERISTICS:
 - CURRENT RATING: 1.8A (PIN1,4) ; OTHER CONTACTS 0.25A
 - CONTACT RESISTANCE: 30mΩ MAX.
 - DIELECTRIC WITHSTANDING VOLTAGE: 500V AC FOR 1 MINUTE
 - INSULATION RESISTANCE: 100MΩ MIN
 - MECHANICAL CHARACTERISTICS:
 - INSERTION FORCE : 35N MAX. INITIAL.
 - WITHDRAWAL FORCE : 10N MIN. INITIAL, 8N MIN. FOR AFTER TEST.
 - DURABILITY: 5,000 CYCLES.
 - OTHER SPEC TO REFER USB 3.0 SPEC.
 - TO CONFORM TO SINGATRON HAZARDOUS SUBSTANCE FREE SPEC.
 - HALOGEN FREE PRODUCT IDENTIFICATION MARK : ☉
 - HALOGEN FREE PRODUCT IDENTIFICATION LABEL ON PACKAGING:
 - FOR REFLOW SOLDERING LEAD-FREE PROCESS.
 - PACKAGING : TAPE & REEL.

Pin NO	Signal Assignment
# 1	VBUS
# 2	D-
# 3	D+
# 4	PGND
# 5	SSRX-
# 6	SSRX+
# 7	GND
# 8	SSTX-
# 9	SSTX+



Recommended P.C.B. Layout (THK:1.0mm)
Top View (Tol:±0.05)

C	SHELL	1	STEEL 0.3T	BLACK NICKEL 50U" MIN
B	TERMINAL	9	COPPER ALLOY 0.2T	10U" Au PLATED ON MATING AREA NOTE: Sn 100U"MIN-PLATED ON SOLDERING 60U"NICKE UNDER PLATING OVERALL
A	HOUSING	1	PA9T 45%GF U94-V0	BLACK
NO	DESCRIPTION	QTY	MATERIAL	PLATING & COLOR

UNLESS OTHERWISE SPECIFIED TOLERANCES

Singatron Enterprise Co., Ltd.
信晉企業股份有限公司

TITLE	USB3.0 CONNECTOR
DWN	BING
CHKD	JAMES
APVD	BOYE

DECIMALS:	ANGLES:	PART NO.	2UB2308-000371F
X :±0.5	X :±2°	SCALE	1:1
X.X :±0.3	X.X :±1°	UNIT:	mm
X.XX :±0.2		SHEET:	10F1
		REV:	A

CUSTOMER COPY