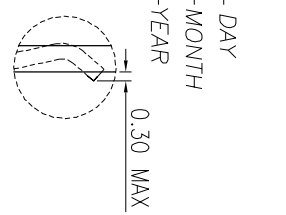
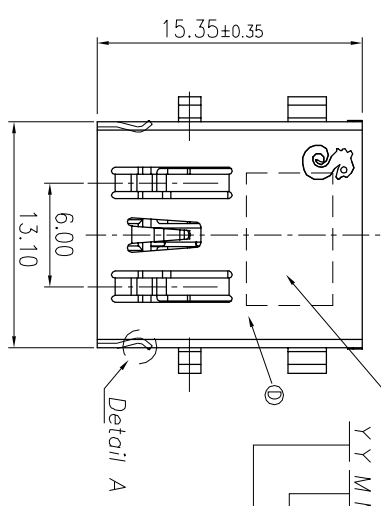
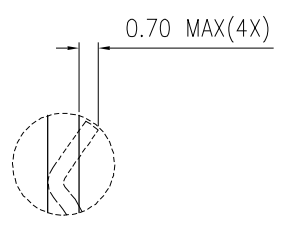


DATE CODE

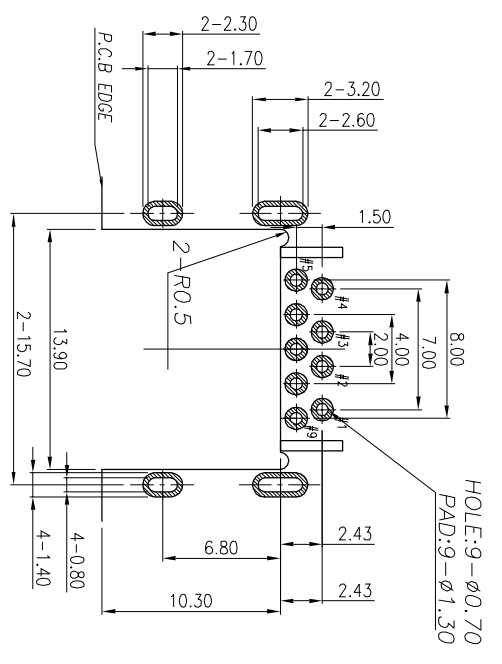
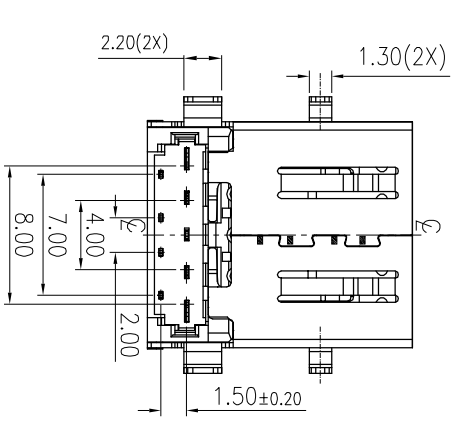
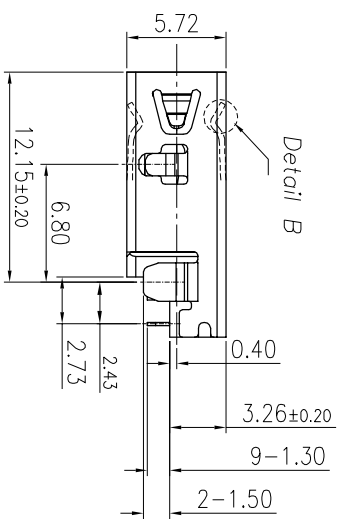
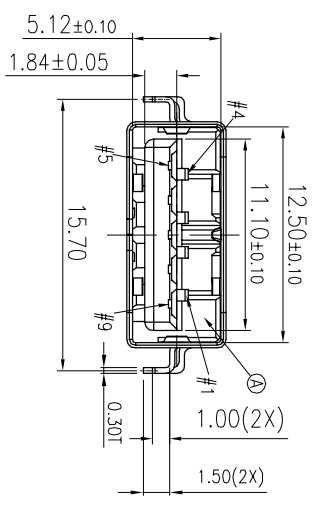
Y Y M M D D  
DAY  
MONTH  
YEAR



Detail A  
PLUG IN



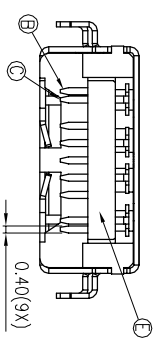
Detail B  
Spring Motion Highest Point



Recommended P.C.B layout (THK:1.0mm)  
Top View (Tol:±0.05)

SPECIFICATIONS:

- ELECTRICAL CHARACTERISTICS:
  - CURRENT RATING: 2.0A (PIN1,4) ; OTHER CONTACTS 0.25A
  - CONTACT RESISTANCE: 30mΩ MAX.
  - DIELECTRIC WITHSTANDING VOLTAGE: 500V AC FOR 1 MINUTE
  - INSULATION RESISTANCE: 100MΩ MIN
- MECHANICAL CHARACTERISTICS:
  - INSERTION FORCE : 35N MAX. INITIAL,
  - WITHDRAWAL FORCE : 10N MIN. INITIAL, 8N MIN. FOR AFTER TEST.
- DURABILITY: 5,000 CYCLES,
- OTHER SPEC TO REFER USB 3.0 SPEC.
- TO CONFORM TO SINGATRON HAZARDOUS SUBSTANCE FREE SPEC.
- HALOGEN FREE PRODUCT IDENTIFICATION MARK : Ⓢ
- HALOGEN FREE PRODUCT IDENTIFICATION LABEL ON PACKAGING:
- FOR REFLOW SOLDERING LEAD-FREE PROCESS.
- PACKAGING : TAPE & REEL.



Pin NO	Signal Assignment
# 1	VBUS
# 2	D-
# 3	D+
# 4	GND
# 5	SSRX-
# 6	SSRX+
# 7	GND
# 8	SSTX-
# 9	SSTX+

E	COVER	1	THERMAL PLASTIC UL94-V0	BLACK HF
D	SHELL	1	STEEL 0.3T	NICKEL 60U <sup>3</sup> MIN
C	4P TERMINAL	4	COPPER ALLOY 0.2T	G/F PLATED ON MATING AREA: Melt In 60-120U <sup>3</sup> ON SOLDE TAIL, ALL OVER 50U <sup>3</sup> NICKEL PLATED
B	5P TERMINAL	5	COPPER ALLOY 0.2T	
A	HOUSING	1	THERMAL PLASTIC UL94-V0	BLUE(300C)
NO	DESCRIPTION	QTY	MATERIAL	PLATING & COLOR

UNLESS OTHERWISE SPECIED TOLERANCES

Singatron Enterprise Co., Ltd.  
信音企業股份有限公司

TITLE: USB3.0

CHARACTERISTICS: ANGLES: X :±0.5 X :±2° X.X :±0.3 X.X :±1° X.XX :±0.2

DWN Charles PART NO. 2UB2308-000421F  
CHKD SCALE 1:1 UNIT: mm  
APVD SIZE: A3 SHEET: 10F1 REV: A

CUSTOMER COPY

REV	ECN NO	OR DESCRIPTION	REVISED	DATE
A	PDR NO.:T180827-3A	Charles	2019.12.25	