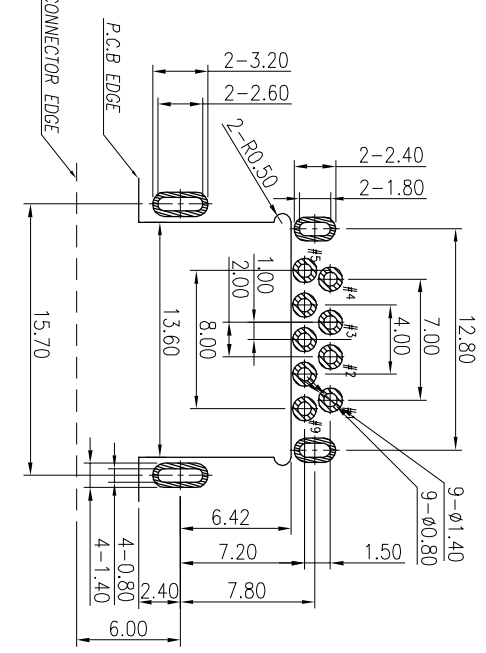
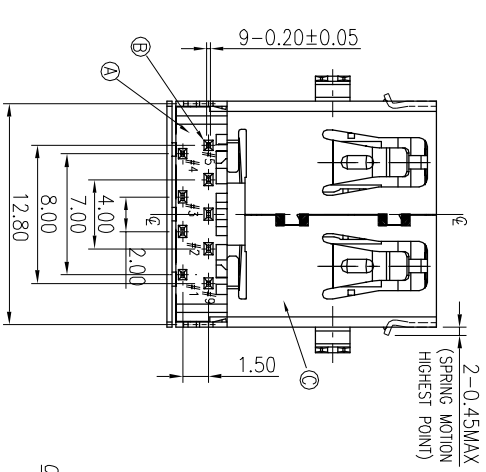
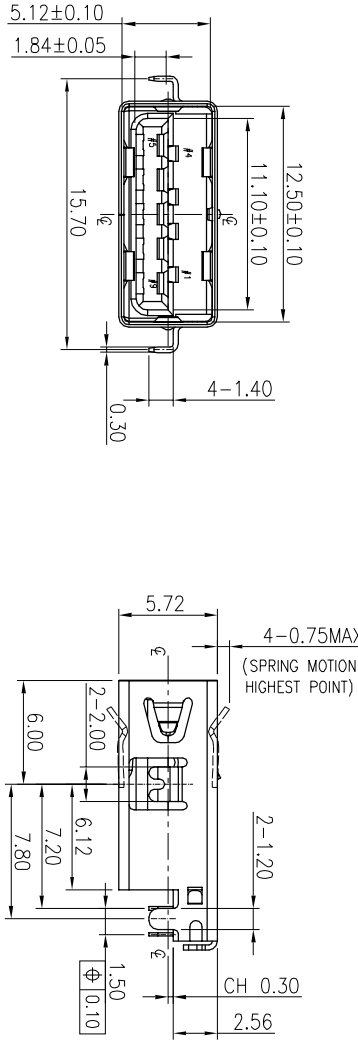
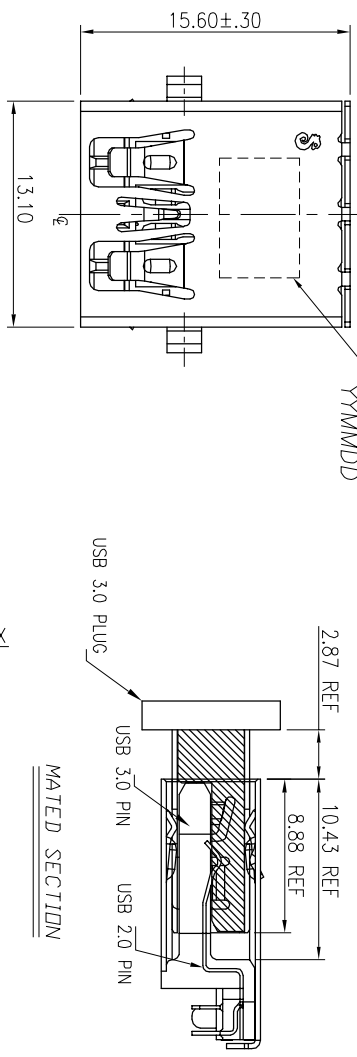
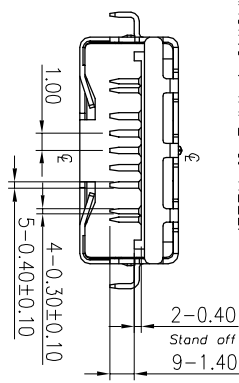


REV.	ECN NO OR DESCRIPTION	REVISED	DATE
A	PDR NO.:T220415-4A	HAOLAN	2022.06.15

DATE CODE
YYMMDD



- SPECIFICATIONS:**
- 1. ELECTRICAL CHARACTERISTICS:**
- 1-1. CURRENT RATING: 1.8A (PIN1,4) ; OTHER CONTACTS 0.25A
 - 1-2. CONTACT RESISTANCE: 30mΩ MAX.
 - 1-3. DIELECTRIC WITHSTANDING VOLTAGE: 100V AC FOR 1 MINUTE
 - 1-4. INSULATION RESISTANCE: 100MΩ MIN
- 2. MECHANICAL CHARACTERISTICS:**
- 2-1. INSERTION FORCE : 35N MAX. INITIAL.
 - 2-2. WITHDRAWAL FORCE : 10N MIN. INITIAL, 8N MIN. FOR AFTER TEST.
- 3. DURABILITY: 5,000 CYCLES.
 - 4. OTHER SPEC TO REFER USB 3.0 SPEC.
 - 5. TO CONFORM TO SINGATRON HAZARDOUS SUBSTANCE FREE SPEC.
 - 6. HALOGEN FREE PRODUCT IDENTIFICATION MARK : ☉
 - 7. HALOGEN FREE PRODUCT IDENTIFICATION LABEL ON PACKAGING.
 - 8. FOR REFLOW SOLDERING LEAD-FREE PROCESS.
 - 9. PACKAGING : TAPE & REEL.



Gen 2 10G

C	SHELL	1	STEEL 0.3T	60μm Min. Solderable Nickel plating
B	TERMINAL	9	COPPER ALLOY 0.2T	10μm Min. Gold plating on contact area, 40-60μm Min. Matte tin plating on solder lead area, 60μm Min. Nickel under plating.
A	HOUSING	1	HIGH TEMPERATURE THERMOPLASTIC UL94V-0	BLACK
NO	DESCRIPTION	QTY	MATERIAL	PLATING & COLOR

Singatron Enterprise Co., Ltd.
信登企業股份有限公司

DECIMALS:	ANGLES:	TITLE	USB3.0 CONNECTOR
X : ±0.5	X : ±2°	DWN	HAOLAN PART NO. 2UB2308-000451F
X.X : ±0.3	X.X : ±1°	CHKD	oilen SCALE 1:1 UNIT: mm
X.XX : ±0.2		APVD	boye SIZE: A3 SHEET: 10F1 REV: A

CUSTOMER COPY