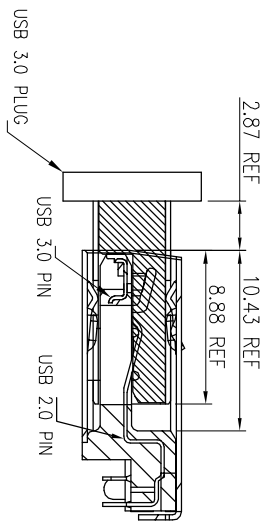
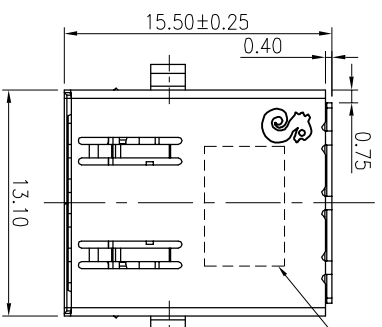


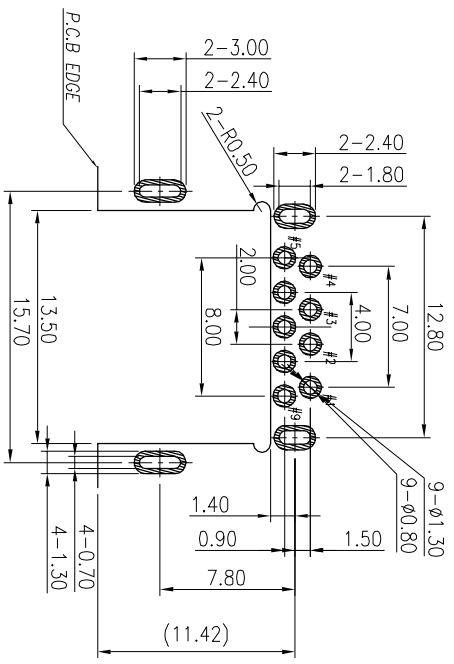
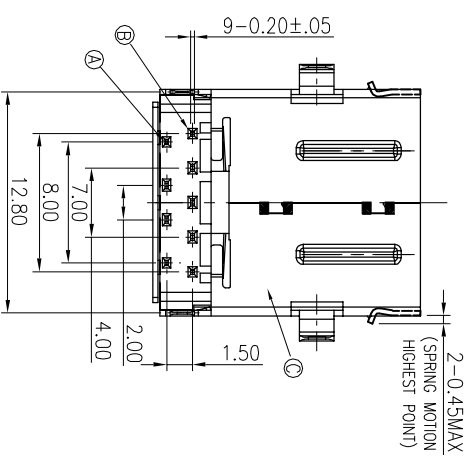
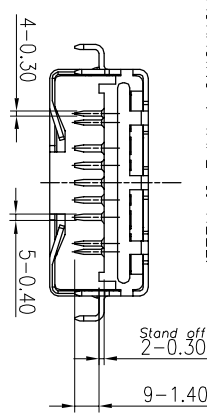
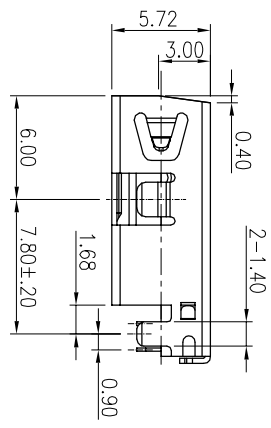
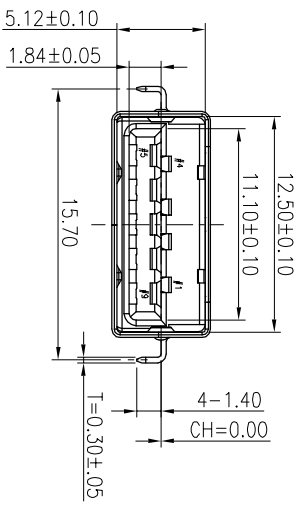
| REV | ECN NO OR DESCRIPTION | REVISED | DATE |
|-----|-----------------------|---------|------------|
| A | PDR NO.:T230524-4A | HAOLIAN | 2024.01.16 |

DATE CODE
YYMMDD



MATED SECTION

- SPECIFICATIONS:
1. ELECTRICAL CHARACTERISTICS:
- 1-1. CURRENT RATING: 1.8A (PIN1,#4) ; OTHER CONTACTS 0.25A
 - 1-2. CONTACT RESISTANCE: VBUS&GND 30mΩ Max ,Other 50mΩ MAX
 - 1-3. DIELECTRIC WITHSTANDING VOLTAGE: 500V AC FOR 1 MINUTE
 - 1-4. INSULATION RESISTANCE: 100MΩ MIN
2. MECHANICAL CHARACTERISTICS:
- 2-1. INSERTION FORCE : 2.0kgf MAX. INITIAL.
 - 2-2. WITHDRAWAL FORCE : 0.8~2.0kgf
- 3. DURABILITY: 5,000 CYCLES.
 - 4. OTHER SPEC TO REFER USB 3.0 SPEC.
 - 5. TO CONFORM TO SINGATRON HAZARDOUS SUBSTANCE FREE SPEC.
 - 6. HALOGEN FREE PRODUCT IDENTIFICATION MARK : ◎
 - 7. HALOGEN FREE PRODUCT IDENTIFICATION LABEL ON PACKAGING.
 - 8. FOR REFLOW SOLDERING LEAD-FREE PROCESS.
 - 9. PACKAGING : TAPE & REEL.



Recommended P.C.B layout (THK:1.2mm)
Top View (Tot:±0.05)

Gen 2 10G

| Pin NO | Signal Assignment |
|--------|-------------------|
| # 1 | VBUS |
| # 2 | D- |
| # 3 | D+ |
| # 4 | PGND |
| # 5 | SSRX- |
| # 6 | SSRX+ |
| # 7 | GND |
| # 8 | SSTX- |
| # 9 | SSTX+ |

| | | | | |
|----|-------------|-----|-------------------|---|
| C | SHELL | 1 | STEEL 0.3T | Ni: 50u" MIN |
| B | TERMINAL | 9 | COPPER ALLOY 0.2T | G/F PLATED ON MATING AREA NOTE: Sn 50u" MIN PLATED ON SOLDERING 60u" NICKEL UNDER PLATING OVERALL |
| A | HOUSING | 1 | PA9T 45%GF U94-V0 | BLACK |
| NO | DESCRIPTION | QTY | MATERIAL | PLATING & COLOR |

UNLESS OTHERWISE SPECIFIED TOLERANCES

Singatron Enterprise Co., Ltd.
信音企業股份有限公司

| | | | | |
|-------|------------------|----------|-----------------|-------------|
| TITLE | USB3.2 CONNECTOR | | | |
| DWN | HAOLIAN | PART NO. | SUB2308-000531F | |
| CHKD | ALLEN | SCALE | 1:1 | UNIT: mm |
| APVD | Boye | SIZE: | A3 | SHEET: 10F1 |
| REV: | A | | | |

CUSTOMER COPY