
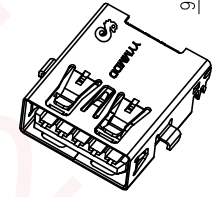
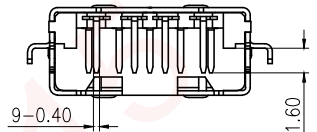
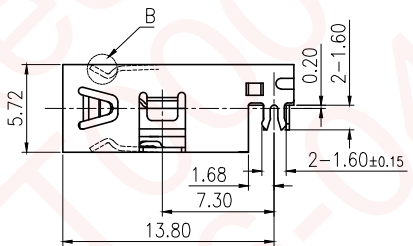
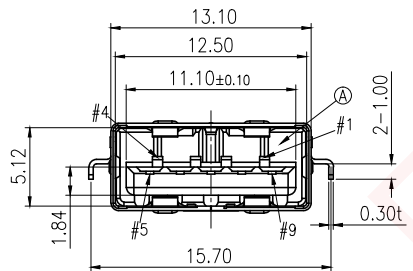
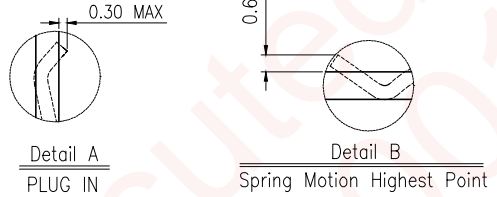
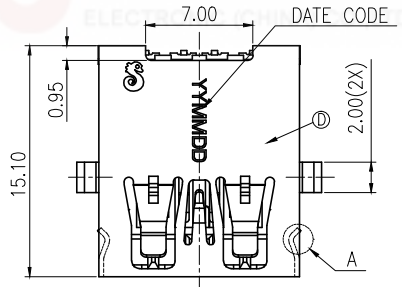


1 2 3 4 5 6 7 8

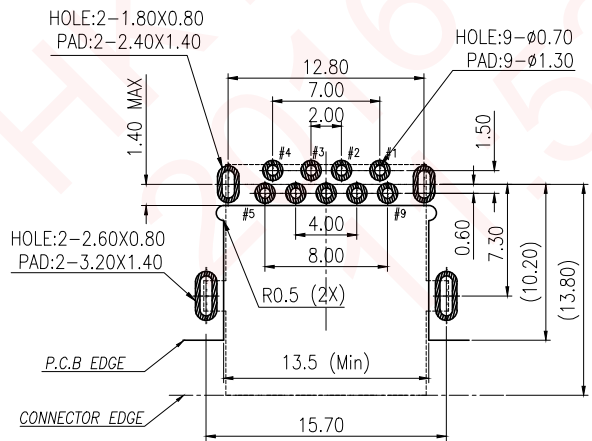
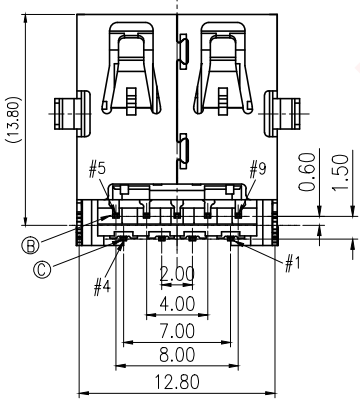
REV.	ECN NO OR DESCRIPTION	REVISED	DATE
A	PRODUCT RELEASE	Hewei	2013.09.26
B	ECN NO.:C140032 UPDATE DATE CODE	ZLS	2014.7.11
C	ECN NO.:S160140-C	PENG	2016.03.18


**SPECIFICATIONS:**

- ELECTRICAL CHARACTERISTICS:**
  - CURRENT RATING: 1.8A (PIN1,4) ; OTHER CONTACTS 0.25A
  - CONTACT RESISTANCE: 50mΩ MAX. INITIAL.
  - DIELECTRIC WITHSTANDING VOLTAGE: 100V AC FOR 1 MINUTE
  - INSULATION RESISTANCE: 100MΩ MIN
- MECHANICAL CHARACTERISTICS:**
  - INSERTION FORCE : 3.5 Kgf MAX
  - WITHDRAWAL FORCE : 1.02 Kgf MIN
- DURABILITY: 5,000 CYCLES,**
- OTHER SPEC TO REFER USB 3.0 SPEC.**
- TO CONFORM TO SINGATRON HAZARDOUS SUBSTANCE FREE SPEC.**
- HALOGEN FREE PRODUCT IDENTIFICATION MARK : Ⓞ**
- HALOGEN FREE PRODUCT IDENTIFICATION LABEL ON PACKAGING: **
- FOR REFLOW SOLDERING LEAD-FREE PROCESS.**
- PACKAGING : TAPE & REEL.**



Pin NO.	Signal Assignment
# 1	VBUS
# 2	D-
# 3	D+
# 4	PGND
# 5	SSRX-
# 6	SSRX+
# 7	GND
# 8	SSTX-
# 9	SSTX+



D	SHELL	1	SUS301-1/2 H 0.3T	NICKEL 60u"MIN
C	4P TERMINAL	4	C5210-EH 0.2T	Au 2u" AND Pd/Ni 30u" ON CONTACT AREA, TIN 60u"MIN. ON SOLDER TAIL, ALL OVER 80u" NICKEL PLATED
B	5P TERMINAL	5	C5210-EH 0.2T	
A	HOUSING	1	PA-10T-Vi.cny1 R630NH(無油)	BLACK
NO	DESCRIPTION	QTY	MATERIAL	PLATING & COLOR
UNLESS OTHERWISE SPECIFIED TOLERANCES		 Singatron Enterprise Co., Ltd. 信音企業股份有限公司		
DECIMALS: ANGLES:		TITLE: USB3.0 REVRSE CONNECTOR		
X	:±0.5 X :±2°	DWN	PENG	PART NO. 2UB2308-002211F
X.X	:±0.3 X.X :±1°	CHKD	JAMES	SCALE 4:1 UNIT: mm
X.XX	:±0.2	APVD	BOYE	SIZE: A3 SHEET:1 OF 1 REV: C
CUSTOMER COPY				

1 2 3 4 5 6 7 8