
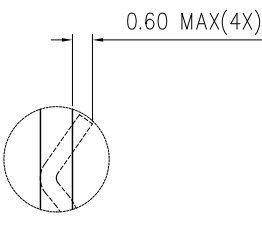
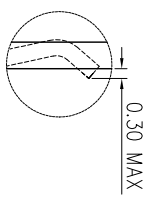
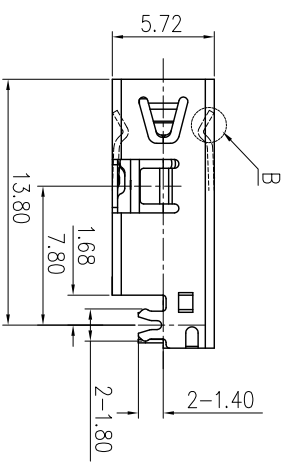
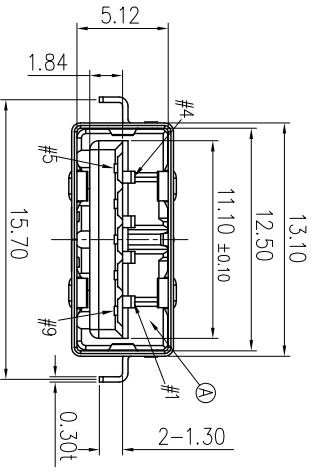
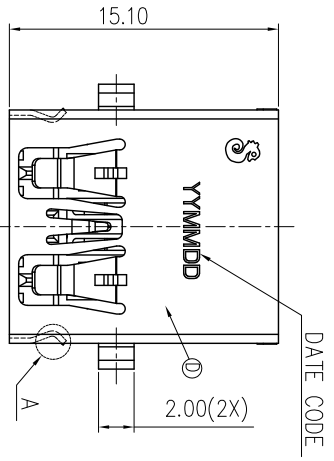


REV	ECN NO. OR DESCRIPTION	REVISED	DATE
A	PRODUCT RELEASE	Chunxiao	2014.07.01

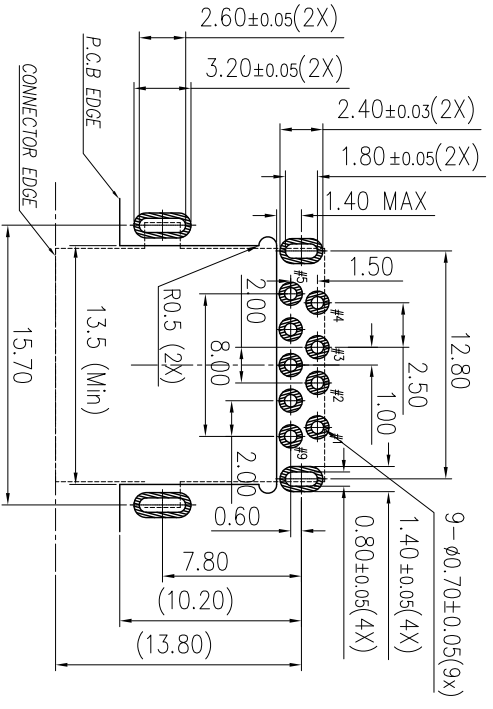
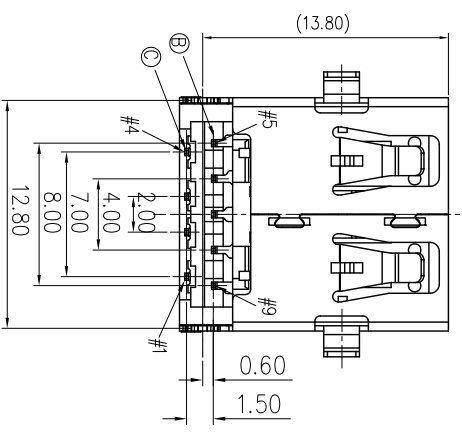
SPECIFICATIONS:

- ELECTRICAL CHARACTERISTICS:**
 - 1-1. CURRENT RATING: 1.8A (PIN1,4) ; OTHER CONTACTS 0.25A
 - 1-2. CONTACT RESISTANCE: 50mΩ MAX/INITIAL
 - 1-3. DIELECTRIC WITHSTANDING VOLTAGE: 100V AC FOR 1 MINUTE
 - 1-4. INSULATION RESISTANCE: 100MΩ MIN
- MECHANICAL CHARACTERISTICS:**
 - 2-1. INSERTION FORCE : 3.5 Kgf MAX
 - 2-2. WITHDRAWAL FORCE : 1.02 Kgf MIN
- DURABILITY:** 5,000 CYCLES.
4. OTHER SPEC TO REFER USB 3.0 SPEC.
5. TO CONFORM TO SINGATRON HAZARDOUS SUBSTANCE FREE SPEC.
6. HALOGEN FREE PRODUCT IDENTIFICATION MARK : ◎
7. HALOGEN FREE PRODUCT IDENTIFICATION LABEL ON PACKAGING: 
7. FOR REFLOW SOLDERING LEAD-FREE PROCESS.
8. PACKAGING : TAPE & REEL.

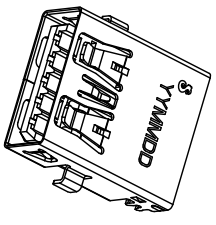
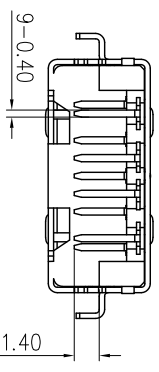


Detail A
PLUG IN

Detail B
Spring Motion Highest Point



Recommended P.C.B Layout (THK: 1.0mm)
Top View (Tol: ±0.05)



NO	DESCRIPTION	QTY	MATERIAL	PLATING & COLOR	Pin NO.	Signal Assignment
D	SHELL	1	STAINLESS STEEL	NICKEL 60U MIN	# 1	Signal VBUS
C	4P TERMINAL	4	COPPER ALLOY	Au 2u" AND Pd/Ni 30u" ON CONTACT AREA .1IN 60U"MIN. ON SOLDER TAIL ALL OVER 80U" NICKEL PLATED	# 2	D-
B	5P TERMINAL	5	COPPER ALLOY	TAIL ALL OVER 80U" NICKEL PLATED	# 3	D+
A	HOUSING	1	THERMAL PLASTIC UL94-HB	BLUE	# 4	PGND
NO	DESCRIPTION				# 5	SSRX-
					# 6	SSRX+
					# 7	GND
					# 8	SSTX-
					# 9	SSTX+

UNLESS OTHERWISE SPECIFIED TOLERANCES		Singatron Enterprise Co., Ltd. 信音企業股份有限公司	
DECIMALS:	ANGLES:	USB3.0 REVERSE CONNECTOR	
X : ±0.5	X : ±2°	PART NO. ZUB2308-005211F	
X.X : ±0.3	X.X : ±1°	SCALE 4:1	
X.XX : ±0.2		UNIT: mm	
		SHEET 1 OF 1	
		REV: A	

TITLE		CUSTOMER COPY	
DWN	Quantity 14/72	APVD	
CHKD	DATE 14/72	Date 14/72	
APVD	SIZE: A3	SHEET 1 OF 1	