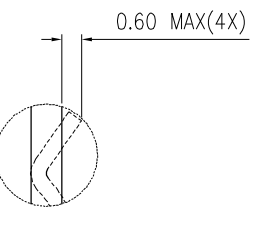
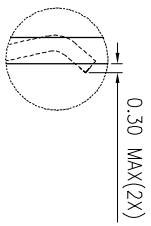
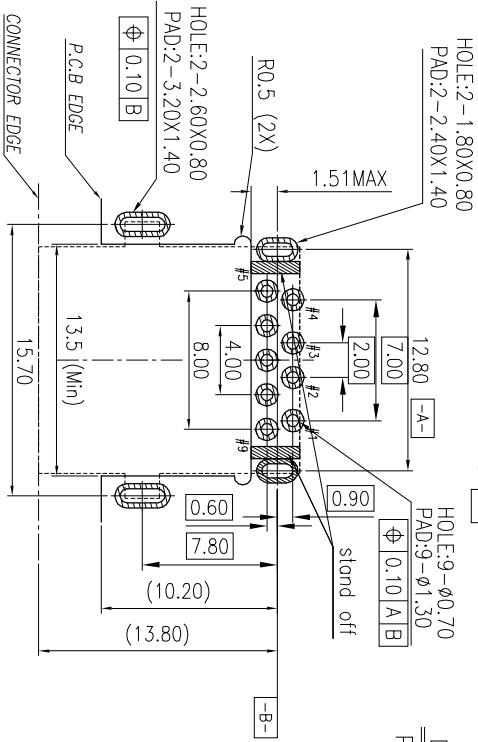
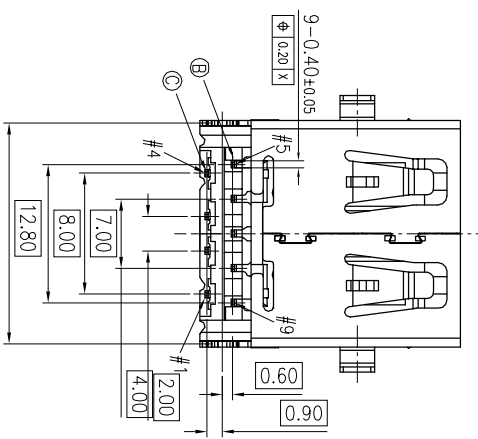
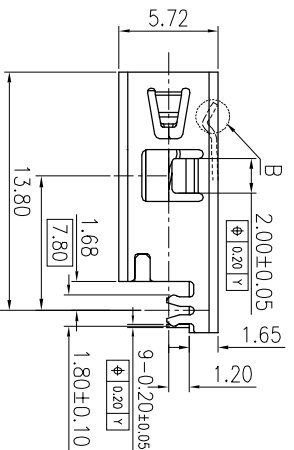
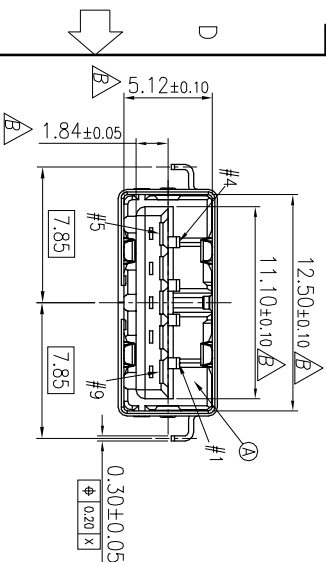


- SPECIFICATIONS:**
- ELECTRICAL CHARACTERISTICS:
    - 1-1. CURRENT RATING: 1.8A (PIN1,4) ; OTHER CONTACTS 0.25A
    - 1-2. CONTACT RESISTANCE: 50mΩ MAX.INITIAL.
    - 1-3. DIELECTRIC WITHSTANDING VOLTAGE: 100V AC FOR 1 MINUTE
    - 1-4. INSULATION RESISTANCE: 100 MEGOHMS BY 500V DC.
  - MECHANICAL CHARACTERISTICS:
    - 2-1. INSERTION FORCE : 3.5 kgf MAX.
    - 2-2. WITHDRAWAL FORCE : 1.0 kgf MIN.
  - DURABILITY: 5,000 CYCLES,
  - OTHER SPEC TO REFER USB 3.0 SPEC.
  - TO CONFORM TO SINGATRON HAZARDOUS SUBSTANCE FREE SPEC.
  - HALOGEN FREE PRODUCT IDENTIFICATION MARK : ☉
  - FOR REFLOW SOLDERING LEAD-FREE PROCESS.
  - PACKAGING : TAPE & REEL.



Pin NO	Signal Assignment
# 1	VBUS
# 2	D-
# 3	D+
# 4	PGND
# 5	SSRX-
# 6	SSRX+
# 7	GND
# 8	SSTX-
# 9	SSTX+

NO	DESCRIPTION	QTY	MATERIAL	PLATING & COLOR
D	SHELL	1	SUS301-1/2 H	NICKEL 600 <sup>MIN</sup>
C	4P TERMINAL	4	C5210-EH	G/F ON CONTACT AREA .7IN 600 <sup>MIN</sup> ON SOLDER TAIL ALL OVER 800 <sup>MIN</sup> NICKEL PLATED
B	5P TERMINAL	5	C5210-EH	
A	HOUSING	1	PA9T+45GF, UL94V-0	BLUE

UNLESS OTHERWISE SPECIFIED TOLERANCES

DECIMALS: ANGLES:

X : ±0.5    X : ±2°

X.X : ±0.3    X.X : ±1°

X.XX : ±0.2

RECOMMENDED P.C.B LAYOUT (THICKNESS=1.0mm)  
(Component Side) TOLERANCE=±0.05 TOP VIEW

REV	ECN NO OR DESCRIPTION	REVISED	DATE
A	PDR NO:1T61118-1A	peng	2017.04.20
B	ECN NO:5202004-C15	BING	2020.05.28

Singatron Enterprise Co., Ltd.  
 信晉企業股份有限公司  
 USB3.0 REVERSE CONNECTOR  
 PART NO. 2UB2308-0172211F  
 SCALE 4:1 UNIT: mm  
 SIZE: A3 SHEET: 1 OF 1 REV: B  
 CUSTOMER COPY