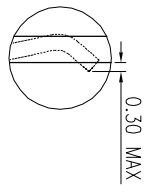
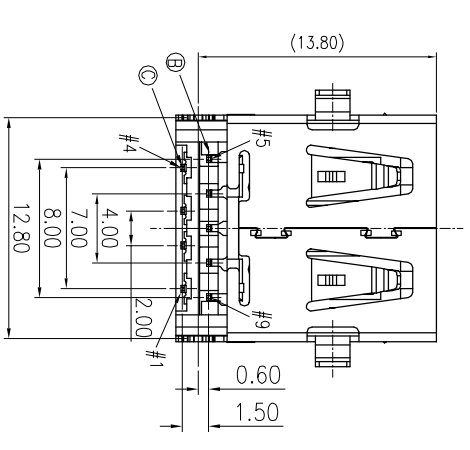
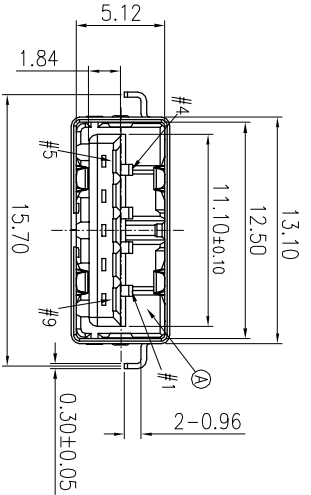
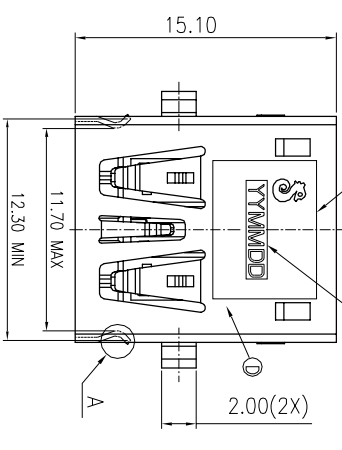
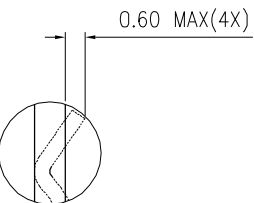


PICK PLACE AREAS
(8.0*6.0)

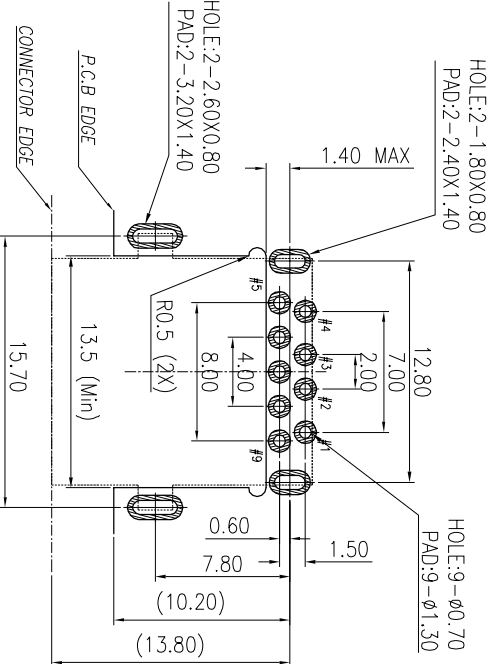
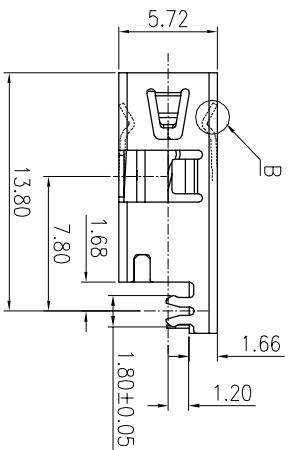
DATE CODE



Detail A
PLUG IN



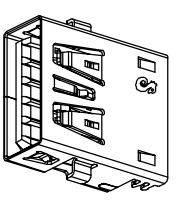
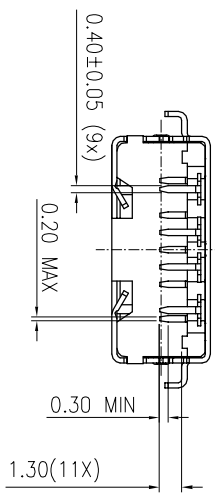
Detail B
Spring Motion Highest Point



Recommended P.C.B Layout (THK:1.0mm)
Top View (Tol:±0.05)

SPECIFICATIONS:

- ELECTRICAL CHARACTERISTICS:
 - CURRENT RATING: 1.8A (PIN1,4) ; OTHER CONTACTS 0.25A
 - CONTACT RESISTANCE: 50mΩ MAX,INITIAL.
 - DIELECTRIC WITHSTANDING VOLTAGE: 100V AC FOR 1 MINUTE
 - INSULATION RESISTANCE: 100 MEGOHMS BY 500V DC.
- MECHANICAL CHARACTERISTICS:
 - INSERTION FORCE : 3.5 kgf MAX.
 - WITHDRAWAL FORCE : 1.02 kgf MIN.
- DURABILITY: 5,000 CYCLES,
- OTHER SPEC TO REFER USB 3.0 SPEC.
- TO CONFORM TO SINGATRON HAZARDOUS SUBSTANCE FREE SPEC.
- HALOGEN FREE PRODUCT IDENTIFICATION MARK : Ⓢ
- HALOGEN FREE PRODUCT IDENTIFICATION LABEL ON PACKAGING: Ⓢ
- FOR REFLOW SOLDERING LEAD-FREE PROCESS.
- PACKAGING : TAPE & REEL.



Pin NO	Signal Assignment
# 1	VBUS
# 2	D-
# 3	D+
# 4	PGND
# 5	SSRX-
# 6	SSRX+
# 7	GND
# 8	SSTX-
# 9	SSTX+

D	SHELL	1	STAINLESS STEEL	NICKEL 60U "/>MIN
C	4P TERMINAL	4	COPPER ALLOY	4u 2u" AND Pd/Ni 30u" ON CONTACT AREA ,11u 60u "/>MIN. ON SOLDER TAIL,ALL OVER 80U "/>NICKEL PLATED
B	5P TERMINAL	5	COPPER ALLOY	
A	HOUSING	1	THERMOPLASTIC UH94V-0	BLACK
NO	DESCRIPTION	QTY	MATERIAL	PLATING & COLOR

UNLESS OTHERWISE SPECIFIED TOLERANCES

Singatron Enterprise Co., Ltd.
信晉企業股份有限公司

TITLE USB3.0 REVERSE CONNECTOR

DWM He PART NO. 2UB2308-019211F

CHKD James SCALE 4:1 UNIT: mm

APVD Boye SIZE: A3 SHEET: 1 OF 1 REV: A

CUSTOMER COPY

REV.	EGN NO OR DESCRIPTION	REVISED	DATE
A	PDR NO.:T171023-1A	He	2018.01.12