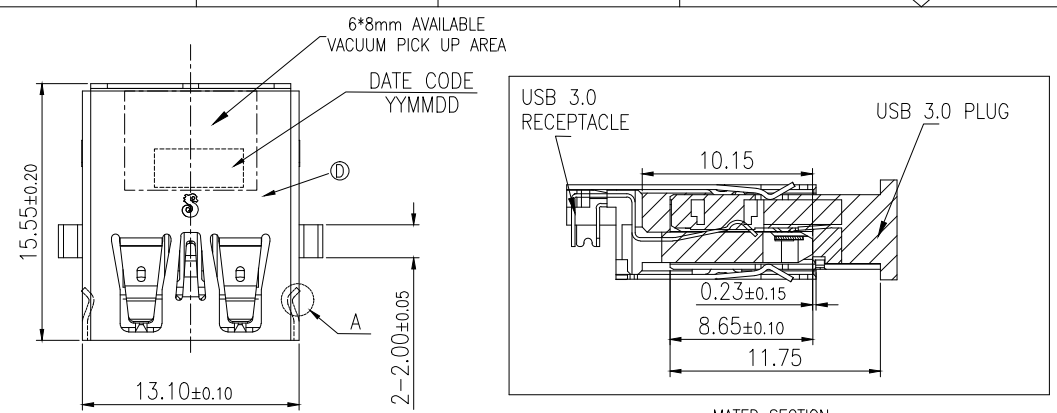
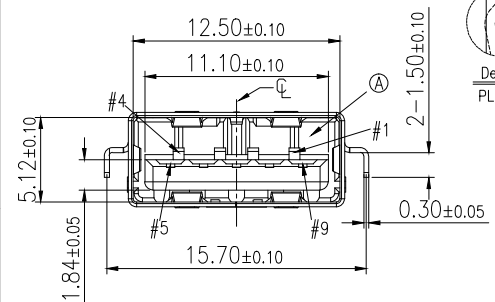
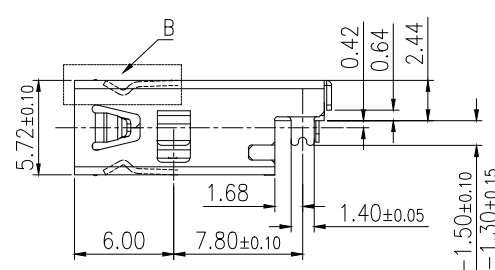
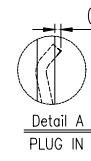


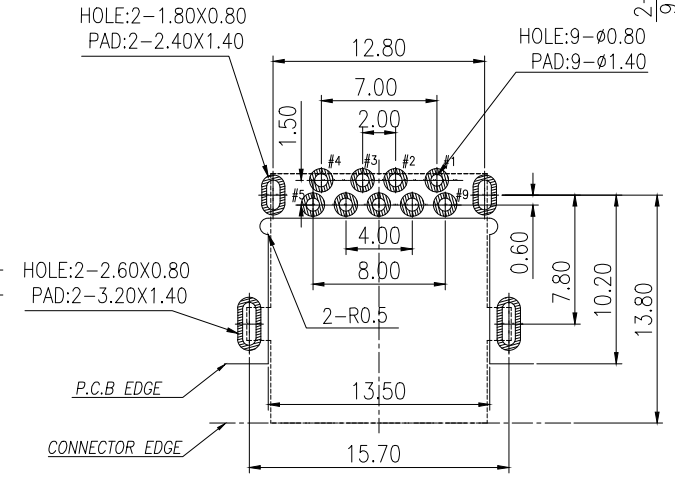
REV.	ECN NO OR DESCRIPTION	REVISED	DATE
A	PDR NO : T171113-1A	charles	2018.11.03



- SPECIFICATIONS:**
- ELECTRICAL CHARACTERISTICS:**
 - CURRENT RATING: 2.0A (PIN1,4) ; OTHER CONTACTS 0.25A
 - CONTACT RESISTANCE: 30mΩ MAX.
 - DIELECTRIC WITHSTANDING VOLTAGE: 500V AC FOR 1 MINUTE
 - INSULATION RESISTANCE: 100MΩ MIN
 - MECHANICAL CHARACTERISTICS:**
 - INSERTION FORCE : 10N~35N . INITIAL.
 - WITHDRAWAL FORCE : 10N~35N . INITIAL, 8N~35N . FOR AFTER TEST.
 - DURABILITY: 5,000 CYCLES,
 - OTHER SPEC TO REFER USB 3.0 SPEC.
 - TO CONFORM TO SINGATRON HAZARDOUS SUBSTANCE FREE SPEC.
 - HALOGEN FREE PRODUCT IDENTIFICATION MARK : ☉
 - HALOGEN FREE PRODUCT IDENTIFICATION LABEL ON PACKAGING:
 - FOR REFLOW SOLDERING LEAD-FREE PROCESS.
 - PACKAGING : TAPE & REEL.



Pin NO.	Signal Assignment
# 1	VBUS
# 2	D-
# 3	D+
# 4	PGND
# 5	SSRX-
# 6	SSRX+
# 7	GND
# 8	SSTX-
# 9	SSTX+



NO	DESCRIPTION	QTY	MATERIAL	PLATING & COLOR
E	Housing-Cover	1	PA-9T, 94V-0	
D	SHELL	1	SUS430-H T0.30	NICKEL 60u"MIN
C	4P TERMINAL	4	C5210-EH 0.2T	Au 30u" ON CONTACT AREA Sn 60~120u" ON SOLDE TAIL, ALL OVER 80~140u" NICKEL PLATED
B	5P TERMINAL	5	C5210-EH 0.2T	
A	HOUSING	1	PA9T+45% UL94-V0	BLUE(300C)

UNLESS OTHERWISE SPECIFIED TOLERANCES

DECIMALS: ANGLES:

X :±0.5 X :±2°

X.X :±0.3 X.X :±1°

X.XX :±0.2

TITLE: USB3.0 CONNECTOR

DWN charles PART NO. 2UB2308-020111F

CHKD james SCALE 4:1 UNIT: mm

APVD boye SIZE: A3 SHEET:1 OF 1 REV: A

CUSTOMER COPY