

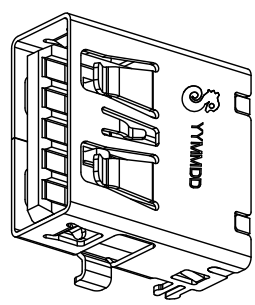
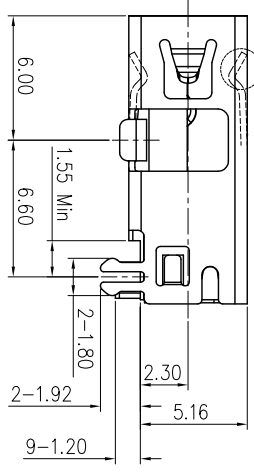
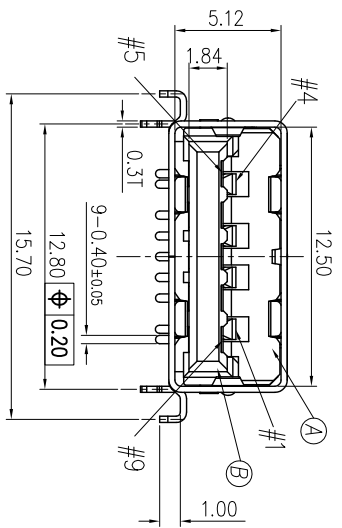
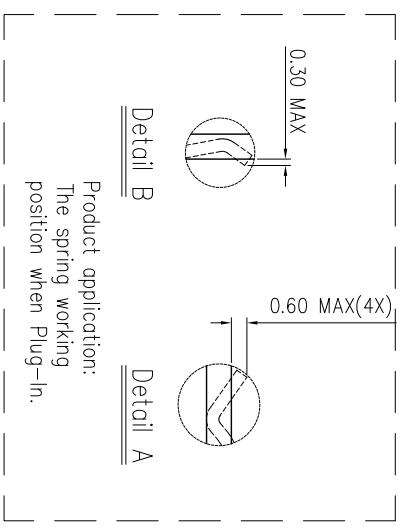
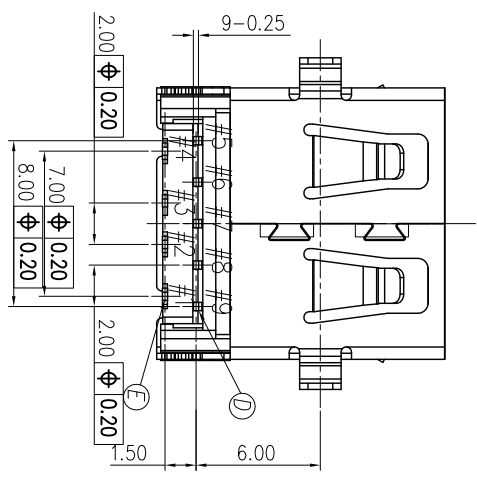
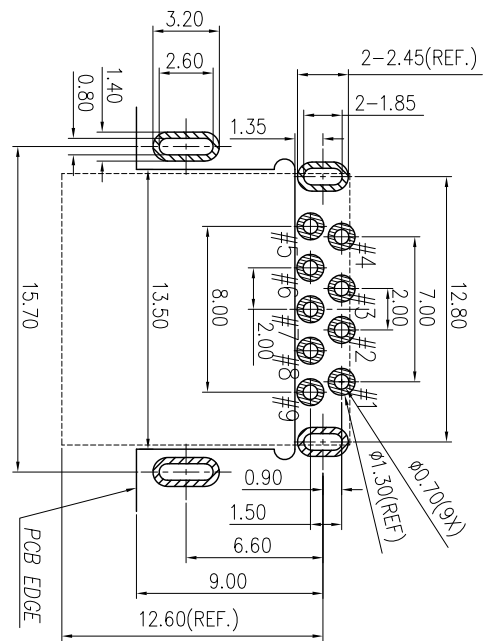


REV.	ECN NO OR DESCRIPTION	REVISED	DATE
A	PRODUCT RELEASE	Landy	2012.11.02

- SPECIFICATIONS:**
- ELECTRICAL CHARACTERISTICS:**
 - 1-1 CURRENT RATING: 1.8A (PIN1, 4); OTHER CONTACTS: 0.25A
 - WORKING RATED VOLTAGE: 30V AC
 - 1-2 CONTACT RESISTANCE: 30mΩ MAX.
 - 1-3 DIELECTRIC WITHSTANDING VOLTAGE: 100V AC FOR 1 MINUTE
 - 1-4 INSULATION RESISTANCE: 100MΩ MIN
 - MECHANICAL CHARACTERISTICS:**
 - 2-1 INSERTION FORCE : 3.5 Kgf MAX
 - 2-2 WITHDRAWAL FORCE : 1.0 Kgf MIN
 - 3 DURABILITY: 5,000 CYCLES.
 - 4. OTHER SPEC TO REFER USB 3.0 SPEC.
 - 5. TO CONFORM TO SINGATRON HAZARDOUS SUBSTANCE FREE SPEC.
 - 6. HALOGEN FREE PRODUCT IDENTIFICATION MARK : 
 - 7. HALOGEN FREE PRODUCT IDENTIFICATION LABEL ON PACKAGING 
 - 8. FOR REFLOW SOLDERING LEAD-FREE PROCESS.
 - 9. PACKAGING : TAPE & REEL.



Pin NO.	Signal Assignment
# 1	VBUS
# 2	D-
# 3	D+
# 4	GND
# 5	Sida_SSR-
# 6	Sida_SSR+
# 7	GND_DRAIN
# 8	Sida_SST-
# 9	Sida_SST+
SHELL Shield	



Recommended P.C.B Layout (THK: 1.2mm)
Top View (Tol: ±0.05)

E	4P TERMINAL	4	COPPER ALLOY 0.25t	4	COPPER ALLOY 0.25t	0.02 24" OVER P.O.N/ 30" ON CONTACT AREA
D	5P TERMINAL	5	COPPER ALLOY 0.25t	5	COPPER ALLOY 0.25t	GOLD FLASH ON SOLDER TAIL, ALL OVER 80" NICKEL PLATED
C	SHELL	1	STAINLESS STEEL	1	NICKEL 60u" MIN	
B	HOUSING	1	HIGH TEMPERATURE	1	BLUE(300C)	
A	BASE	1	HIGH TEMPERATURE	1	BLUE(300C)	
NO	DESCRIPTION	QTY	MATERIAL	PLATING & COLOR		

Singatron Enterprise Co., Ltd.
信營企業股份有限公司

DECIMALS:	ANGLES:	TITLE	USB3.0 REVERSE CONNECTOR
X : ±0.5	X : ±2°	DWN	2012/12/8
X.X : ±0.3	X.X : ±1°	CHKD	2012/12/8
X.XX : ±0.2		APVD	2012/12/8

CUSTOMER COPY