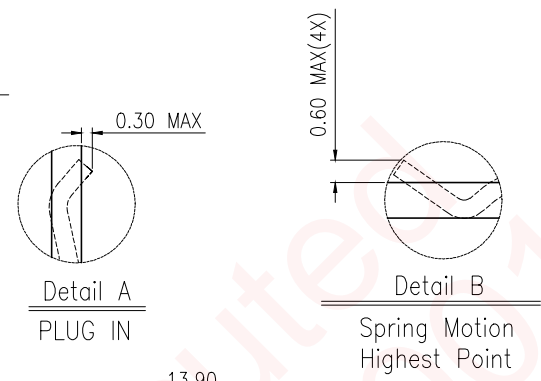
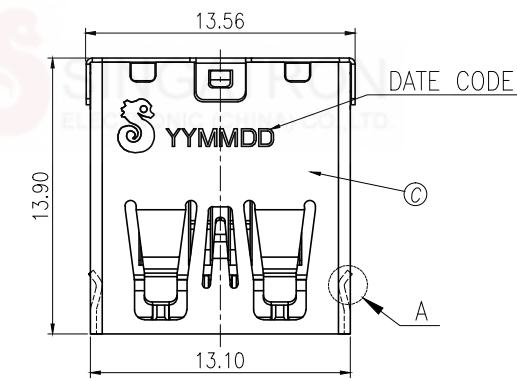
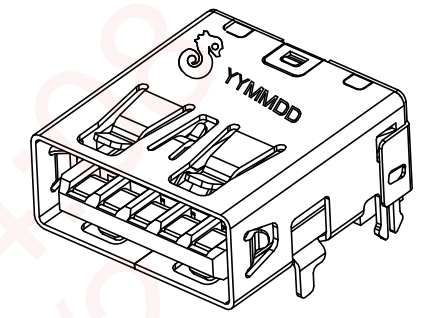
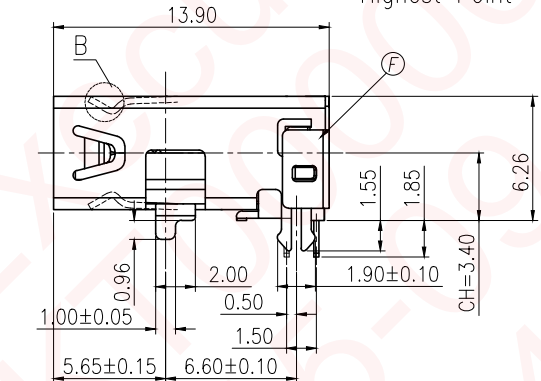
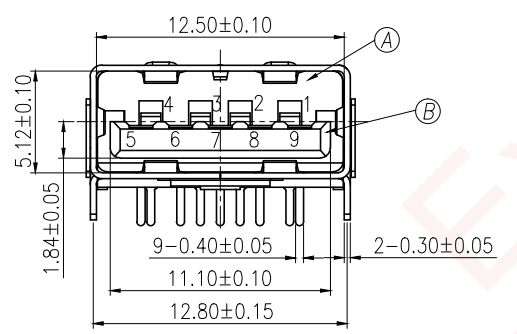


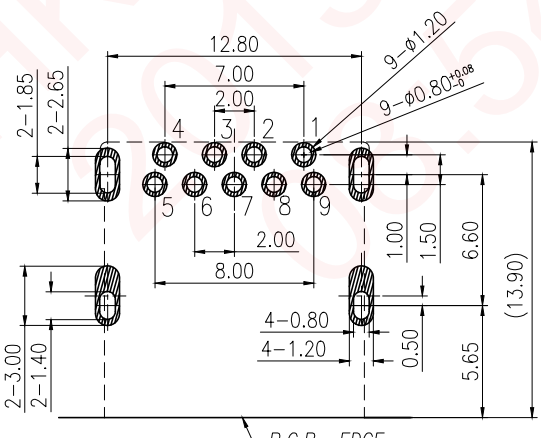
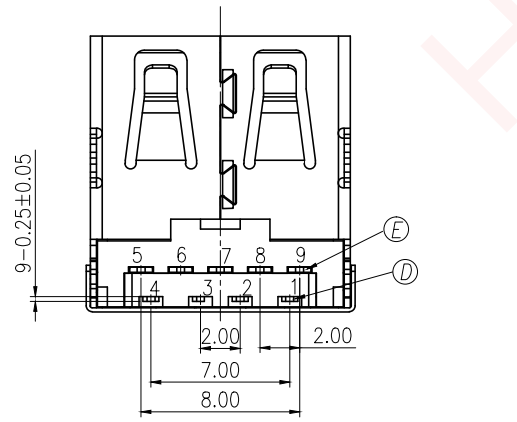
REV.	ECN NO OR DESCRIPTION	REVISED	DATE
A	PDR NO:T150707-1A	JTTLUCKY	2015.09.08



- SPECIFICATIONS:
- ELECTRICAL CHARACTERISTICS:
    - CURRENT RATING: 1.8A (PIN1,4) ; OTHER CONTACTS 0.25A
    - CONTACT RESISTANCE: 30mΩ MAX.
    - DIELECTRIC WITHSTANDING VOLTAGE: 100V AC FOR 1 MINUTE
    - INSULATION RESISTANCE: 100MΩ MIN
  - MECHANICAL CHARACTERISTICS:
    - INSERTION FORCE : 3.5 Kgf MAX
    - WITHDRAWAL FORCE : 1.0Kgf~2.5Kgf
  - DURABILITY: 5,000 CYCLES,
  - OTHER SPEC TO REFER USB 3.0 SPEC.
  - TO CONFORM TO SINGATRON HAZARDOUS SUBSTANCE FREE SPEC.
  - HALOGEN FREE PRODUCT IDENTIFICATION MARK : Ⓞ
  - HALOGEN FREE PRODUCT IDENTIFICATION LABEL ON PACKAGING:
  - FOR REFLOW SOLDERING LEAD-FREE PROCESS.
  - PACKAGING : TAPE & REEL.



Pin NO.	Signal Assignment
# 1	VBUS
# 2	D-
# 3	D+
# 4	PGND
# 5	SSRX-
# 6	SSRX+
# 7	GND
# 8	SSTX-
# 9	SSTX+



NO	DESCRIPTION	QTY	MATERIAL	PLATING & COLOR
F	REAR SHELL	1	SUS304,T=0.20	
E	TERMINAL	5	C5210-EH,T=0.25	GOLD 2u" OVER Pd/Ni 30u" ON CONTACT AREA, MATTE TIN 120u" ON SOLDE TAIL, ALL OVER 80u" NICKEL PLATED
D	TERMINAL	4	C5210-EH,T=0.25	
C	SHELL	1	SUS301,T=0.30	NICKEL 60u" MIN
B	HOUSING	1	PA9T+45%GF,UL94V-0	BLACK
A	BASE	1	PA9T+45%GF,UL94V-0	BLACK
UNLESS OTHERWISE SPECIFIED TOLERANCES				
DECIMALS: ANGLES:				
X	:±0.5	X	:±2°	
X.X	:±0.3	X.X	:±1°	
X.XX	:±0.2			
TITLE		USB3.0 REVRSE CONNECTOR		
DWN	JTTLUCKY	PART NO. 2UB2310-000171F		
CHKD	JAMES	SCALE 4:1	UNIT: mm	
APVD	BOYE	SIZE: A3	SHEET: 10F1	REV: A
CUSTOMER COPY				