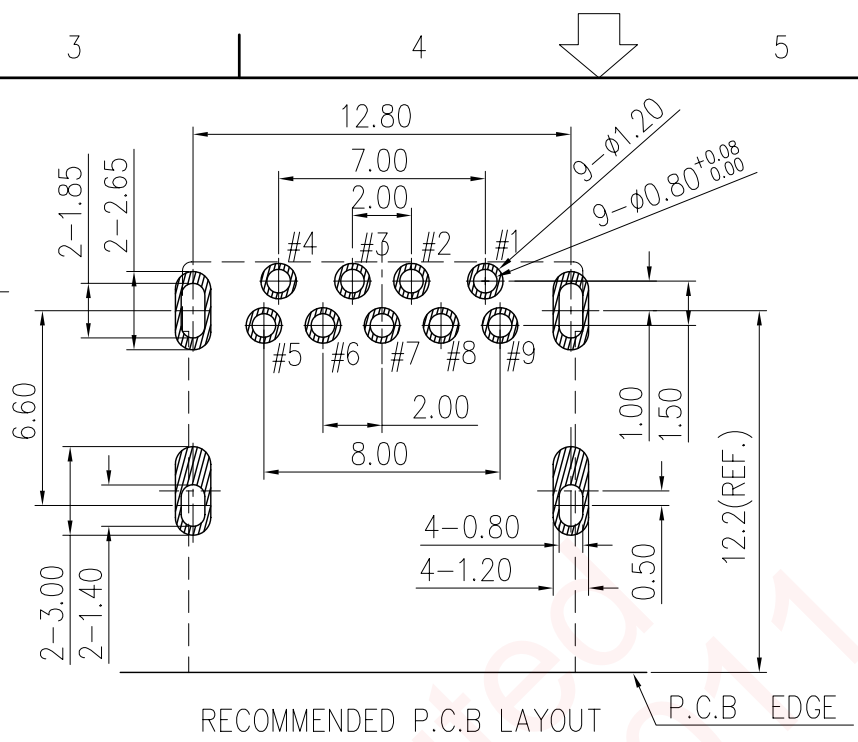
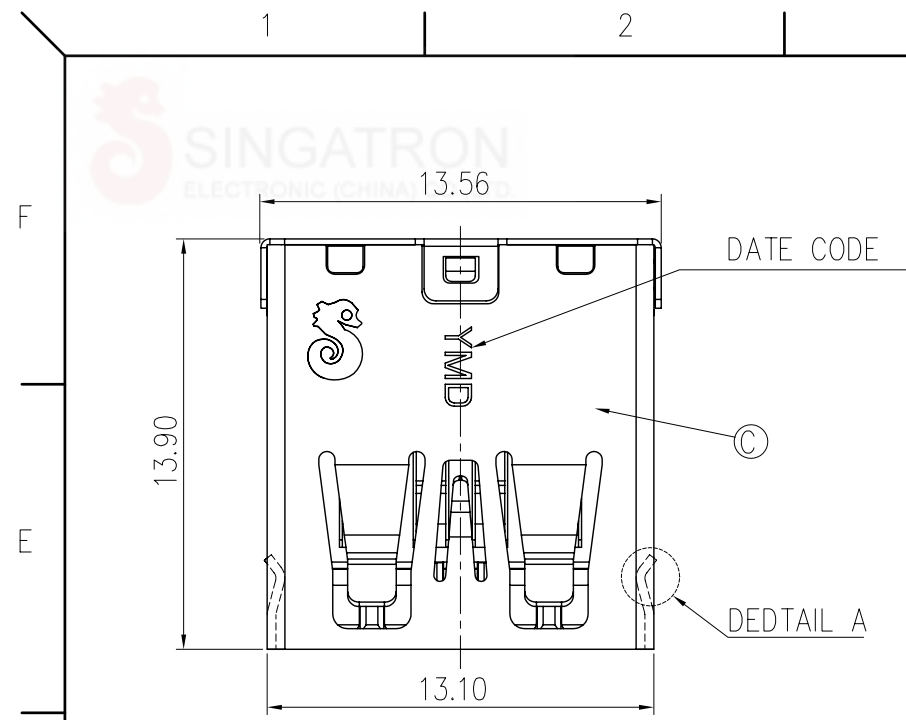


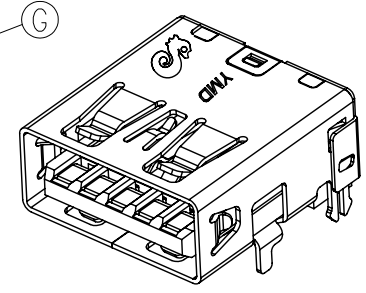
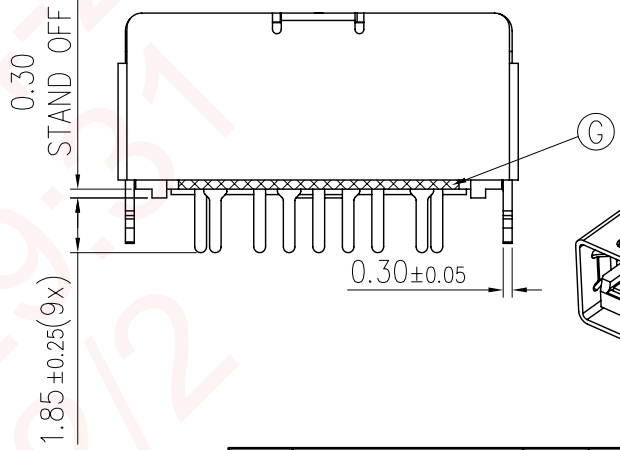
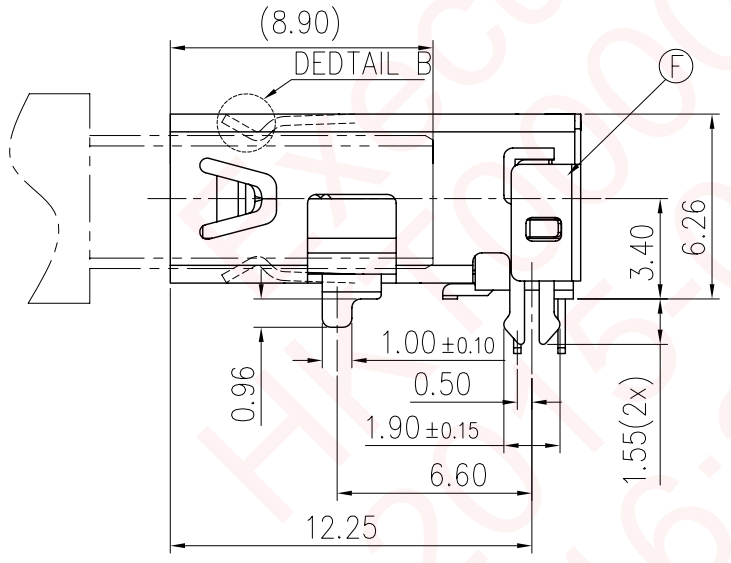
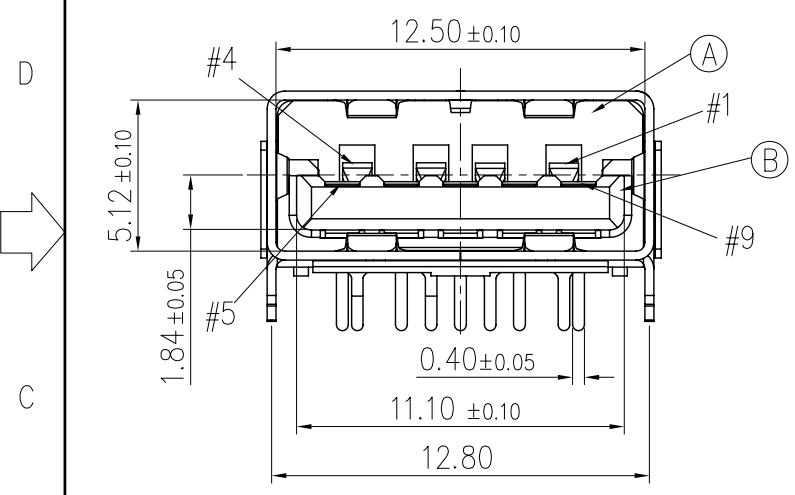


REV.	ECN NO OR DESCRIPTION	REVISED	DATE
A	PRODUCTED RELEASED	Junkang	2015.03.30

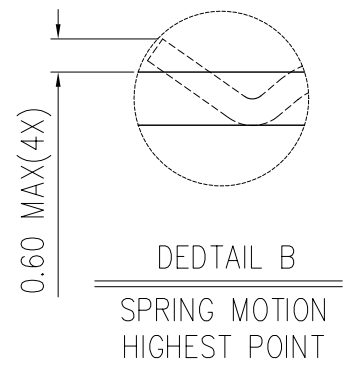
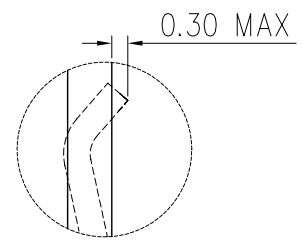
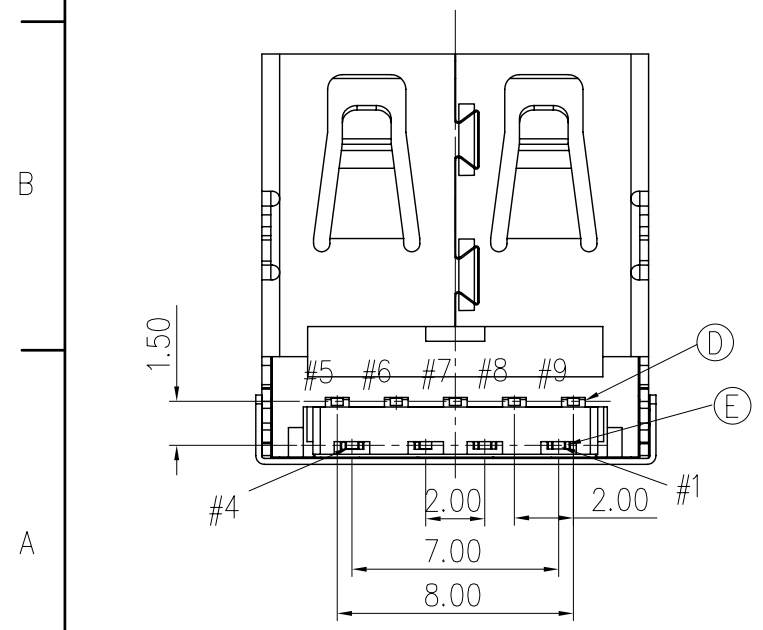


SPECIFICATIONS:

- ELECTRICAL CHARACTERISTICS:
 - CURRENT RATING: 1.8A (PIN1,4) ; OTHER CONTACTS 0.25A
 - CONTACT RESISTANCE: 30mΩ MAX.
 - DIELECTRIC WITHSTANDING VOLTAGE: 500V AC FOR 1 MINUTE
 - INSULATION RESISTANCE: 100 MEGOHMS BY 500V DC
- MECHANICAL CHARACTERISTICS:
 - INSERTION FORCE : 3.5 Kgf MAX.
 - WITHDRAWAL FORCE : 1.0 Kgf MIN.
- DURABILITY: 5,000 CYCLES,
- OTHER SPEC TO REFER "2UB2310-008111F" SPEC.
- TO CONFORM TO SINGATRON HAZARDOUS SUBSTANCE FREE SPEC.
- HALOGEN FREE PRODUCT IDENTIFICATION MARK : ☉
- HALOGEN FREE PRODUCT IDENTIFICATION LABEL ON PACKAGING:
- FOR REFLOW SOLDERING LEAD-FREE PROCESS.
- PACKAGING : TAPE & REEL.



Pin NO.	Signal Assignment
# 1	VBUS
# 2	D-
# 3	D+
# 4	PGND
# 5	SSRX-
# 6	SSRX+
# 7	GND
# 8	SSTX-
# 9	SSTX+



NO	DESCRIPTION	QTY	MATERIAL	PLATING & COLOR
G	MYLAR	1	MYLAR 0.075T	TRANSPARENT
F	REAR SHELL	1	SUS304-1/2H 0.20T	N/A
E	4P TERMINAL	4	PHOSPHOR BRONZE 0.25T	Au 30u" ON CONTACT AREA, MATTE Sn 60~120u" ON SOLDER TAIL, ALL OVER 80u" NICKEL PLATED
D	5P TERMINAL	5	PHOSPHOR BRONZE 0.25T	NICKEL 60u" MIN.
C	SHELL	1	SUS301-1/2H 0.30T	NICKEL 60u" MIN.
B	HOUSING	1	PA9T+30%GF UL94-HB	BLUE(300C)
A	BASE	1	PA9T+30%GF UL94-HB	BLUE(300C)

UNLESS OTHERWISE SPECIFIED TOLERANCES		Singatron Enterprise Co., Ltd. 信音企業股份有限公司	
DECIMALS:	ANGLES:	TITLE	USB3.0 REVRSE CONNECTOR
X : ±0.5	X : ±2°	DWN	Junkang-Zhong 15/4/22 PART NO. 2UB2310-008111F
X.X : ±0.3	X.X : ±1°	CHKD	Zhijun-Wei 15/4/22 SCALE 1:1 UNIT: mm
X.XX : ±0.2		APVD	Max-Mai 15/4/22 SIZE: A3 SHEET: 10F1 REV: A
		CUSTOMER COPY 2015/04/23	