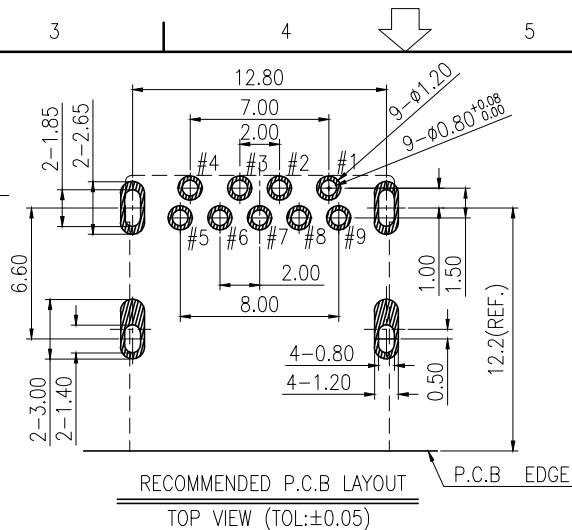
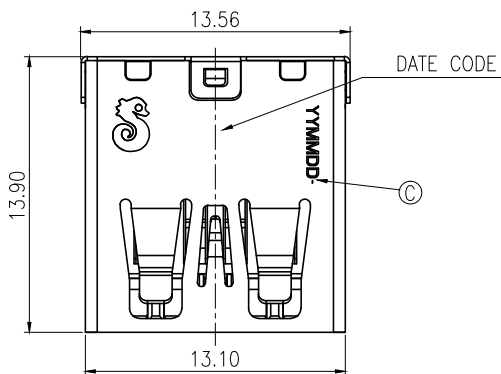


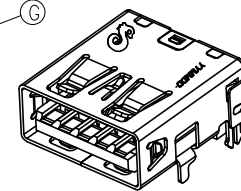
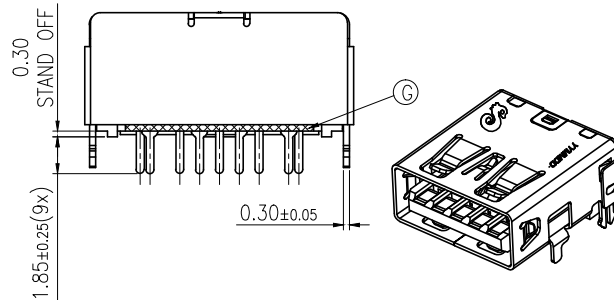
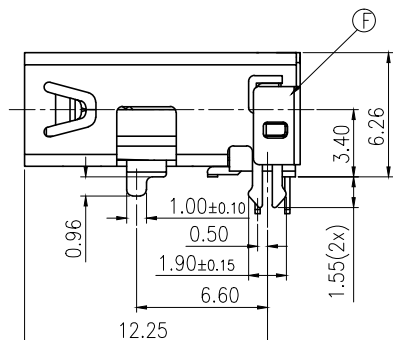
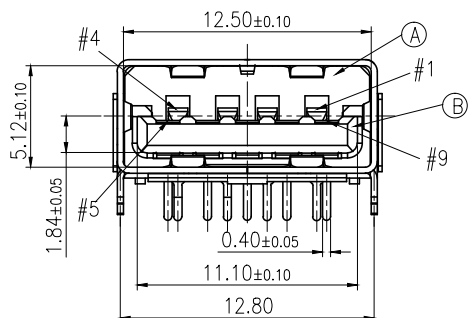
REV.	ECN NO OR DESCRIPTION	REVISED	DATE
A	PDR NO:T160608-2A	PENG	2016.11.15



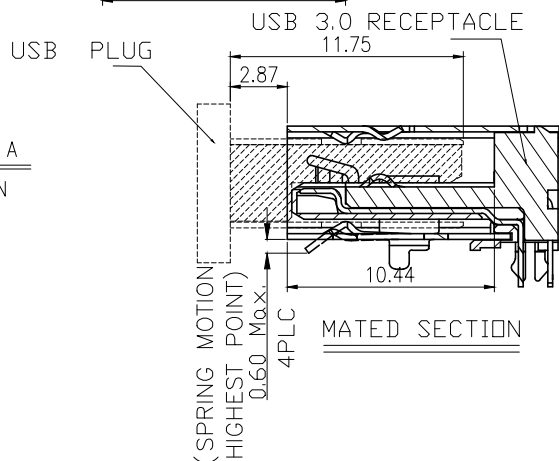
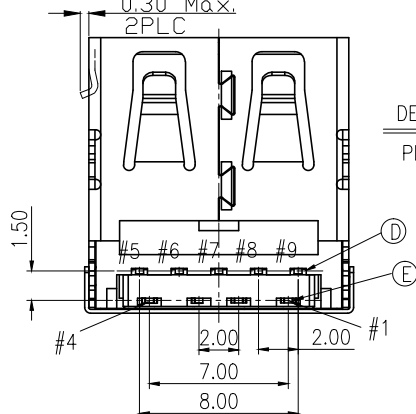
SPECIFICATIONS:

- ELECTRICAL CHARACTERISTICS:
  - CURRENT RATING: 1.8A (PIN1,4) ; OTHER CONTACTS 0.25A
  - CONTACT RESISTANCE: 30mΩ MAX.
  - DIELECTRIC WITHSTANDING VOLTAGE: 500V AC FOR 1 MINUTE
  - INSULATION RESISTANCE: 100 MEGOHMS BY 500V DC
- MECHANICAL CHARACTERISTICS:
  - INSERTION FORCE : 3.0 Kgf MAX.
  - WITHDRAWAL FORCE : 1.0 Kgf MIN.
- DURABILITY: 5,000 CYCLES,
- OTHER SPEC TO REFER "2UB2310-008111F" SPEC.
- TO CONFORM TO SINGATRON HAZARDOUS SUBSTANCE FREE SPEC.
- HALOGEN FREE PRODUCT IDENTIFICATION MARK :
- HALOGEN FREE PRODUCT IDENTIFICATION LABEL ON PACKAGING:
- FOR IR REFLOW PROCESS.
- PACKAGING : TAPE & REEL.

Pin NO.	Signal Assignment
# 1	VBUS
# 2	D-
# 3	D+
# 4	PGND
# 5	SSRX-
# 6	SSRX+
# 7	GND
# 8	SSTX-
# 9	SSTX+



(SPRING MOTION HIGHEST POINT)  
0.30 Max.



NO	DESCRIPTION	QTY	MATERIAL	PLATING & COLOR
G	MYLAR	1	MYLAR 0.075T	TRANSPARENT
F	REAR SHELL	1	SUS304-1/2H 0.20T	N/A
E	4P TERMINAL	4	C5210-EH 0.25T	G/F ON CONTACT AREA, MATTE Sn 60~120u" ON SOLDER TAIL, ALL OVER 80u" NICKEL PLATED
D	5P TERMINAL	5	C5210-EH 0.25T	
C	SHELL	1	SUS301-1/2H 0.30T	NICKEL 60u" MIN.
B	HOUSING	1	PA9T+45%GF UL94V-0	BLACK
A	BASE	1	PA9T+45%GF UL94V-0	BLACK

UNLESS OTHERWISE SPECIFIED TOLERANCES		Singatron Enterprise Co., Ltd. 信音企業股份有限公司	
DECIMALS:	ANGLES:	TITLE: USB3.0 REVERSE CONNECTOR	
X :±0.5	X :±2°	DWN: peng	PART NO. 2UB2310-013111F
X.X :±0.3	X.X :±1°	CHKD: james	SCALE 1:1 UNIT: mm
X.XX :±0.2		APVD: boye	SIZE: A3 SHEET: 10F1 REV:A
CUSTOMER COPY			