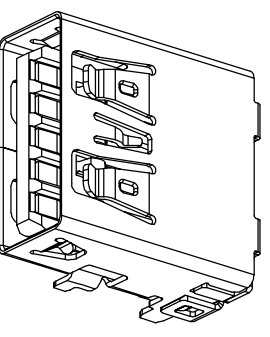
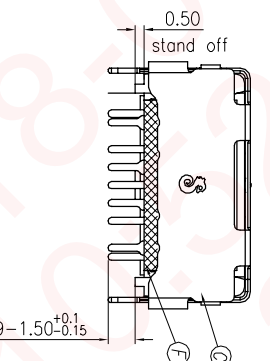
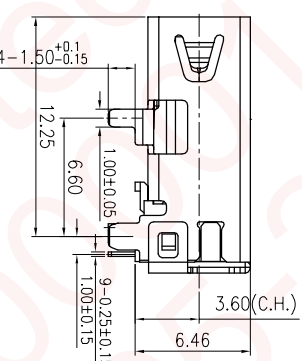
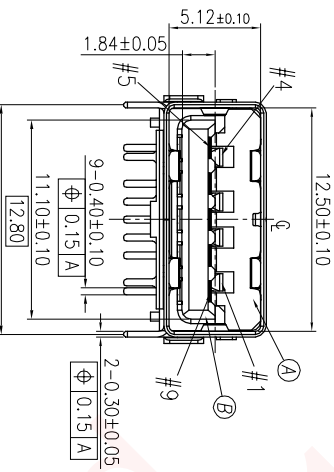
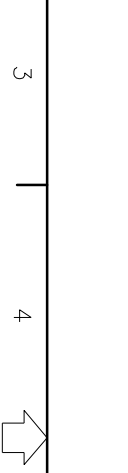
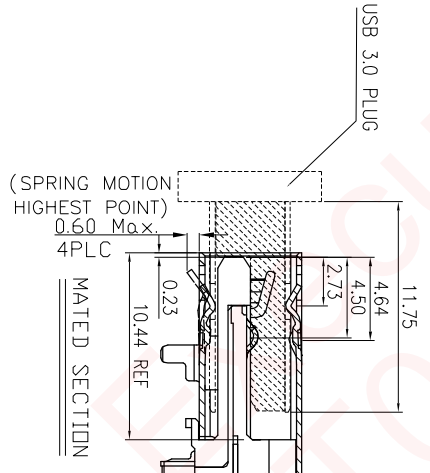
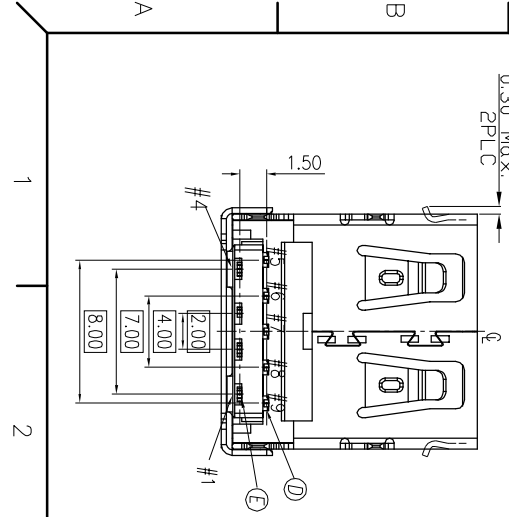


Recommended P.C.B. Layout T=1.40mm
Top View (Tol:±0.05)
P.C.B. EDGE



- SPECIFICATIONS:
- ELECTRICAL CHARACTERISTICS:
 - CURRENT RATING: 1.8A (Pin1-4) ; OTHER CONTACTS 0.25A
 - CONTACT RESISTANCE: 30mΩ MAX.
 - DIELECTRIC WITHSTANDING VOLTAGE: 100V AC FOR 1 MINUTE
 - INSULATION RESISTANCE: 100MΩ MIN
 - MECHANICAL CHARACTERISTICS:
 - INSERTION FORCE : 3.5 kgf MAX
 - WITHDRAWAL FORCE : 1.0 kgf MIN
 - DURABILITY: 5,000 CYCLES,
 - OTHER SPEC TO REFER USB 3.0 SPEC.
 - TO CONFORM TO SINGATRON HAZARDOUS SUBSTANCE FREE SPEC.
 - HALOGEN FREE PRODUCT IDENTIFICATION MARK : ☉
 - HALOGEN FREE PRODUCT IDENTIFICATION LABEL ON PACKAGING:
 - FOR REFLOW SOLDERING LEAD-FREE PROCESS.
 - PACKAGING : TAPE & REEL.



F	MYLAR	1	MYLAR 0.075I	YELLOW	# 9	SSTX+
E	4P TERMINAL	4	PHOSPHOR BRONZE 0.25I	1.24*±0.030* PLATED ON MATING AREA MATEL 50 100% PLATED ON SOLDERING 50% NICKEL UNDER PLATING OVERALL	# 1	VBUS
D	5P TERMINAL	5	PHOSPHOR BRONZE 0.25I		# 2	D-
C	SHELL	1	SUS304-1/2H 0.3I	NICKEL 60U" MIN	# 3	D+
B	HOUSING	1	PA9T+45%GF UL94V-0	BLUE 300C	# 4	PGND
A	BASE	1	PA9T+45%GF UL94V-0	BLUE 300C	# 5	SSRX-
NO	DESCRIPTION	QTY	MATERIAL	PLATING & COLOR	# 6	SSRX+
UNLESS OTHERWISE SPECIFIED TOLERANCES						
SINGATRON ENTERPRISE CO., LTD.						
信音企業股份有限公司						
TITLE: USB3.1 REVERSE CONNECTOR						
DWG: Chensong PART NO. ZUB2310-016111F						
CHKD: James SCALE 1:1 UNIT: mm						
APVD: Boye SIZE: A3 SHEET: 10F1 REV: A						
CUSTOMER COPY						

REV	ECN NO	OR DESCRIPTION	REVISED	DATE
A	PDR NO.: T180111-1A	Chensong	2018.05.14	