
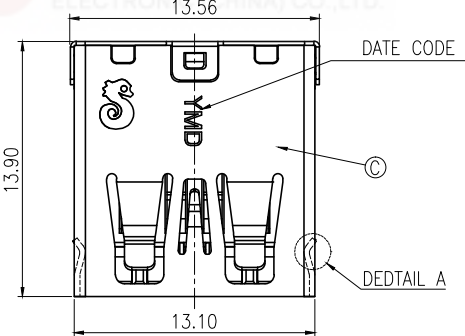
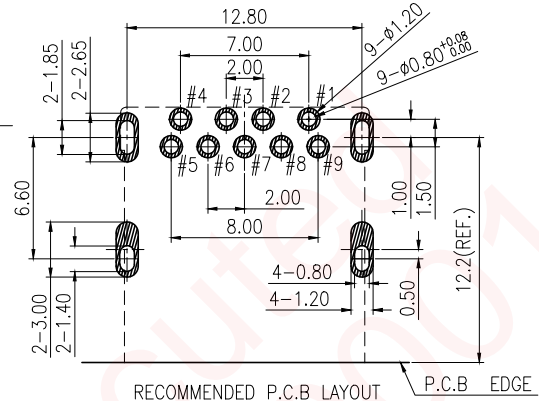


| REV. | ECN NO OR DESCRIPTION | REVISED | DATE |
|------|-----------------------|---------|------------|
| A | PRODUCTED RELEASED | Junkang | 2015.03.30 |
| B | ECN NO:S150908-C | PENG | 2015.10.14 |

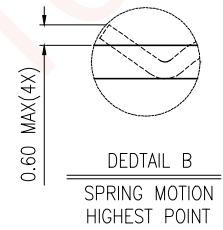
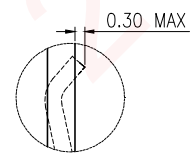
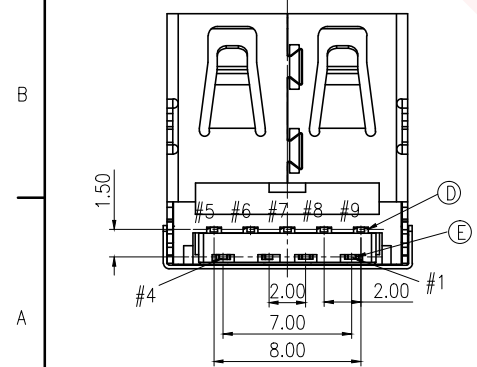
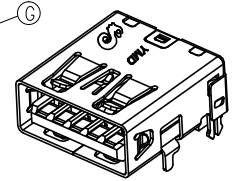
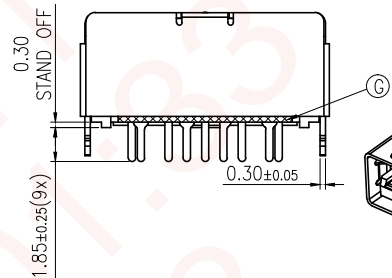
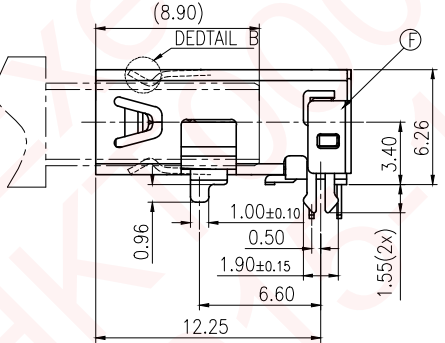
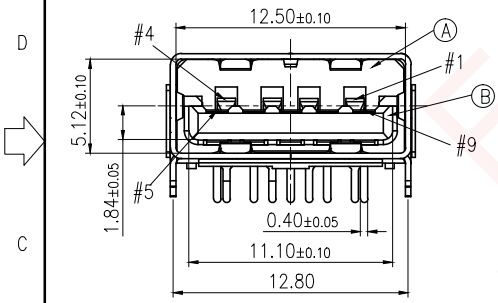
SPECIFICATIONS:

- ELECTRICAL CHARACTERISTICS:
 - CURRENT RATING: 1.8A (PIN1,4) ; OTHER CONTACTS 0.25A
 - CONTACT RESISTANCE: 30mΩ MAX.
 - DIELECTRIC WITHSTANDING VOLTAGE: 500V AC FOR 1 MINUTE
 - INSULATION RESISTANCE: 100 MEGOHMS BY 500V DC
- MECHANICAL CHARACTERISTICS:
 - INSERTION FORCE : 3.5 Kgf MAX.
 - WITHDRAWAL FORCE : 1.0 Kgf MIN.
- DURABILITY: 5,000 CYCLES,
- OTHER SPEC TO REFER "2UB2310-008111F" SPEC.
- TO CONFORM TO SINGATRON HAZARDOUS SUBSTANCE FREE SPEC.
- HALOGEN FREE PRODUCT IDENTIFICATION MARK : Ⓞ
- HALOGEN FREE PRODUCT IDENTIFICATION LABEL ON PACKAGING: 
- FOR REFLOW SOLDERING LEAD-FREE PROCESS.
- PACKAGING : TAPE & REEL.



RECOMMENDED P.C.B LAYOUT
TOP VIEW (TOL:±0.05)

| Pin NO. | Signal Assignment |
|---------|-------------------|
| # 1 | VBUS |
| # 2 | D- |
| # 3 | D+ |
| # 4 | PGND |
| # 5 | SSRX- |
| # 6 | SSRX+ |
| # 7 | GND |
| # 8 | SSTX- |
| # 9 | SSTX+ |



| NO | DESCRIPTION | QTY | MATERIAL | PLATING & COLOR |
|----|-------------|-----|--------------------|--|
| G | MYLAR | 1 | MYLAR 0.075T | TRANSPARENT |
| F | REAR SHELL | 1 | SUS304-1/2H 0.20T | N/A |
| E | 4P TERMINAL | 4 | C5210-EH 0.25T | Au 30u" ON CONTACT AREA, MATTE Sn 60~120u" ON SOLDER TAIL, ALL OVER 80u" NICKEL PLATED |
| D | 5P TERMINAL | 5 | C5210-EH 0.25T | |
| C | SHELL | 1 | SUS301-1/2H 0.30T | NICKEL 60u" MIN. |
| B | HOUSING | 1 | PA9T+45%GF UL94V-0 | BLUE(300C) |
| A | BASE | 1 | PA9T+45%GF UL94V-0 | BLUE(300C) |

| UNLESS OTHERWISE SPECIFIED TOLERANCES | | Singatron Enterprise Co., Ltd. 信音企業股份有限公司 | | |
|---------------------------------------|----------|--|--------------------------|-------------|
| DECIMALS: | ANGLES: | TITLE | USB3.0 REVRSE CONNECTOR | |
| X :±0.5 | X :±2° | DWN peng | PART NO. 2UB2310-008111F | |
| X.X :±0.3 | X.X :±1° | CHKD cerry | SCALE 1:1 | UNIT: mm |
| X.XX :±0.2 | | APVD liao | SIZE: A3 | SHEET: 10F1 |
| | | | | REV: B |
| | | | CUSTOMER COPY | |