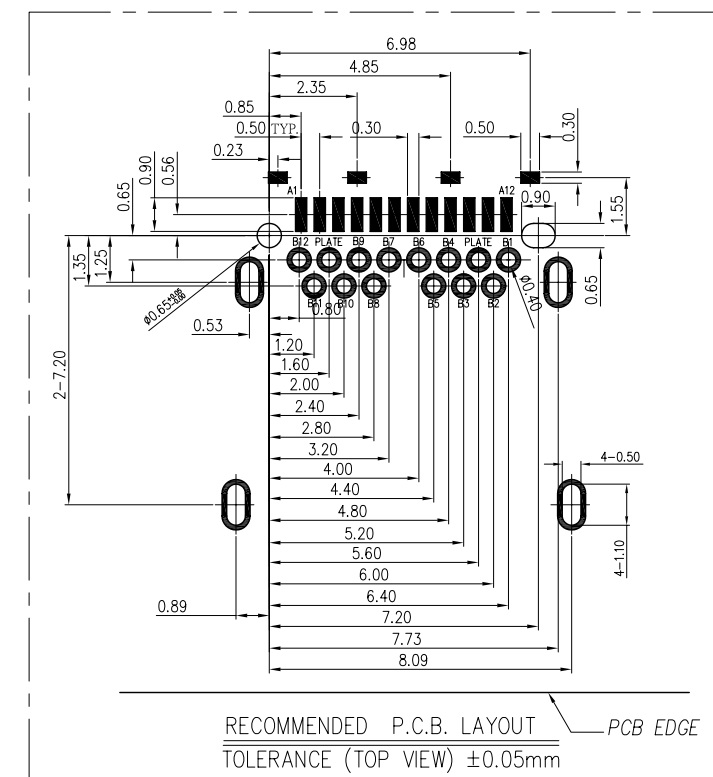
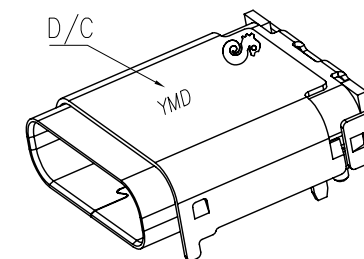
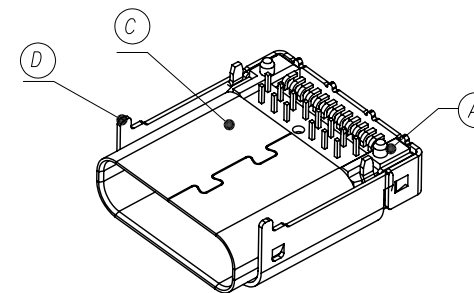
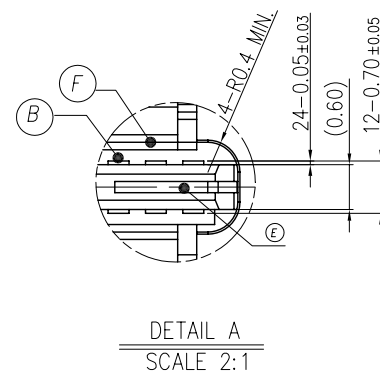
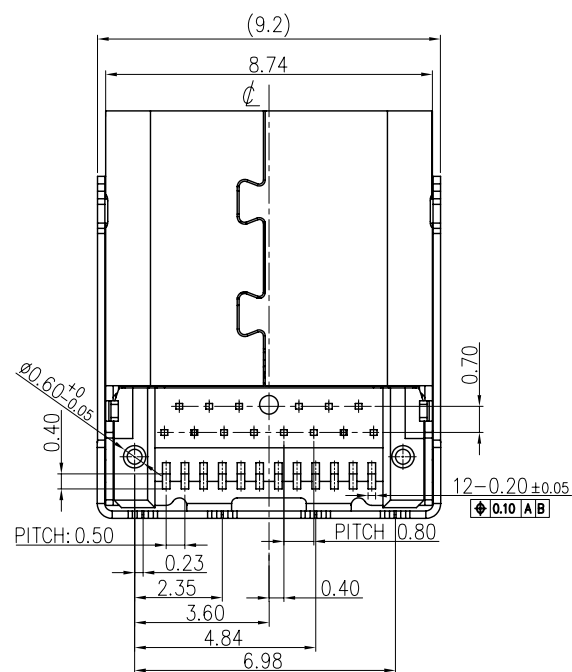
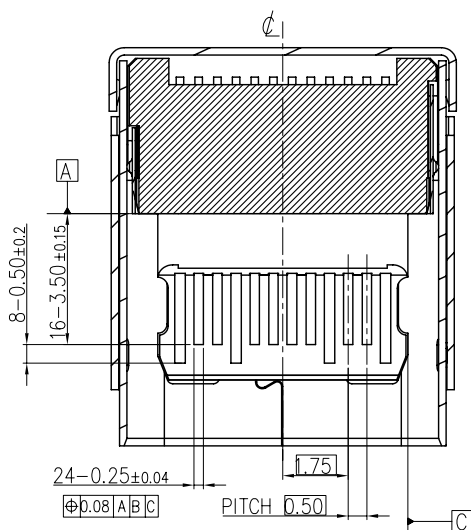
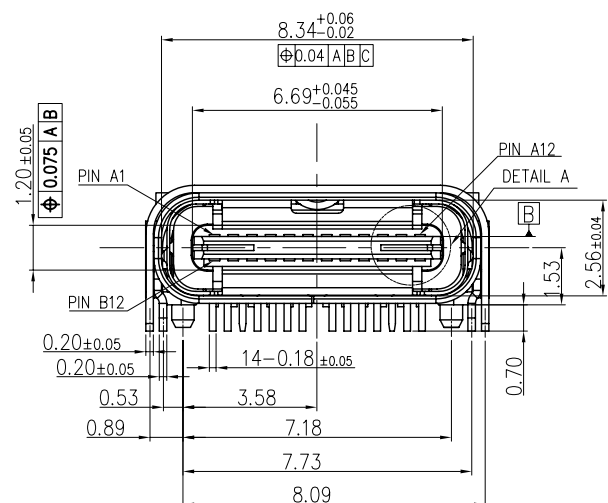
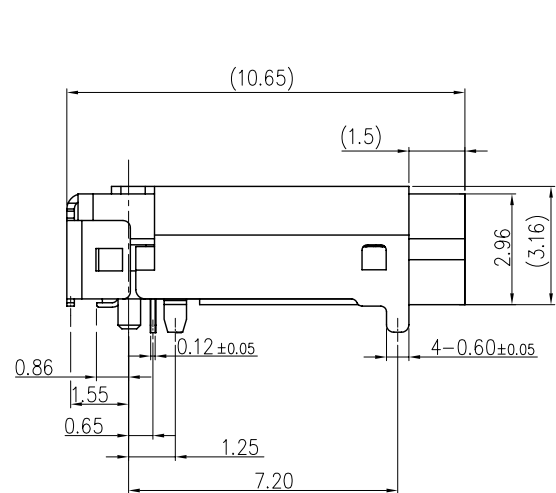


REV.	ECN NO OR DESCRIPTION	REVISED	DATE
A	PDR NO: T141103-4A	Stone	2016/11/24



USB TYPE C PIN ASSIGNMENTS:

PIN No.	SIGNAL NAME	PIN NUMBER
A1	GND	B12
A2	SSTXp1	B11
A3	SSTXn1	B10
A4	Vbus	B9
A5	CC1/SBU2	B8
A6	Dp1/Dn2	B7
A7	Dn1/Dp2	B6
A8	SBU1/CC2	B5
A9	Vbus	B4
A10	SSRXn2	B3
A11	SSRXp2	B2
A12	GND	B1

1.ELECTRICAL CHARACTERISTICS:

- 1-1.LLCR :
 - VBUS&GND PINS: 40mΩ /PIN MAX.
 - OTHER PINS: 40mΩ /PIN MAX.
 - LLCR MAX. CHANGE OF ALL PINS: 10mΩ.
- 1-2.CURRENT RATING: 5.0A MAX.
- 1-3.VOLTAGE RATING: 20.0V
- 1-4.INSULATION RESISTANCE: 100mΩ MIN.
- 1-5.ENVIRONMENTAL PERFORMANCE:
 - OPERATING TEMPERATURE: -55°C~+85°C

2.MECHANICAL CHARACTERISTICS:

- 2-1.INSERTION FORCE: 0.5~2.0kg.
- 2-2.WITHDRAWAL FORCE: 0.8~2.0kg(INITIAL VALUE)
0.6~2.0kg (AFTER LIFE TEST)

3.DURABILITY: 10,000CYCLES

4.TO CONFORM TO THE SINGATRON HAZARDOUS SUBSTANCE FREE SPEC.

5.HALOGEN FREE PRODUCT IDENTIFICATION LABEL ON PACKAGING:

6.PACKAGE: SEE "2UB2C01-000111F" PACKAGE.

7.FOR REFLOW SOLDERING LEAD-FREE PROCESS

8.OTHER GENERAL SPEC.TO REFER "2UB2C01-000111F SPEC."

NO	DESCRIPTION	QTY	MATERIAL	PLATING & COLOR
F	GND RING	1	STAINLESS STEEL	
E	PLATE	1	STAINLESS STEEL	NICKEL PLATING
D	COVER	1	STAINLESS STEEL	NICKEL PLATING
C	SHELL	1	STAINLESS STEEL	NICKEL PLATING
B	CONTACT	24	COPPER ALLOY	AU 2u"+Pd-Ni 30u" ON CONTACT AREA AND GOLD FLASH ON SOLDER AREA ALL OVER NICKEL PLATING
A	HOUSING	1	HIGH TEMP. THERMOPLASTIC UL 94V-0	BLACK
UNLESS OTHERWISE SPECIFIED TOLERANCES		Singatron Enterprise Co., Ltd. 		
DECIMALS: ANGLES:		TITLE: USB Type-C Connector		
X : ±0.5	X : ±2°	DWN	Stone-Zhu 16/12/12	PART NO. 2UB2C01-000111F
X.X : ±0.3	X.X : ±1°	CHKD	Zjz-Zhou 16/12/12	SCALE : 1 UNIT: mm
X.XX : ±0.2		APVD	Max-Mai 16/12/12	SIZE: A3 SHEET: 1 OF 1 REV: A
CUSTOMER COPY				